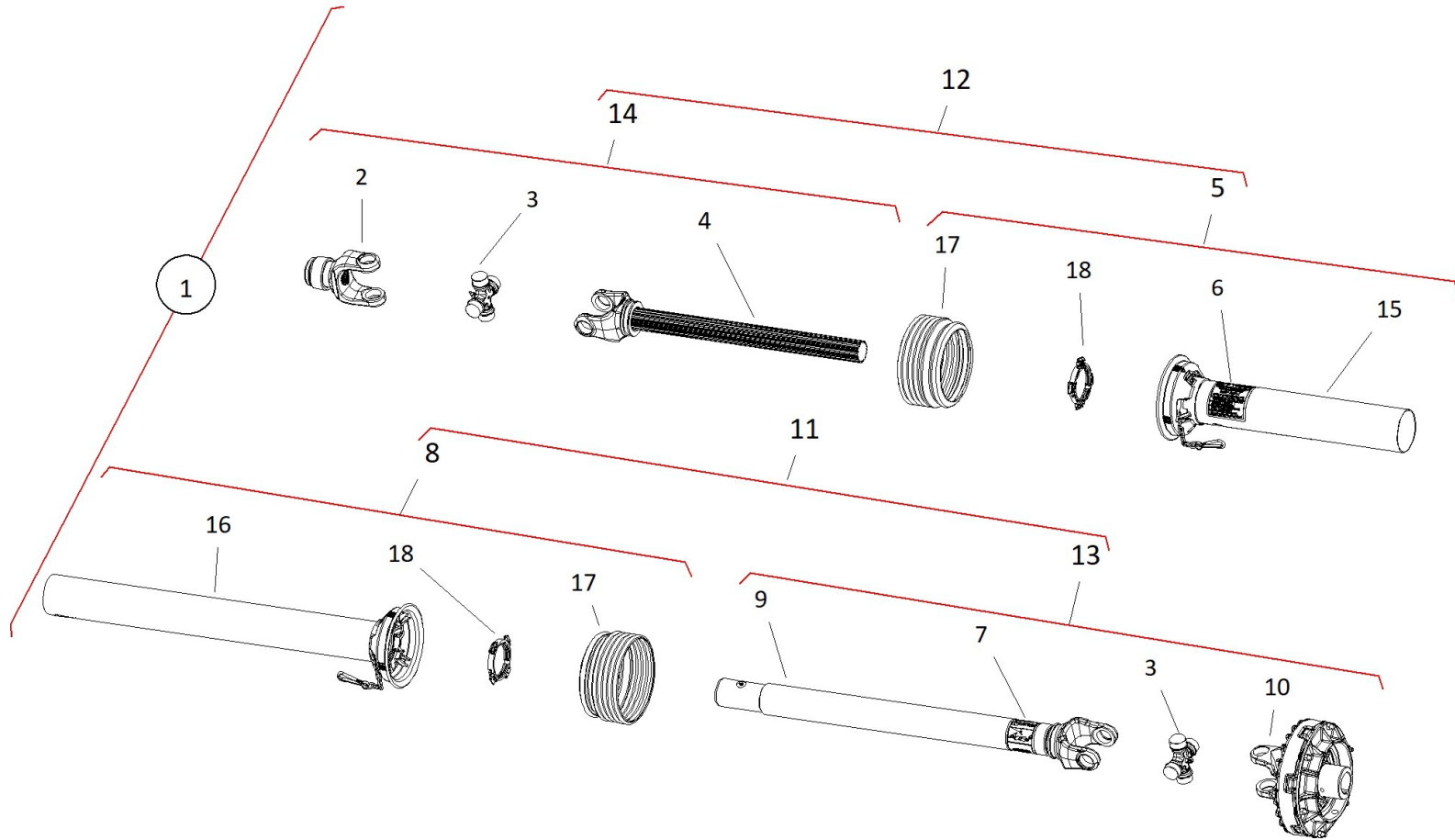




PARTS MANUAL

GRAINVAC VR12

VR12 PTO SHAFT (WEASLER)

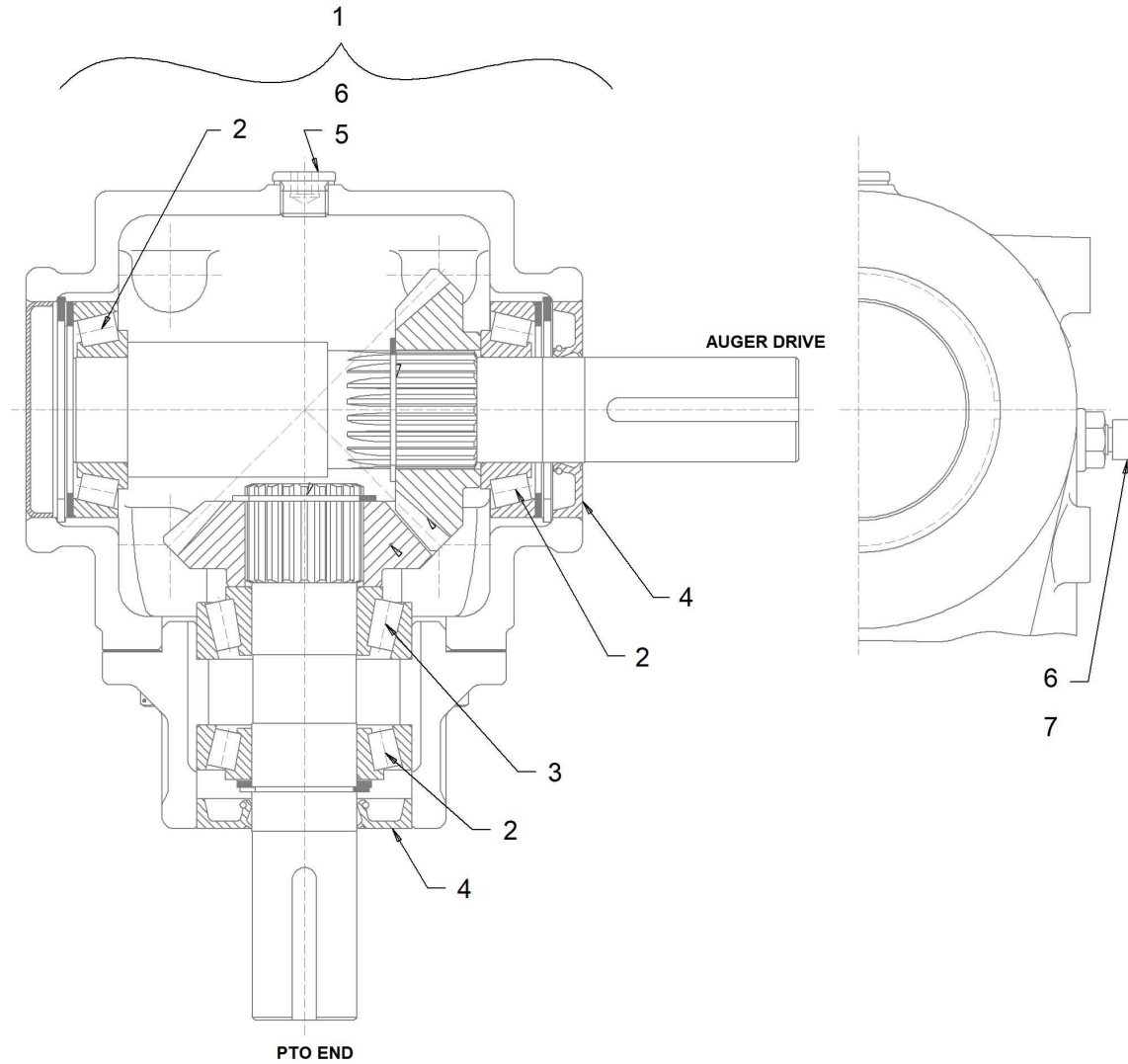




VR12 PTO SHAFT (WEASLER)

Item No.	Part No.	Description	Note	Qty.
1	P7100-37-0983	PTO 1-3/8 21SPL TO 1-3/4 RND - VR12		1
2	P7100-11-1007	SAFETY SLIDE LOCK YOKE ASSM - 21 SPLINE 1-3/8" SHAFT		1
3	P7100-03-15214	44E CROSS KIT		2
4	P7100-99-25749	TRACTOR END SHAFT	SEE LINE #11	1
5	P7100-97-25749	OUTTER GUARD		1
6	P7100-13-10021	SAFETY SIGN		1
7	P7100-13-10022	SAFETY SIGN		1
8	P7100-96-25749	INNER GUARD		1
9	P7100-98-25749	YOKE, TUBE & SLIP SLEEVE	SEE LINE #10	1
10	P7100-38-15140	FRICTION OVERRUNNING CLUTCH ASM.	SEE LINE #10	1
11	P7100-92-26548	JOINT & TUBE HALF ASM W GUARD		1
12	P7100-93-26548	JOINT & SHAFT HALF ASM W GUARD		1
13	P7100-94-26548	JOINT & TUBE HALF ASM.	SEE LINE #10	1
14	P7100-95-26548	JOINT & SHAFT HALF ASM.	SEE LINE #11	1
15	P7100-37-0984	OUTTER GUARD TUBE W CHAIN	SEE LINE #4	1
16	P7100-37-0985	INNER GUARD TUBE W CHAIN	SEE LINE #7	1
17	P7100-36-HX050	GUARD CONE		1
18	P7100-04-15154	GUARD FASTENING CLIP		1
19	P7100-93-25749	JOINT & SHAFT HALF W 1-3/4 - 20SPL		1
20	P7100-38-0983	1-3/8" 21 SPLINE PTO ASSEMBLY COMPLETE		1

VR12 GEARBOX (PARTS ARE WALTERSCHEID ONLY)

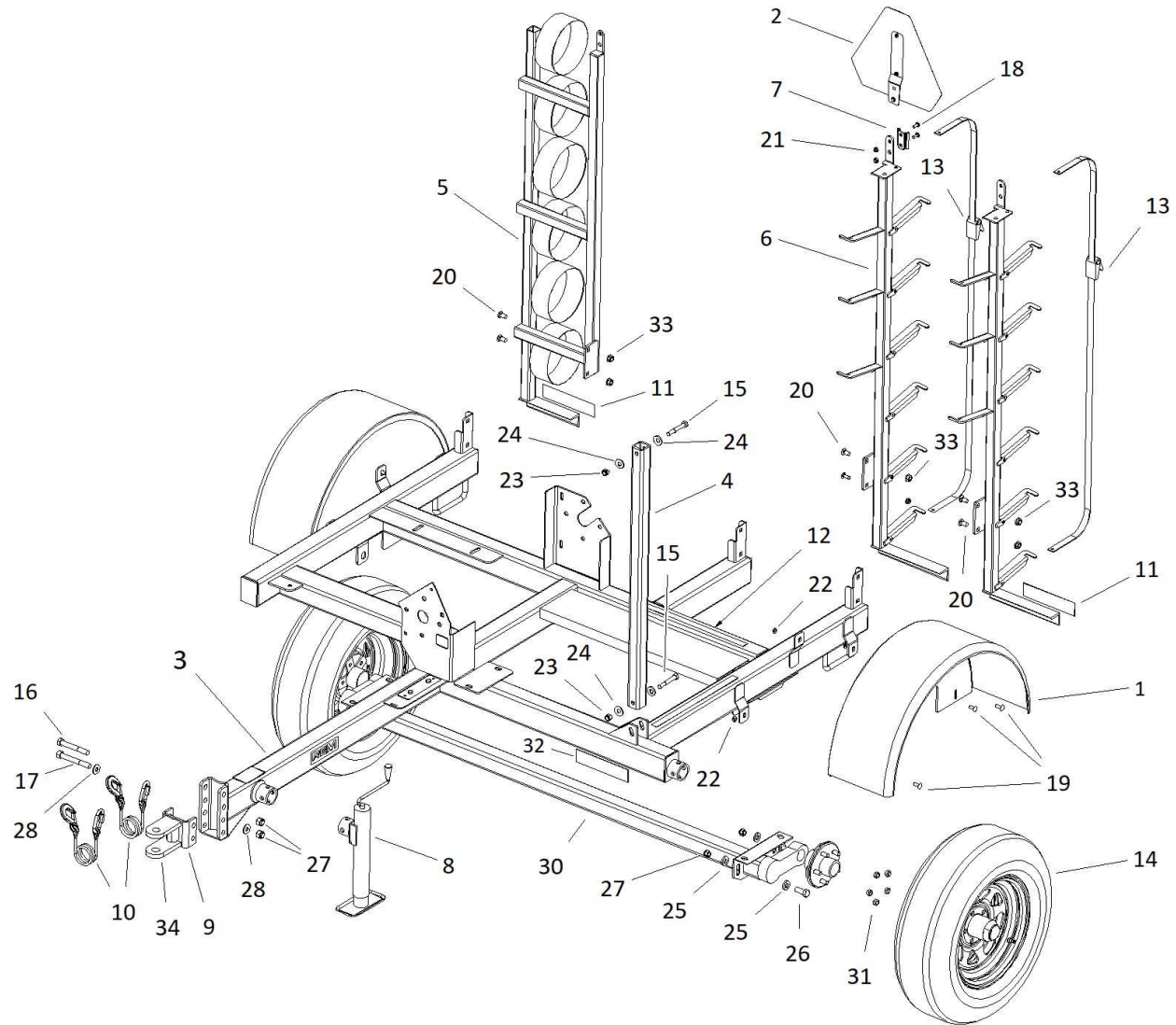




VR12 GEARBOX (PARTS ARE WALTERSCHEID ONLY)

Item No.	Part No.	Description	Qty.
1	P0361066	GEARBOX 1:1 27 VRX	1
2	P7500-38-4544	DNR - BEARING - TAPERED ROLLER	3
3	P7500-38-4545	DNR - BEARING-TAPERED ROLLER	1
4	P7500-38-4546	DNR - SEAL - RADIAL SHAFT	2
5	P7500-38-4547	PLUG-HEX SOCKET M16 X 1.5	1
6	P7500-38-4548	OBS SEAL-COPPER 16 X 20	2
7	P7500-38-4549	OBS - BREATHER - GEARBOX VENT	1

VR12 FRAME AND HOSE RACK ASSEMBLY





VR12 FRAME AND HOSE RACK ASSEMBLY

Item No.	Part No.	Description	Note	Qty.
1	P3703-04-0083	PLASTIC FENDER	If replacing a steel fender, then it must be sold with 45-113411	2
2	38-112274	SMV EMBLEM ASSEMBLY		1
3	45-113102	FRAME VR12		1
4	45-112939	STRUT TUBE		1
5	45-113105	HOSE RACK LH VR12		1
6	45-113176	HOSE RACK M/RH VR12		2
7	P0046-00-0001	BRACKET SMV SIGN MOUNT		1
8	P0485-00-0003	JACK-TOP SCREW 2000#		1
9	45-113319	HITCH WELD VR		1
10	P0711150	COIL TOW CABLE 36"		2
11	P1513124	REFLECTOR - RED 2"X9"		2
12	P3760-02-0003	ANTISLIP ABRASIVE TAPE 1"		2
13	P3902-00-0003	RATCHET STRAP 10' (RED)		4
14	P3910-32-0019	TIRE ASSY ST205 75/R15		2
15	P0118019	BOLT 1/2" X 3-1/2" GR8 PLATED		2
16	P0118072	BOLT 5/8" X 5 1/2" GR8 PLATED		1
17	P0118073	BOLT 5/8" X 6" GR8 PLATED		1
18	P0113019	BOLT CARRIAGE 5/16"X1"PLATED		2
19	P0113015	BOLT CARRIAGE 3/8"X1" PLATED		6
20	P0113021	CARRIAGE BOLT 1/2"X1" PLATED		6
21	P0134105	LOCKNUT-TENSILOCK-5/16"		2
22	P0134106	LOCKNUT-TENSILOCK-3/8"		6
23	P0134008	LOCKNUT-NYLON-1/2" GRADE 8		2
24	P0151029	WASHER FLAT 1/2"PLATED USS		4
25	P5011-00-0003	WASHER 5/8"ID X 1-5/16 OD		4
26	P2219590	BOLT 5/8"X1-1/2" GR8		4
27	P01340101	LOCKNUT-NYLON-5/8" GRADE 8		2
28	P0151011	WASHER 5/8 FLAT USS		2
30	P7417-01-0006	AXLE ASSY TORFLEX 3500#		1



VR12 FRAME AND HOSE RACK ASSEMBLY

Item No.	Part No.	Description	Note	Qty.
31	P4060-F2-0500	WHEEL NUT 1/2 UNF PLTD		10
32	P1513123	REFLECTOR - AMBER 2"X9"		1
33	P0134108	LOCKNUT-TENSILOCK-1/2"		6
34	45-113333	HITCH VR RETROFIT		1



VR12 BODY ASSEMBLY

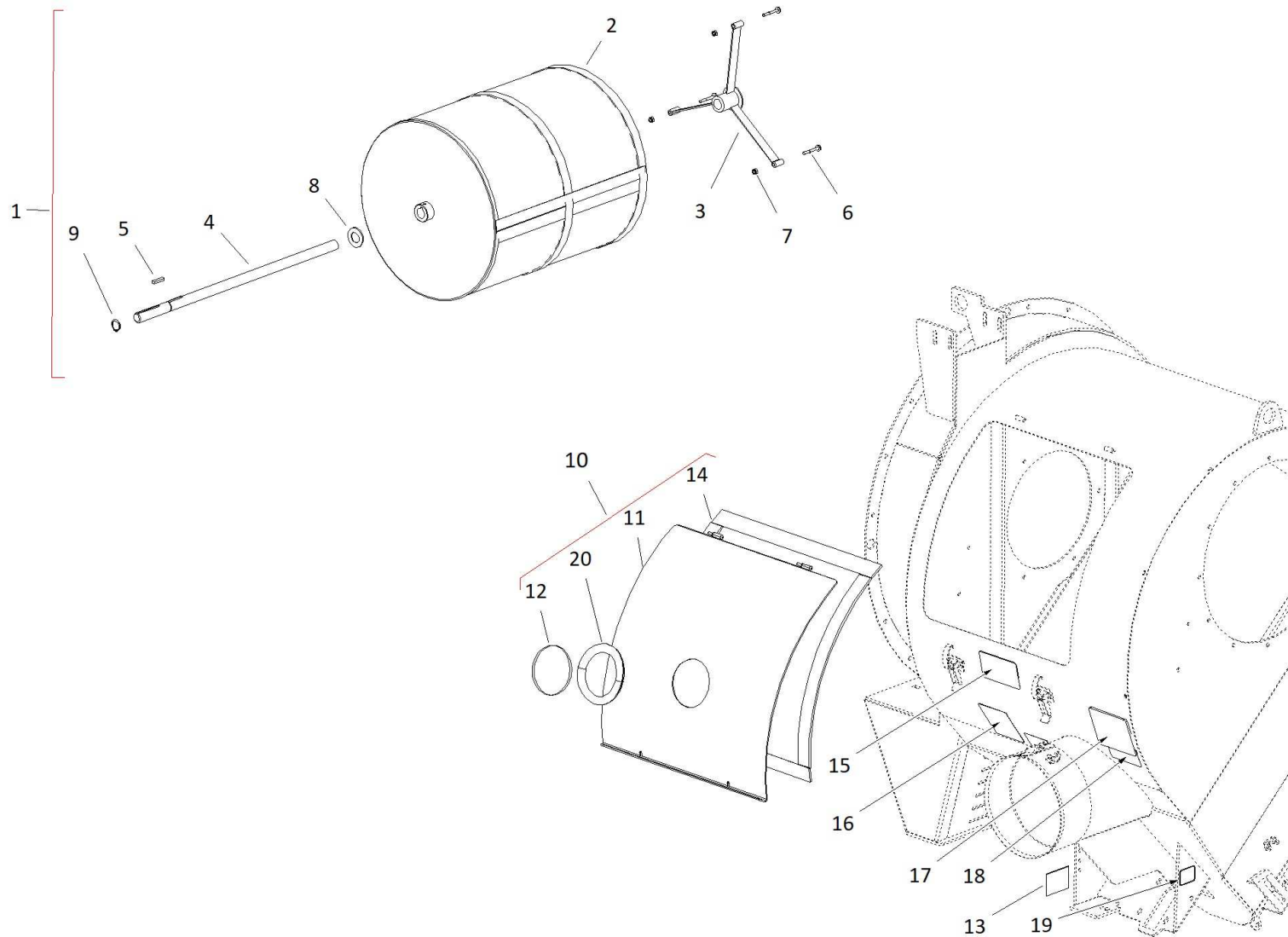
Item No.	Part No.	Description	Note	Qty.
1	P0113024	BOLT CARRIAGE 1/2"X1-3/4"PLATED F/T		4
2	P0134108	LOCKNUT-TENSILOCK-1/2"		8
3	P0134106	LOCKNUT-TENSILOCK-3/8"		34
4	P0162012	PIN HITCH 1/4" X 1-3/4" WIRE LOCK		1
5	P0115205	BOLT FLANGE 3/8 X 1" PLATED		22
6	P0115200	FLANGE BOLT 1/2 X 1-1/4" PLATED		4
7	P4065-22C0520	1/2" - 13 X 2" TAP BOLT		8
8	P0118016	BOLT 1/2" X 2" GR8 PLATED		4
9	P0115046	BOLT 3/8" X 1" GR5 PLATED		17
10	45-113103	BODY VR12		1
11	45-113225	BLOWER BASE VR12		1
12	45-112963	HANDLE CLEAN OUT		1
13	P0115204	BOLT FLANGE 1/4" X 3/4" PLATED		1
14	45-113054	CLEAN OUT HANDLE GUIDE		1
15	P3703-04-0039	CLEANOUT SLIDER		1
16	P0134104	LOCKNUT-TENSILOCK-1/4"GR5(10-19594)		5
17	P0115119	BOLT FLT HD SOCKET 1/4 X1" GR5		2
18	45-112943	CLEANOUT BOX (KANBAN)		1
19	P0163014	PIN LYNCH 1/4" X 1-1/4"		2
20	P2391-00-0002	PULL RING - W/200 MM DIA GASKET		1
22	38-112415	OBS-OBS EXHAUST TUBE 8"	PRIOR TO 2019	1
23	38-112417	RAIN LID 8" X 45 DEGREE	PRIOR TO 2019	1
24	38-112418	RAIN LID 8"		1
25	P0118053	BOLT 3/8" X 3" GR8 PLATED		1
26	P0134026	LOCKNUT-NYLON-3/8" GR 8 (10-17402)		1
27	P3890-00-0025	NEOPRENE GASKET INSP. WINDOW		1
28	P0115207	FLANGE BOLT 3/8 X 1-1/4 GR 5		8
29	45-113308	VR12 INSP DOOR WEAR WELD		1
30	38-112683	CRADLE 2700 (KANBAN)		1



VR12 BODY ASSEMBLY

Item No.	Part No.	Description	Note	Qty.
31	45-113246	CRADLE BRACKET VR12		1
32	P0184041	CLAMP TENSION, LATCH071		2
33	P0184040	TENSION CLAMP, SPACER		2
34	P0113022	BOLT CARRIAGE 1/4" X 3/4" GR 5		6
35	45-113148	PLUG INLET ASSY VR12		1
36	P5195-02-8013	HANDLE HOSE CLAMP 8"		1
37	P0134023	LOCKNUT-NYLON-1/4" GR8		4
38	P0113026	CARRIAGE BOLT 1/4"X2" PLATED F/T		1
39	P5195-01-7012	HOSE CLAMP ADJUSTER		1
40	P0134027	LOCKNUT-NYLON-5/16" GRADE 8		1
41	45-113247	REDUCER 7"F - 8"M VR12		1
42	38-112416	RAIN LID ASSY 8"	PRIOR TO 2019	1
43	P6745-02-0018	LANYARD LOOP & LOOP 12" L		1
44	45-113272	INSPECTION DOOR ASSY VR12		1
45	45-113139	ROTOR ASSY VR12		1
46	38-108401	CHAMFER NOZZLE ASSY 7"		1
47	45-113322	EXHAUST TUBE WELD 8"	2019 AND LATER	1

VR12 SMALLER ASSEMBLIES

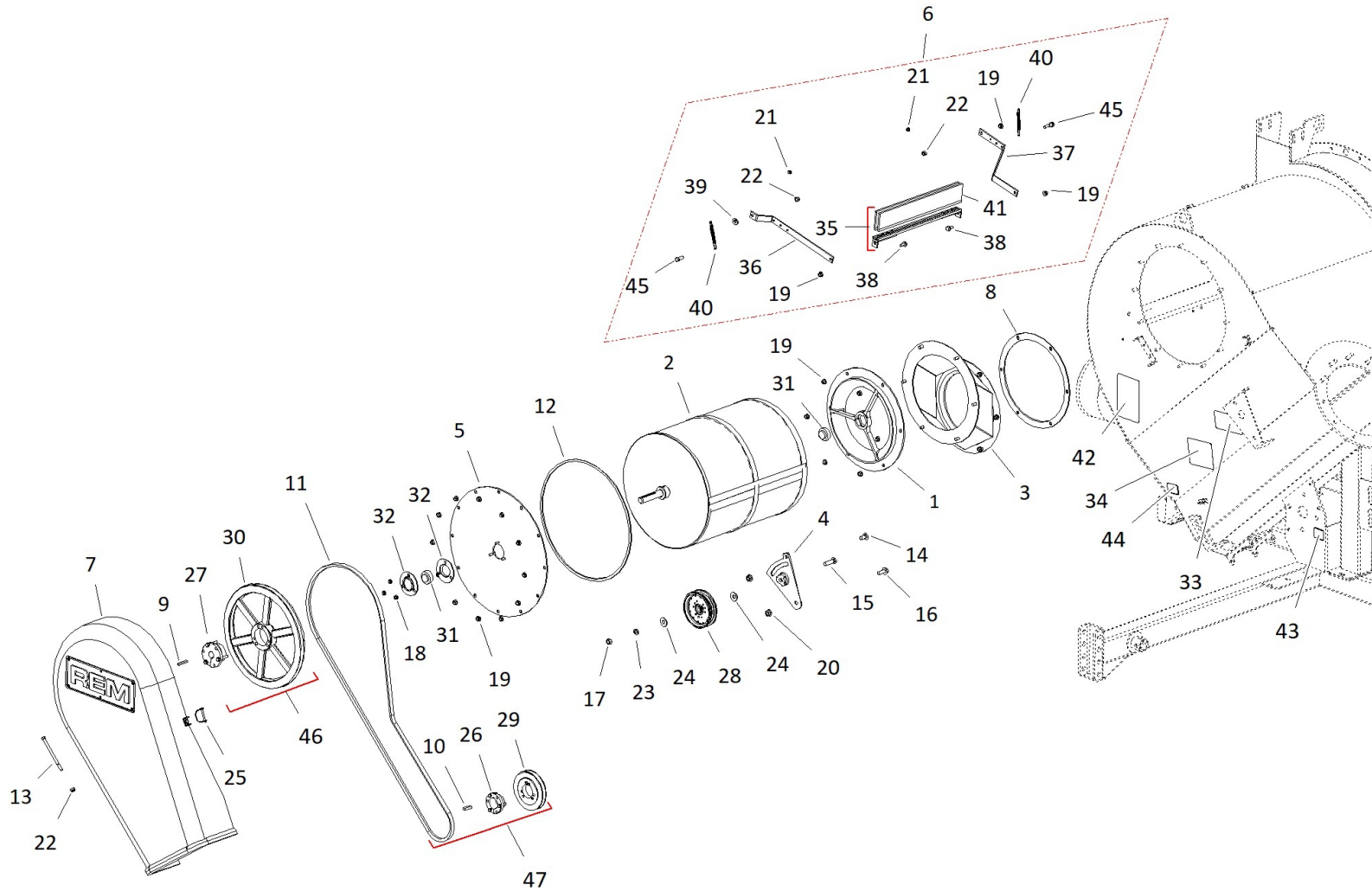




VR12 SMALLER ASSEMBLIES

Item No.	Part No.	Description	Note	Qty.
1	38-112360	2700 DRUM ASSY - NO BAFFLE		1
2	38-111495	VRX / 2700 DRUM		1
3	38-111498	DRUM CENTER WELD (KANBAN)		1
4	P38-111509	2700 DRUM SHAFT		1
5	P0391010	KEY 1/4 X 1/4 X 1-3/8"		1
6	P0115203	BOLT FLANGE 1/4 X 2" PLATED F/T		3
7	P0134023	LOCKNUT-NYLON-1/4" GR8		3
8	P0151027	WASHER FLAT 1"SAE		1
9	P5860-30-0100	RETAIN RING EXT 1" OD		1
10	45-113272	INSPECTION DOOR ASSY VR12		1
11	45-113064	INSPECTION DOOR	SEE LINE #10	1
12	P0079-00-0005	GLASS WINDOW 4-7/8"		1
13	P3400-00-0010	SERIAL PLATE - 2700 GV		1
14	P3890-00-0004	NEOPRENE (25FT ROLL) 1/4 X 1 1/2	SOLD IN 25 FT ROLLS BY THE FOOT	1
15	P1513108	DECAL DANGER SUCT/ROT PART		1
16	P1513110	DECAL DANGER ROTATING FLIGHTING		1
17	P1513109	DECAL DANGER SUFFOCATE		1
18	P1513103	DECAL CAUTION EAR PROTECTION		1
19	P1513100	DECAL 100 HOUR GREASE		1
20	55-111636	INSPECTION DOOR RUBBER		1

VR12 FRONT DRIVE AND DRUM ASSEMBLY





VR12 FRONT DRIVE AND DRUM ASSEMBLY

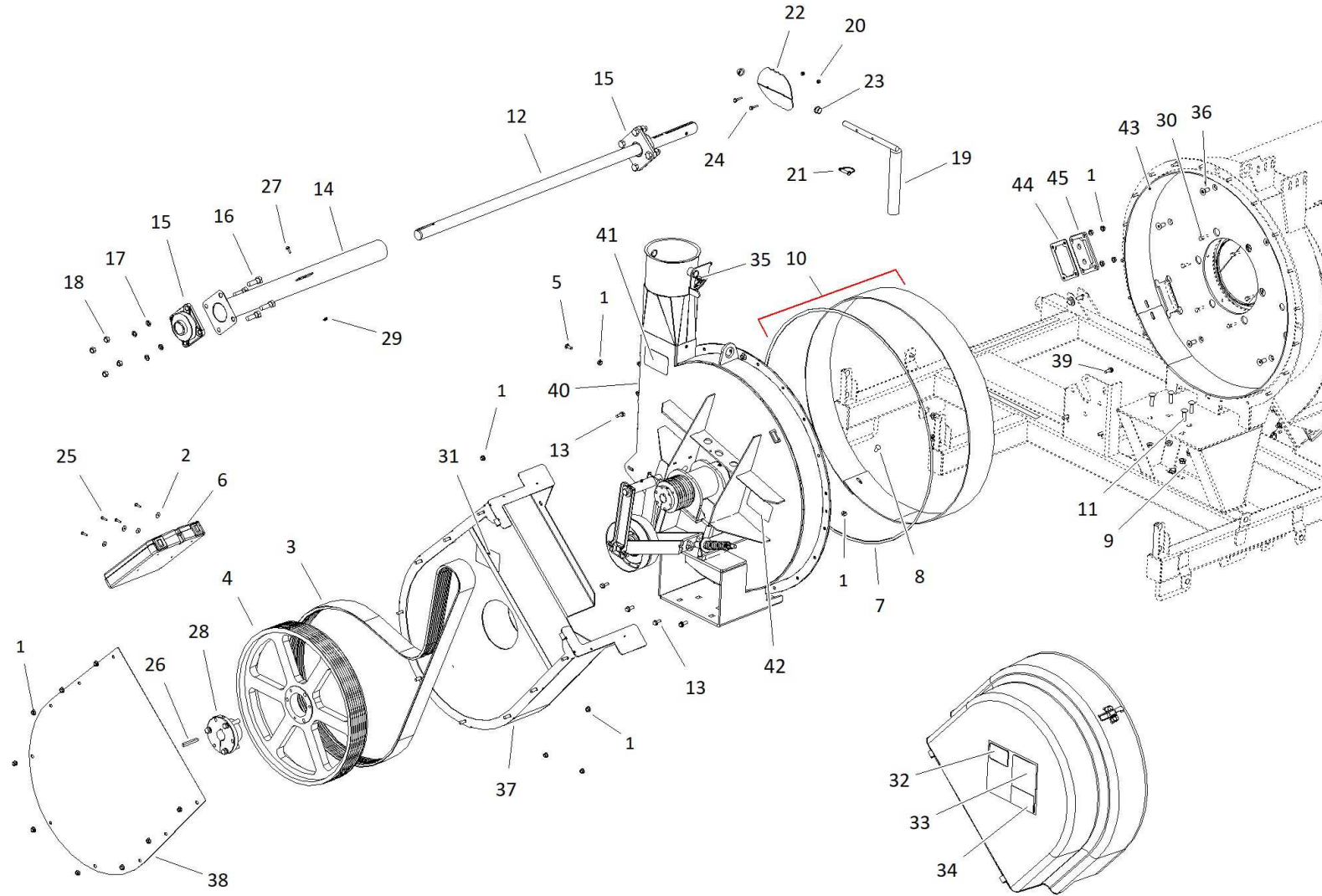
Item No.	Part No.	Description	Note	Qty.
1	38-111496	2700 MACHINED INLET W BEARING		1
2	38-112360	2700 DRUM ASSY - NO BAFFLE		1
3	45-113104	TRANSITION CONE VR12		1
4	45-113253	DRUM IDLER VR12		1
5	45-112979	FRONT PLATE DRUM		1
6	45-113221	BRUSH KIT VR12		1
7	45-113112	FRONT GUARD ASSY VR12		1
8	2430-01-1568	DNR - TRANS ROTOR SPACER		2
9	P0391012	KEY 1/4 X 1/4 X 2"		1
10	P2500-00-0019	KEY 3/8 X 5/16 X 1-1/2"		1
11	P3305-16-3108	BELT BX-108		1
12	P3890-00-0002	NEOPRENE 1/8 X 3/8	SOLD IN 20 ft ROLLS	1
13	P0118110	BOLT 3/8" X 5-1/2" GR8 PLATED		1
14	P0113021	CARRIAGE BOLT 1/2"X1" PLATED		1
15	P0113001	CARRIAGE BOLT 1/2"X2" PLATED		1
16	P0115200	FLANGE BOLT 1/2 X 1-1/4" PLATED		1
17	P0131108	NUT 1/2" PLATED GR5		1
18	P0134105	LOCKNUT-TENSILOCK-5/16"		3
19	P0134106	LOCKNUT-TENSILOCK-3/8"		21
20	P0134108	LOCKNUT-TENSILOCK-1/2"		2
21	P0134023	LOCKNUT-NYLON-1/4" GR8		2
22	P0134026	LOCKNUT-NYLON-3/8" GR 8 (10-17402)		3
23	P0152008	WASHER LOCK 1/2"PLATED		1
24	P0151029	WASHER FLAT 1/2"PLATED USS		2
25	P0163014	PIN LYNCH 1/4" X 1-1/4"		1
26	P7001-03-1750	BUSHING QD SDS 1-3/4"		1
27	P0820127	BUSHING QD-1" SK		1
28	P7006-02-0550	PULLEY IDL 5.75 X 0.51" FF		1
29	P7008-10-1306	PULLEY-DRV 1B58		1



VR12 FRONT DRIVE AND DRUM ASSEMBLY

Item No.	Part No.	Description	Note	Qty.
30	P7008-10-1717	PULLEY-DRV 1B160		1
31	P7220-10-5160	BRG-BALL SA205-16G		2
32	P7222-01-2205	FLANGETTE-PF-205 MS-52, PKG OF 2		2
33	P1513119	DECAL WARNING MISS GUARD		1
34	P1513121	DECAL WARNING ROTATING PART		1
35	38-104556	BRUSH SUB ASSY		1
36	2430-01-1571	BRUSH ARM SHORT		1
37	2430-01-1769	BRUSH ARM LONG VR12		1
38	P0115208	FLANGE BOLT 3/8 X 3/4" PLATED		2
39	P0151009	FLAT WASHER 3/8" PLATED USS		1
40	P0541003	IDLER CHAIN SPRING		2
41	P0049-00-0001	BRUSH SB-MS 18" PP-MS18		2
42	P1513104	DECAL CAUTION GENERAL		1
43	P1513100	DECAL 100 HOUR GREASE		1
44	P1513114	DECAL OIL CHAIN DAILY		1
45	P0115205	BOLT FLANGE 3/8 X 1" PLATED		2
46	38-112511	KIT 1B160 BSHG 1"		1
47	45-113261	KIT 1B58 BSHG 1-3/4"		1

VR12 REAR ROTOR DRIVE ASSEMBLY





VR12 REAR ROTOR DRIVE ASSEMBLY

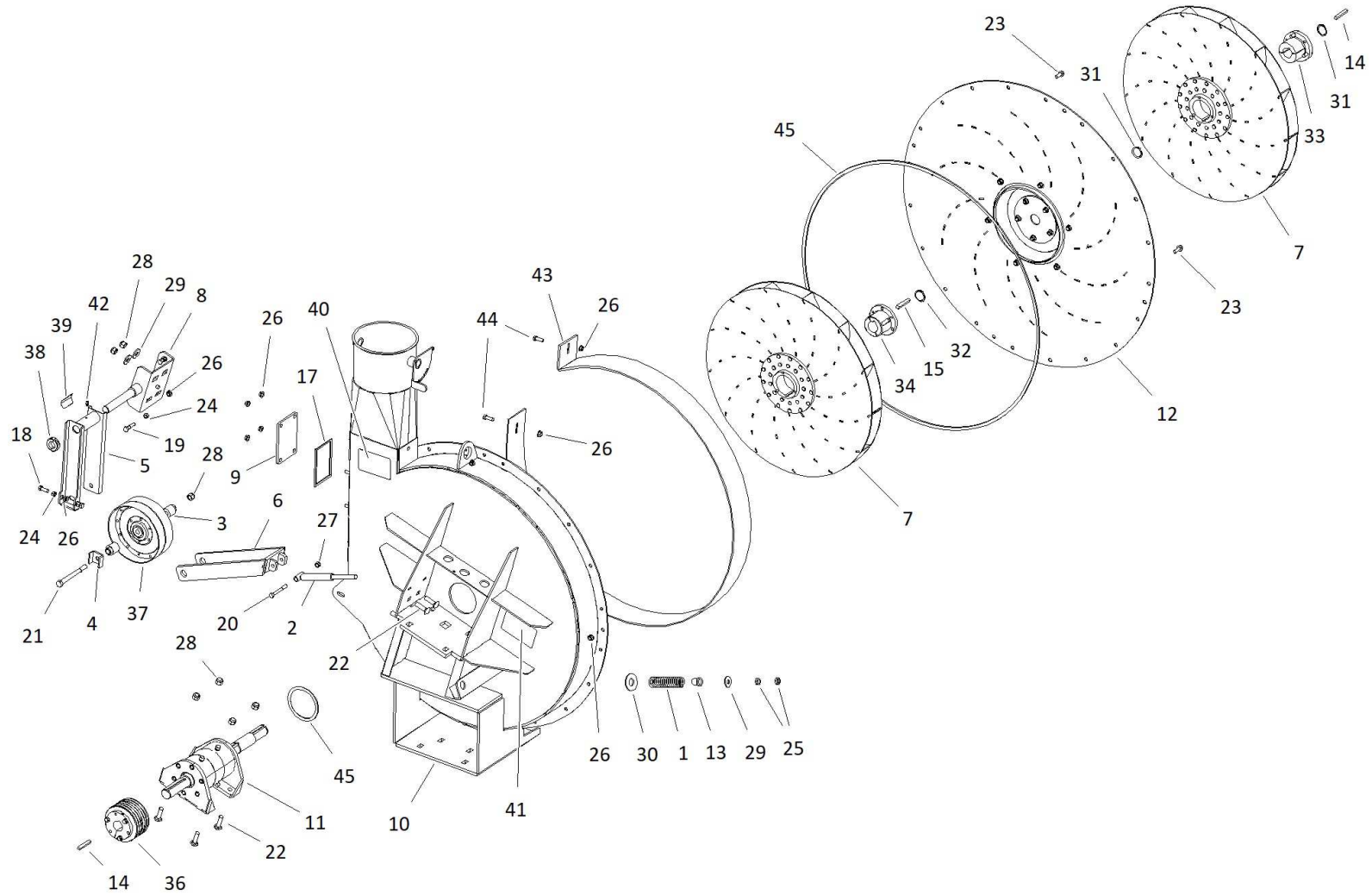
Item No.	Part No.	Description	Note	Qty.
1	P0134106	LOCKNUT-TENSILOCK-3/8"		35
2	P0151036	3/16 X 3/4 X 1/16 FENDER WASHER YZ		4
3	P3306-00-0006	BELT 8GR 3VX 1250 BAND		1
4	P7005-8Q-0250	SHEAVE QD 8GR 3V25 E BSHG		1
5	P0113015	BOLT CARRIAGE 3/8"X1" PLATED		1
6	P3703-00-0030	MANUAL STORAGE DOCUMENT HOLDER		1
7	P3890-00-0002	NEOPRENE 1/8 X 3/8	SOLD IN 20 ft ROLLS	1
8	P0113015	BOLT CARRIAGE 3/8"X1" PLATED		1
9	P0134108	LOCKNUT-TENSILOCK-1/2"		4
10	45-113264	OBS - SEE 45-113310		1
11	P0113024	BOLT CARRIAGE 1/2"X1-3/4"PLATED F/T		4
12	P45-113145	DRIVE SHAFT VR12		1
13	P0115205	BOLT FLANGE 3/8 X 1" PLATED		21
14	45-112937	DRIVE SHAFT GUARD (KANBAN)		1
15	P1771002	BEARING UNIT 1-3/4" SET		2
16	P0118071	BOLT 5/8" X 2" GR8 PLATED		8
17	P0152001	WASHER LOCK 5/8" PLATED		8
18	P0131013	NUT 5/8" PLATED GRADE 8		8
19	45-113169	AIR THROTTLE VR12		1
20	P0134104	LOCKNUT-TENSILOCK-1/4"GR5(10-19594)		2
21	45-113069	THROTTLE PLATE PIN ASSY		1
22	2430-01-1615	AIR THROTTLE BUTTERFLY		1
23	P1771000	BEARING PLASTIC 1/2" X 3/4"		2
24	P0115202	BOLT FLANGE 1/4 X 1-1/4" PLATED F/T		2
25	P0186007	RIVET-MONO 3/16" X 31/32"		7
26	P0391014	KEY 3/8" X 3/8" X 3"		1
27	P0115204	BOLT FLANGE 1/4" X 3/4" PLATED		1
28	P0820130	BUSHING QD-1-3/4" BORE "E" BUSHING		1
29	P0134104	LOCKNUT-TENSILOCK-1/4"GR5(10-19594)		1



VR12 REAR ROTOR DRIVE ASSEMBLY

Item No.	Part No.	Description	Note	Qty.
30	P0115045	BOLT HEX 3/8" X 1-1/4" GR 5		6
31	P1513008	DECAL WARNING MISSING GUARD		1
32	P9005-38-0181	DECAL SAFETY INSTRUCT - ROTOR INSPECT		1
33	P1513002	DECAL-ROTATING PART HAZARD		1
34	P9005-38-0160	DECAL WARN ROT PT/SER		1
35	P1513102	DECAL AIR THROTTLE INSTRUCTION		1
36	P0113032	BOLT COUNTERSUNK 1/2" X 1-1/4"		5
37	45-113244	REAR GUARD LOWER VR12		1
38	45-113245	REAR GUARD COVER VR12		1
39	P0115205	BOLT FLANGE 3/8 X 1" PLATED		3
40	45-113139	ROTOR ASSY VR12		1
41	P1513105	DECAL CAUTION HOT SURFACE		1
42	P1513119	DECAL WARNING MISS GUARD		1
43	45-113307	VR12 BLOWER WEAR WELD		1
44	P3890-00-0025	NEOPRENE GASKET INSP. WINDOW		1
45	45-113308	VR12 INSP DOOR WEAR WELD		1
46	45-113310	VR12 WEAR WRAP KIT		1

VR12 ROTOR ASSEMBLY





VR12 ROTOR ASSEMBLY

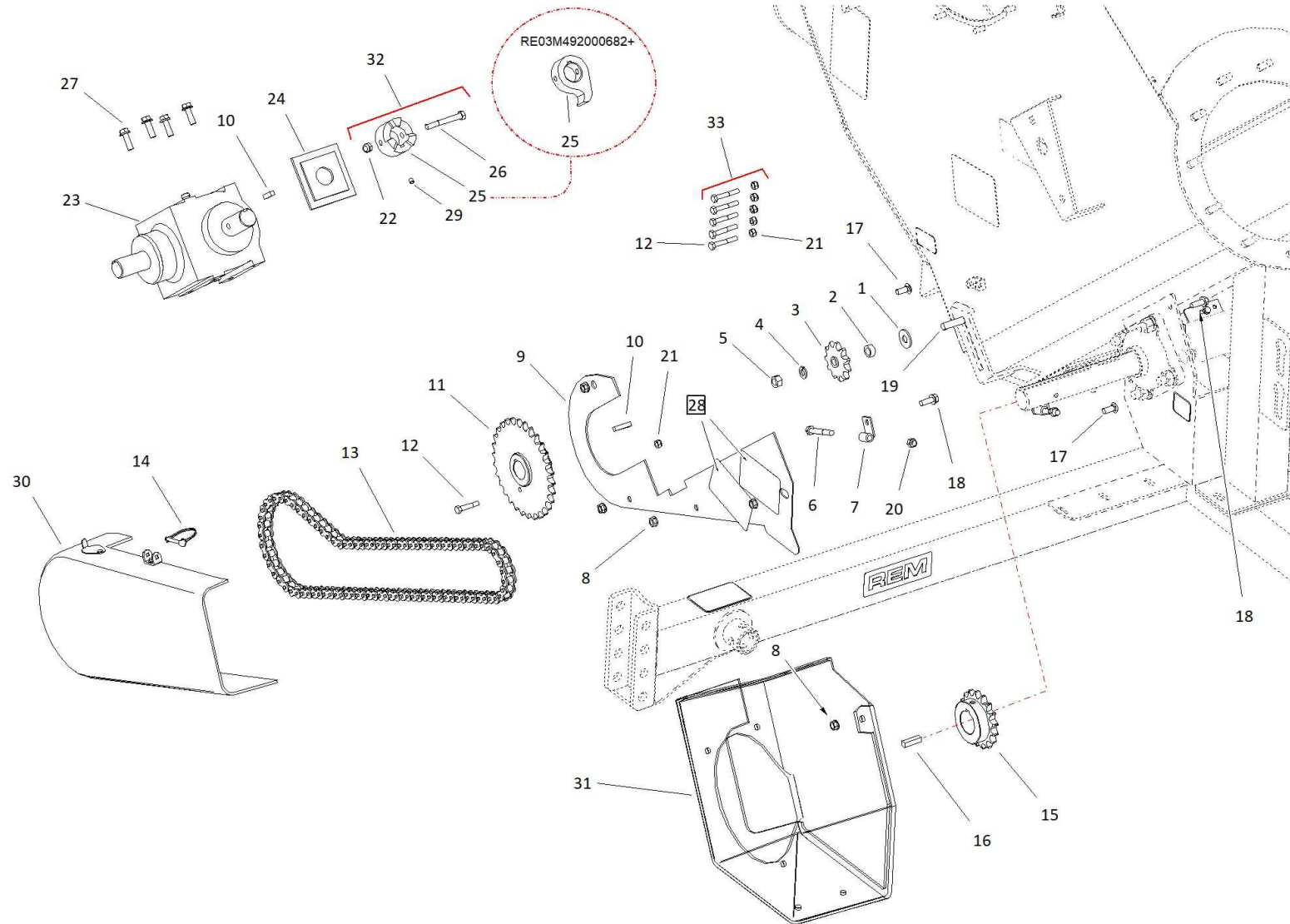
Item No.	Part No.	Description	Note	Qty.
1	P01-202615	END DUMP BEARING SPRING		2
2	38-113019	IDLER TIGHTENER 2700 (KANBAN)		1
3	P45-113243	IDLER SPACER VR12		2
4	38-113026	IDLER ADJUST TAB		1
5	45-113239	IDLER FORK VR12		1
6	45-113240	IDLER TAKEUP VR12		1
7	45-112957	ROTOR VRX BC	1 PER VRX, 2 PER VR12	2
8	45-113238	IDLER MOUNT VR12		1
9	45-113100	BH WINDOW COVER		1
10	45-113140	PEDESTAL VR12		1
11	45-113405	BEARING CARTRDGE VR12	SN# RE03M152100843 AND LATER	
11	P1771003	OBS BEARING CARTRIDGE ASSY VR12	SN# RE03M152100843 AND BEFORE, AT TIME OF REPAIR CHG P# 45-112957	1
12	45-113142	STATOR WELD VR12		1
13	P0820129	BUSHING BRASS FLANGED		1
14	P0391017	KEY 5/16 X 5/16 X 2-3/8"		2
15	P2500-00-0020	KEY 3/8 X 3/8 X 2-3/8"		1
17	P3890-00-0025	NEOPRENE GASKET INSP. WINDOW		1
18	P0118046	BOLT 3/8" X 1" GR8 PL (10-18955)		1
19	P0115113	BOLT 3/8" X 1-1/2" GR8 PLATED		2
20	P0118053	BOLT 3/8" X 3" GR8 PLATED		1
21	P0118023	BOLT 1/2" X 6" GR8 PLATED		1
22	P0113024	BOLT CARRIAGE 1/2"X1-3/4"PLATED F/T		6
23	P0115205	BOLT FLANGE 3/8 X 1" PLATED		4
24	P0131018	NUT 3/8" PLATED GRADE 8		2
25	P0133106	NUT JAM 1/2" UNC GR5		2
26	P0134106	LOCKNUT-TENSILOCK-3/8"		14
27	P0134026	LOCKNUT-NYLON-3/8" GR 8 (10-17402)		1
28	P0134008	LOCKNUT-NYLON-1/2" GRADE 8		6
29	P0151029	WASHER FLAT 1/2"PLATED USS		2



VR12 ROTOR ASSEMBLY

Item No.	Part No.	Description	Note	Qty.
30	P0151016	WASHER FLAT 7/8"PLATED USS		1
31	P5860-40-0137	SNAP RING EXT 1-3/8" OD		1
32	P5860-40-0144	RETAIN RING EXT 1-7/16"OD		1
33	P0820125	BUSHING TPR-1-3/8" Q1 SPLIT		1
34	P0340624	HUB-Q1 1-1/2"	SN# RE03M152100843 AND LATER	
34	P7000-06-1376	DNR BSHG-SPLIT TPR Q1 1-7/16"	SN# RE03M152100843 AND BEFORE	1
36	P7005-8Q-3V50	SHEAVE QD 3V 5.0" 8GR W BSHG		1
37	P7006-02-3600	PULLEY-IDL212856128-108ZC		1
38	P7225-00-0002	SPLIT LOCK COLLAR 1X0.5"		1
39	P1513101	DECAL 20 HOUR GREASE		1
40	P1513105	DECAL CAUTION HOT SURFACE		1
41	P1513119	DECAL WARNING MISS GUARD		1
42	P6215-00-0614	GREASE ZERK 1/4"UNF STR		1
43	45-113265	WEAR WRAP ROTOR KIT VR12		1
44	P0113015	BOLT CARRIAGE 3/8"X1" PLATED		2
45	P3890-00-0002	NEOPRENE 1/8 X 3/8	SOLD IN 20 ft ROLLS	

VR12 AUGER DRIVE ASSEMBLY





VR12 AUGER DRIVE ASSEMBLY

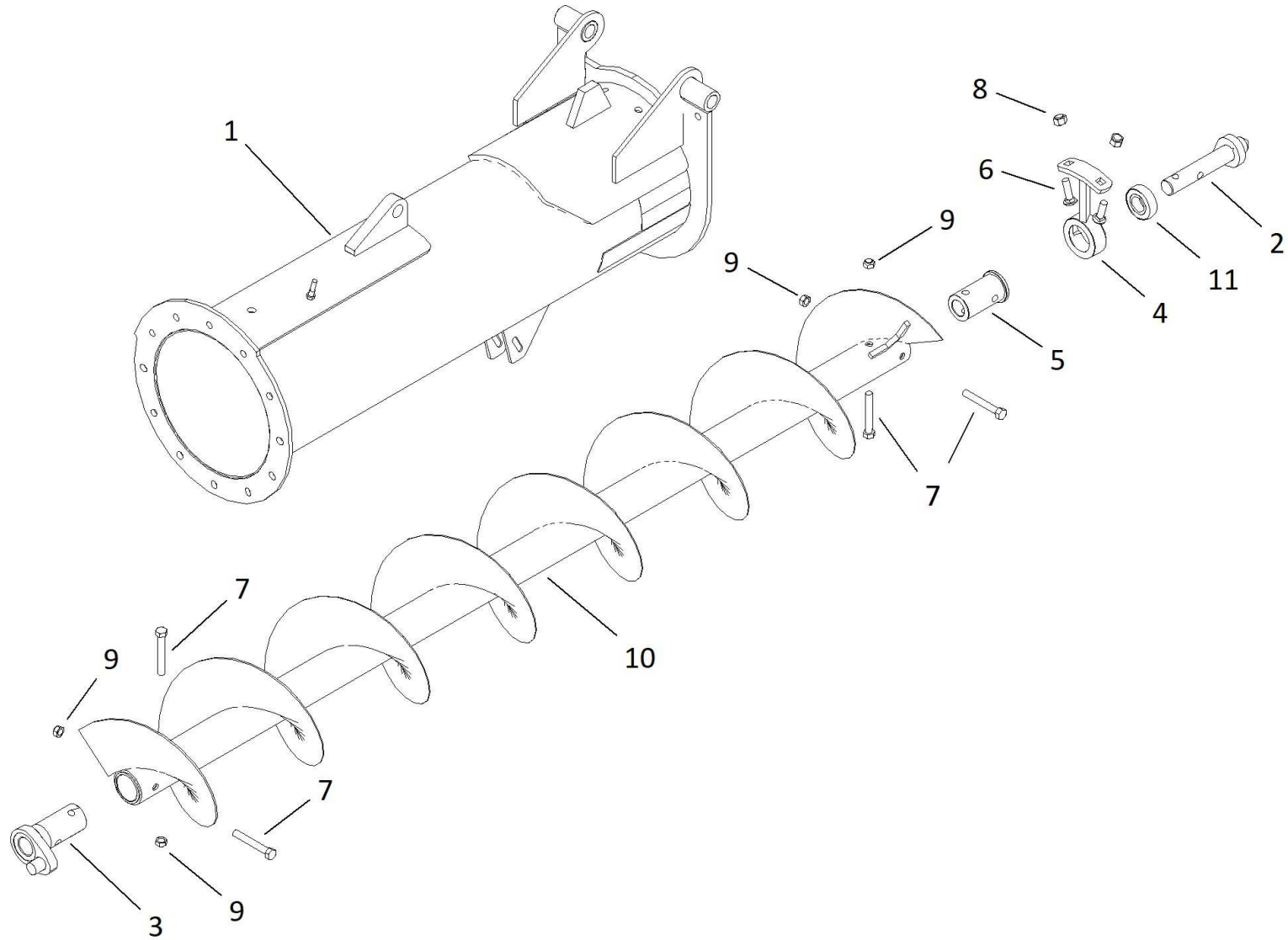
Item No.	Part No.	Description	Serial Number	Note	Qty.
1	P0151029	WASHER FLAT 1/2"PLATED USS			1
2	P38-112382	SPACER			1
3	P7015-00-6011	SPROCKET IDLER 06011E08			1
4	P0152008	WASHER LOCK 1/2"PLATED			1
5	P0131015	NUT 1/2" PLATED GRADE 8			1
6	P0118108	BOLT 3/8" X 2-3/4" GR8 PLATED			2
7	45-113051	CHAIN GUARD HINGE (KANBAN)			2
8	P0134106	LOCKNUT-TENSILOCK-3/8"			3
9	45-113110	CHAIN GUARD PLATE VR12			1
10	P0391016	KEY 5/16 X 5/16 X 1-3/8"			1
11	P7430-00-0002	SHEAR SPROCKET VR12			1
12	P0115120	BOLT HEX 5/16" - 18 UNC X 1-5/8" GR 5 PLATED			6
13	P45-113258	VR12 #60 O-RING CHAIN, CUT TO LENGH			1
14	P0162012	PIN HITCH 1/4" X 1-3/4" WIRE LOCK			1
15	P7018-60-1717	SPROCKET #60-17T 1-3/4"B			1
16	P0391013	KEY 3/8" X 3/8" X 1-1/2"			1
17	P0113015	BOLT CARRIAGE 3/8"X1" PLATED			3
18	P0115205	BOLT FLANGE 3/8 X 1" PLATED			1
19	P0113001	CARRIAGE BOLT 1/2"X2" PLATED			1
20	P0134026	LOCKNUT-NYLON-3/8" GR 8 (10-17402)			2
21	P0137110	NUT NYLOCK JAM 5/16" GR5			6
22	P0134115	LOCKNUT-OVAL-3/8" GRC			1
23	P0361066	GEARBOX 1:1 27 VRX			1
24	P3703-00-0072	SEAL GEARBOX .25 LDPE			1
25	45-113409	GEARBOX DRIVE DOG MACHINED	RE03M492000682+	SEE LINE #32	1
25	P45-113177	OBS SEE 45-113365 DRIVE DOG KIT	310690+		
26	P0118053	BOLT 3/8" X 3" GR8 PLATED			1
27	P0115219	BOLT FLANGE METRIC 10MMX30MM			4
28	P1513008	DECAL WARNING MISSING GUARD			1



VR12 AUGER DRIVE ASSEMBLY

Item No.	Part No.	Description	Serial Number	Note	Qty.
29	P0146001	SET SCREW 5/16X3/8 UNC			1
30	45-113114	CHAIN GUARD ASSY VR12			1
31	P3703-04-0073	PTO GUARD VR12			1
32	45-113198	DRIVE DOG GRBOX 3/8" KIT			1
33	45-113263	SHEAR BOLT KIT VR12			1

VR12 LOWER AUGER ASSEMBLY (RE03M492000682+)

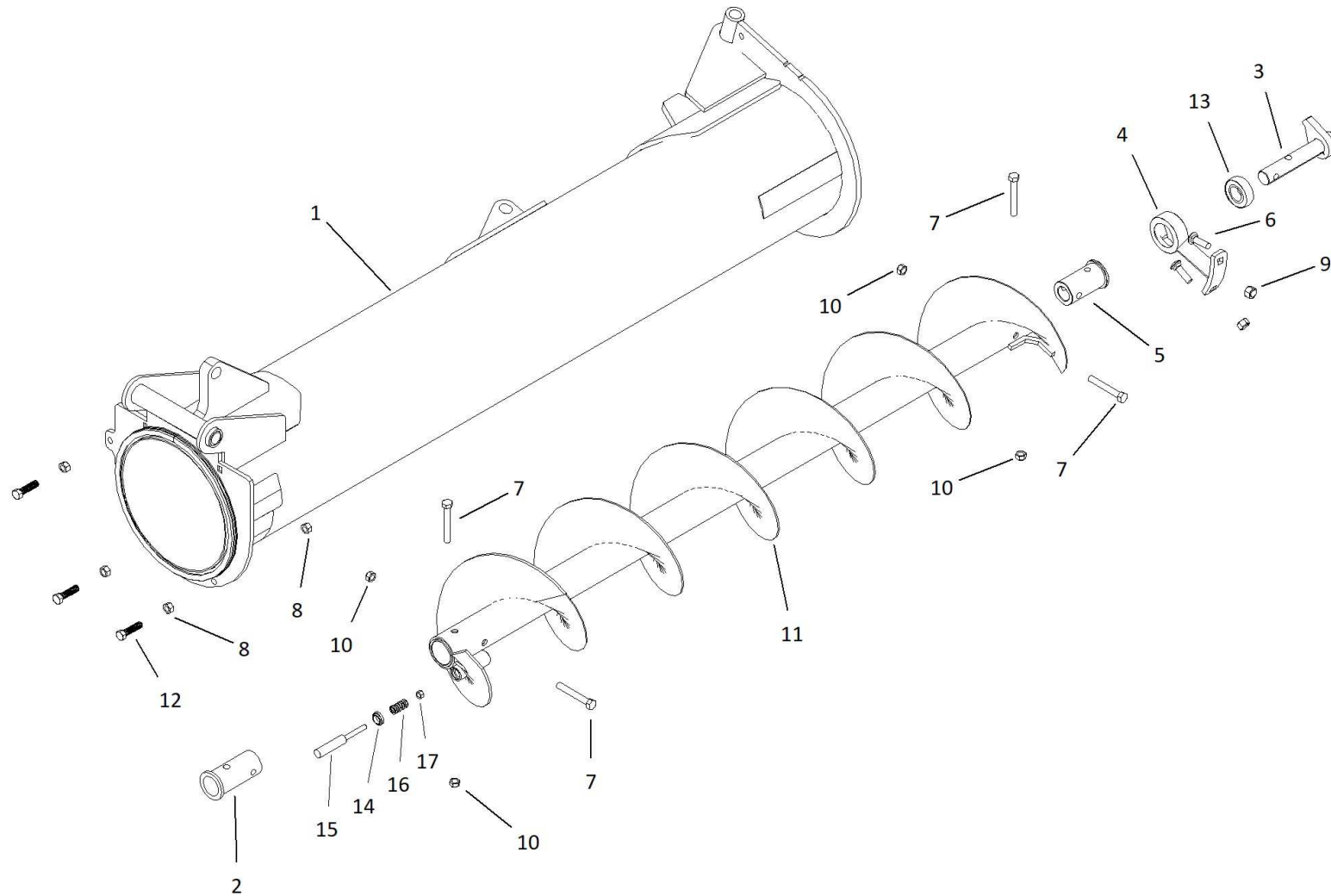




VR12 LOWER AUGER ASSEMBLY (RE03M492000682+)

Item No.	Part No.	Description	Qty.
1	45-113121	LOWER TUBE VR12	1
2	45-113359	VR12 STRIKE HEAD DRIVE DOG	1
3	45-113410	LOWER FLYTING DRIVE DOG WELD	1
4	45-113363	VR12 BEARING HANGER, ROUND	1
5	45-113364	BUSHING DRIVE DOG	1
6	P0113024	BOLT CARRIAGE 1/2"X1-3/4"PLATED F/T	2
7	P0115019	BOLT 1/2" X 3-1/2" GR5 PLATED	4
8	P0134008	LOCKNUT-NYLON-1/2" GRADE 8	2
9	P0134111	LOCKNUT-OVAL-1/2" GRC	4
10	P2362-03-0103	LOWER FLYT VR12	1
11	P7220-10-6104	BEARING-INSERT AEL206-104	1

VR12 MIDDLE AUGER ASSEMBLY (RE03M492000682+)

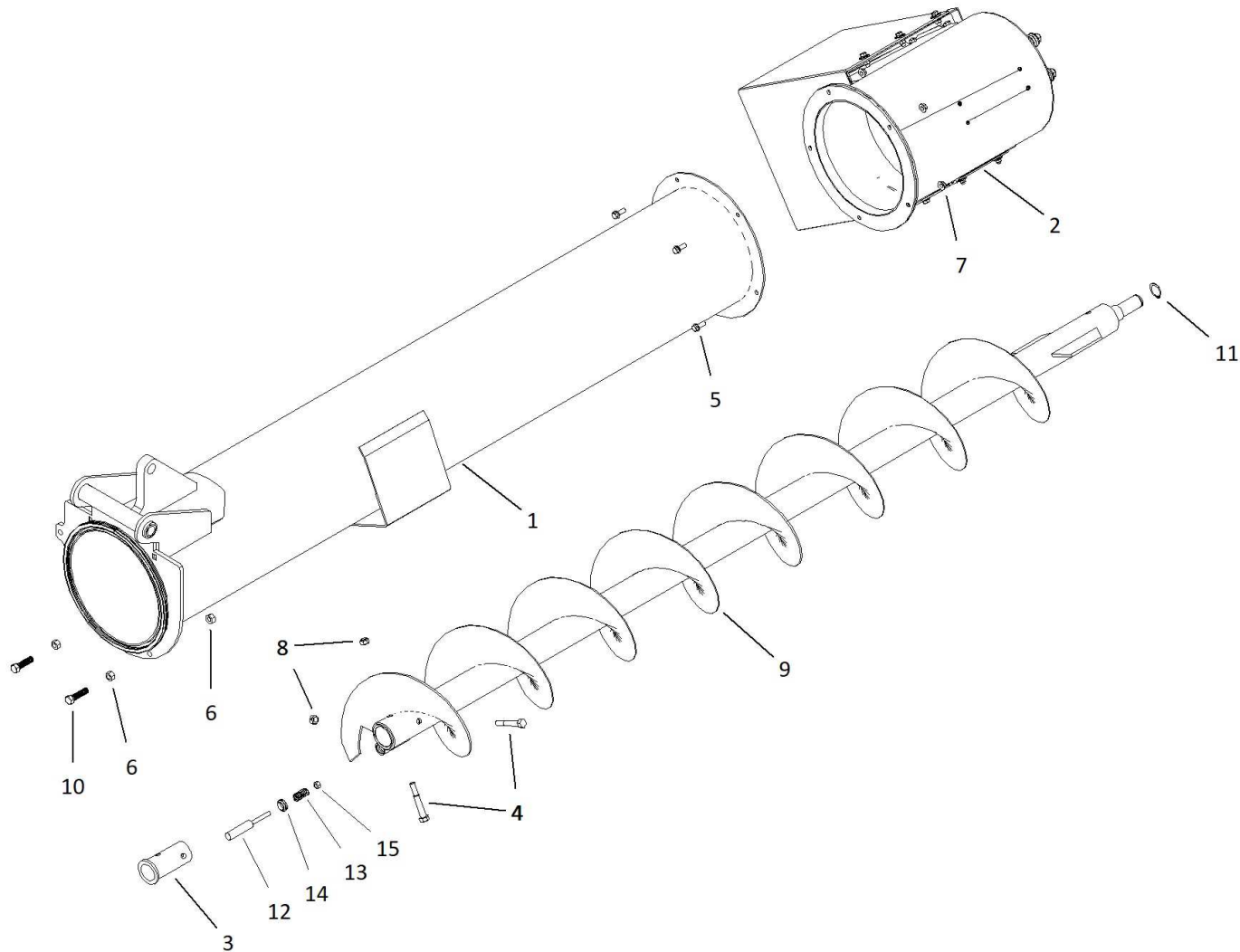




VR12 MIDDLE AUGER ASSEMBLY (RE03M492000682+)

Item No.	Part No.	Description	Qty.
1	45-113126	MIDDLE TUBE VR12	1
2	45-113358	TOP SPRING PIN DRIVE DOG	1
3	45-113359	VR12 STRIKE HEAD DRIVE DOG	1
4	45-113363	VR12 BEARING HANGER, ROUND	1
5	45-113364	BUSHING DRIVE DOG	1
6	P0113024	BOLT CARRIAGE 1/2"X1-3/4"PLATED F/T	2
7	P0115019	BOLT 1/2" X 3-1/2" GR5 PLATED	4
8	P0131008	NUT 1/2" BARE	6
9	P0134008	LOCKNUT-NYLON-1/2" GRADE 8	2
10	P0134111	LOCKNUT-OVAL-1/2" GRC	4
11	P2362-03-0104	MIDDLE FLYT VR12	1
12	P4065-22C0520	1/2" - 13 X 2" TAP BOLT	3
13	P7220-10-6104	BEARING-INSERT AEL206-104	1
14	P3330-00-0011	WIPER U-TYPE 1-1/8X3/4"	1
15	P38-112488	PEGGED SPRING PIN	1
16	P6777-02-0070	FLYTING PIN SPRING	1
17	P0134026	LOCKNUT-NYLON-3/8" GR 8 (10-17402)	1

VR12 UPPER AUGER ASSEMBLY (RE03M492000682+)

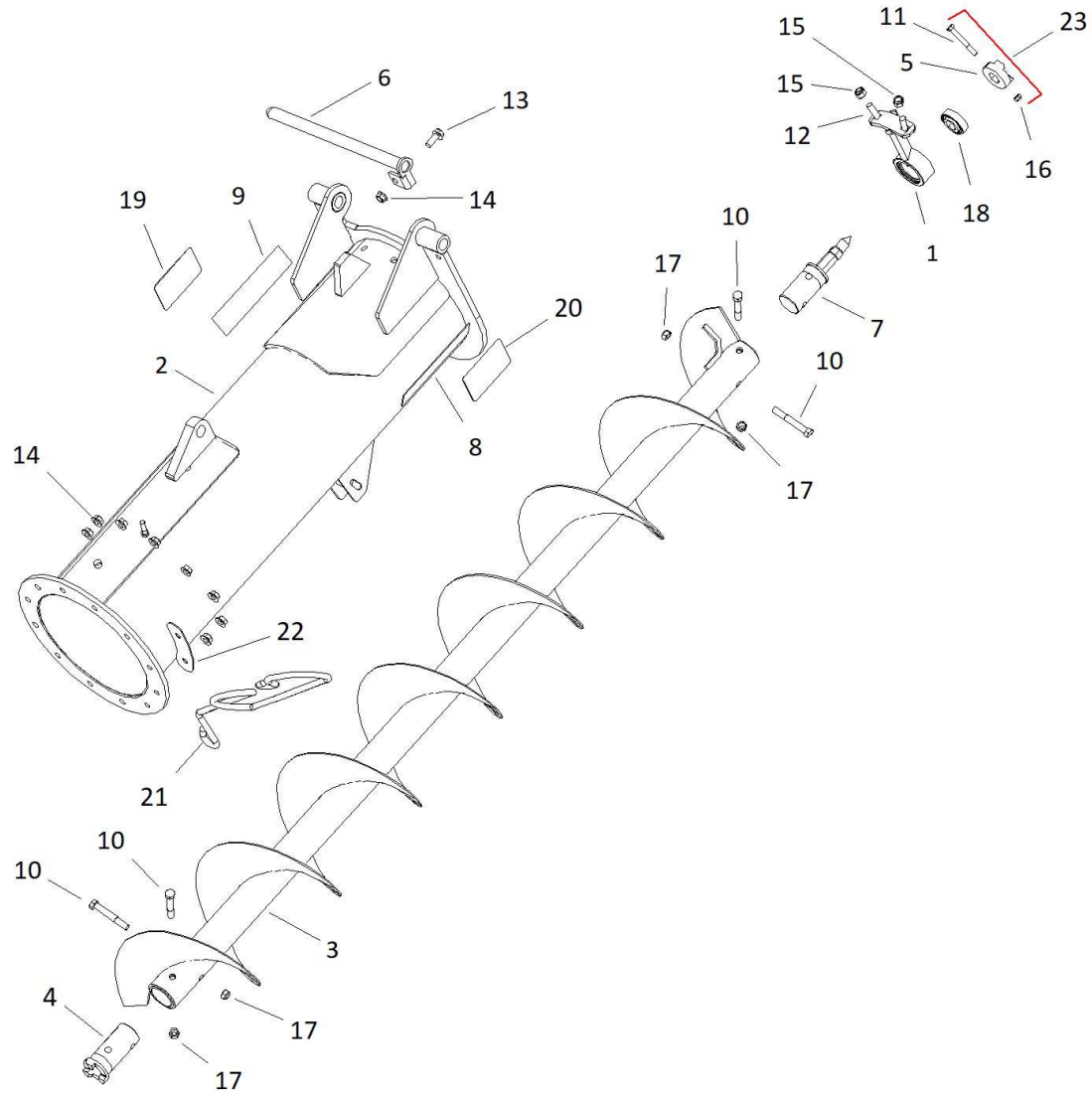




VR12 UPPER AUGER ASSEMBLY (RE03M492000682+)

Item No.	Part No.	Description	Qty.
1	45-113129	UPPER TUBE VR12	1
2	45-113326	END DUMP WITH LINER ASSY VR12	1
3	45-113358	TOP SPRING PIN DRIVE DOG	1
4	P0118019	BOLT 1/2" X 3-1/2" GR8 PLATED	2
5	P0115205	BOLT FLANGE 3/8 X 1" PLATED	5
6	P0131015	NUT 1/2" PLATED GRADE 8	4
7	P0134106	LOCKNUT-TENSILOCK-3/8"	5
8	P0134111	LOCKNUT-OVAL-1/2" GRC	2
9	P2362-03-0105	UPPER FLYT VR12	1
10	P4065-22C0520	1/2" - 13 X 2" TAP BOLT	2
11	P5860-40-0125	RETAIN RING EXT 1-1/4"OD	1
12	P38-112488	PEGGED SPRING PIN	1
13	P6777-02-0070	FLYTING PIN SPRING	1
14	P3330-00-0011	WIPER U-TYPE 1-1/8X3/4"	1
15	P0134026	LOCKNUT-NYLON-3/8" GR 8 (10-17402)	1

VR12 LOWER AUGER ASSEMBLY

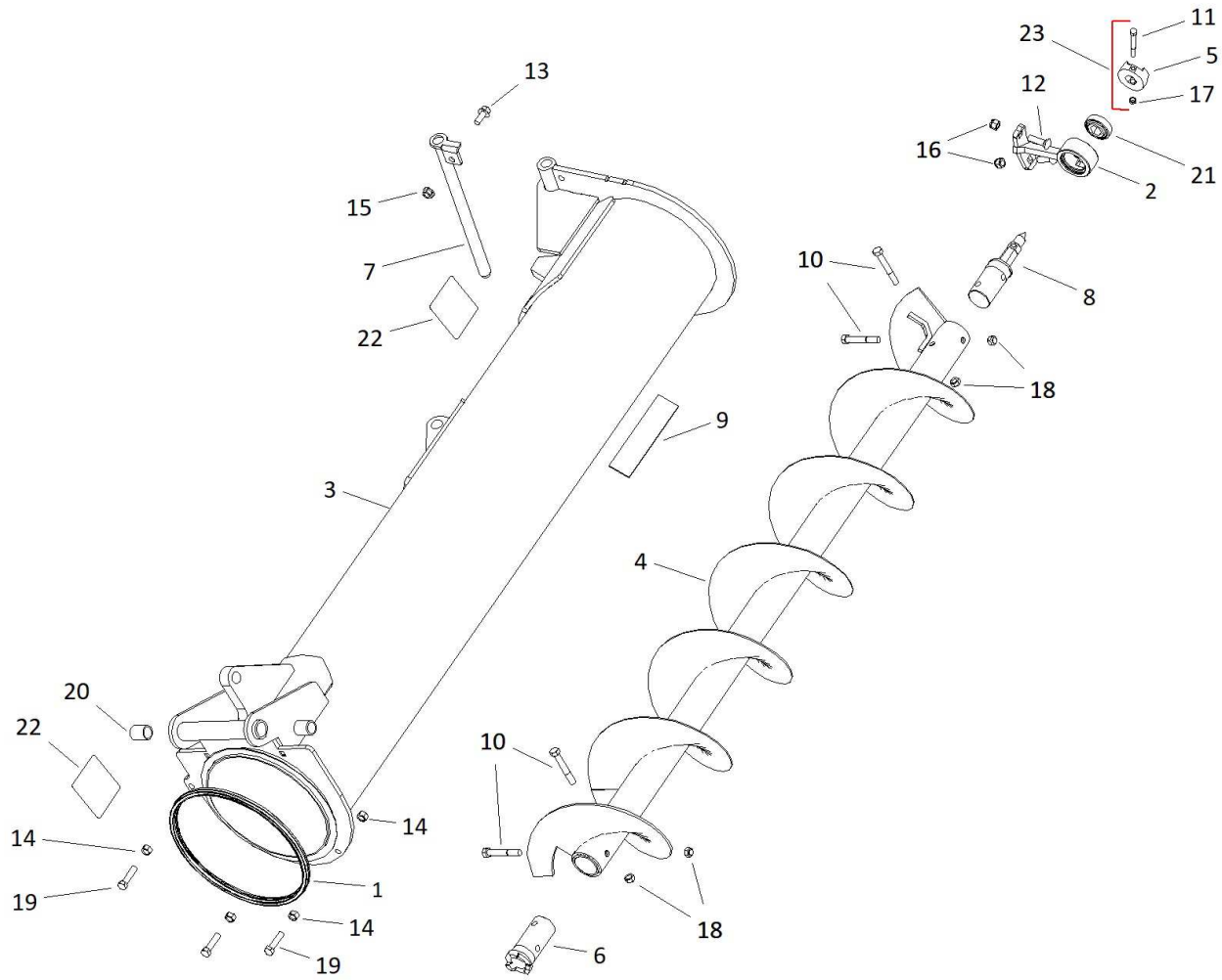




VR12 LOWER AUGER ASSEMBLY

Item No.	Part No.	Description	Serial Number	Note	Qty.
1	45-113118	OBS - SEE 45-113363	UP TO SN: RE03M492000682		1
2	45-113121	LOWER TUBE VR12			1
3	P2362-03-0103	LOWER FLYT VR12			1
4	P45-112983	OBS - GEARBOX DRIVE DOG		SEE 45-113366	1
5	P45-113162	HEX DRIVE DOG VR12 SEE 45-113262		SEE LINE #23	1
6	45-113106	HINGE PIN VR12			1
7	P45-113163	OBS - LOWER HEX SHAFT VR12			1
8	P1513123	REFLECTOR - AMBER 2"X9"			1
9	P1513124	REFLECTOR - RED 2"X9"			1
10	P0118019	BOLT 1/2" X 3-1/2" GR8 PLATED			4
11	P0118053	BOLT 3/8" X 3" GR8 PLATED			1
12	P0113024	BOLT CARRIAGE 1/2"X1-3/4"PLATED F/T			2
13	P0115200	FLANGE BOLT 1/2 X 1-1/4" PLATED			1
14	P0134108	LOCKNUT-TENSILOCK-1/2"			13
15	P0134008	LOCKNUT-NYLON-1/2" GRADE 8			2
16	P0134115	LOCKNUT-OVAL-3/8" GRC			1
17	P0134111	LOCKNUT-OVAL-1/2" GRC			4
18	P7218-00-0003	DNR BEARING HEX 1"			1
19	P1513118	DECAL WARNING HIGH PRESSURE FLUID			1
20	P1513108	DECAL DANGER SUCT/ROT PART			1
21	P23-202609	PTO HOSE HOLDER			1
22	45-113111	PTO HOLDER PLATE VR12			1
23	45-113262	DRIVE DOG KIT VR12		SEE 45-113366	1

VR12 MIDDLE AUGER ASSEMBLY



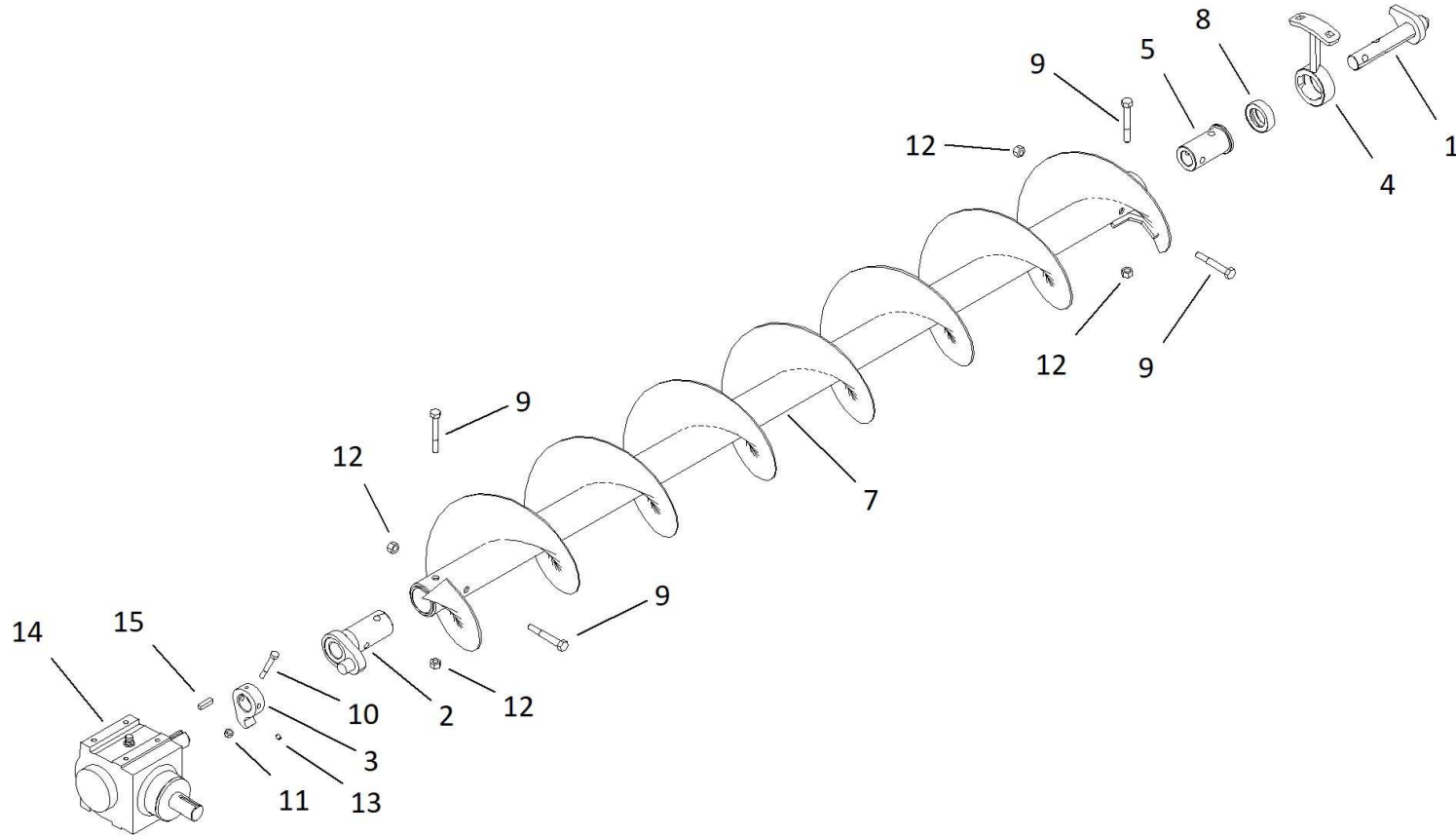


VR12 MIDDLE AUGER ASSEMBLY

Item No.	Part No.	Description	Serial Number	Note	Qty.
1	45-113101	AUGER GASKET VR12			1
2	45-113118	OBS - SEE 45-113363	UP TO SN: RE03M492000682		1
3	45-113126	MIDDLE TUBE VR12		INCL. #9, 20, 22	1
4	P2362-03-0104	MIDDLE FLYT VR12			1
5	P45-113162	HEX DRIVE DOG VR12 SEE 45-113262		SEE LINE #23	1
6	P45-112985	DNRM - TOP DRIVE DOG		SEE VRX, 45-113365; VR12, 45-113366	1
7	45-113106	HINGE PIN VR12			1
8	P45-113163	OBS - LOWER HEX SHAFT VR12			1
9	P1513123	REFLECTOR - AMBER 2"X9"			1
10	P0118019	BOLT 1/2" X 3-1/2" GR8 PLATED			4
11	P0118053	BOLT 3/8" X 3" GR8 PLATED			1
12	P0113024	BOLT CARRIAGE 1/2"X1-3/4"PLATED F/T			2
13	P0115200	FLANGE BOLT 1/2 X 1-1/4" PLATED			1
14	P0131015	NUT 1/2" PLATED GRADE 8			6
15	P0134108	LOCKNUT-TENSILOCK-1/2"			1
16	P0134008	LOCKNUT-NYLON-1/2" GRADE 8			2
17	P0134115	LOCKNUT-OVAL-3/8" GRC			1
18	P0134111	LOCKNUT-OVAL-1/2" GRC			4
19	P4065-22C0520	1/2" - 13 X 2" TAP BOLT			3
20	P7022-00-0001	AUGER HINGE BUSHING			2
21	P7218-00-0003	DNR BEARING HEX 1"			1
22	P1513106	DECAL DANGER ELECTRICAL HAZZARD			2
23	45-113262	DRIVE DOG KIT VR12		SEE 45-113366	1
24	P1513120	DECAL WARNING PINCH POINT			1

VR12 BOTTOM FLYTING

6- COMPLETE VR12 DRIVE DOG KIT (EXCEPT GEARBOX AND FLYTING)

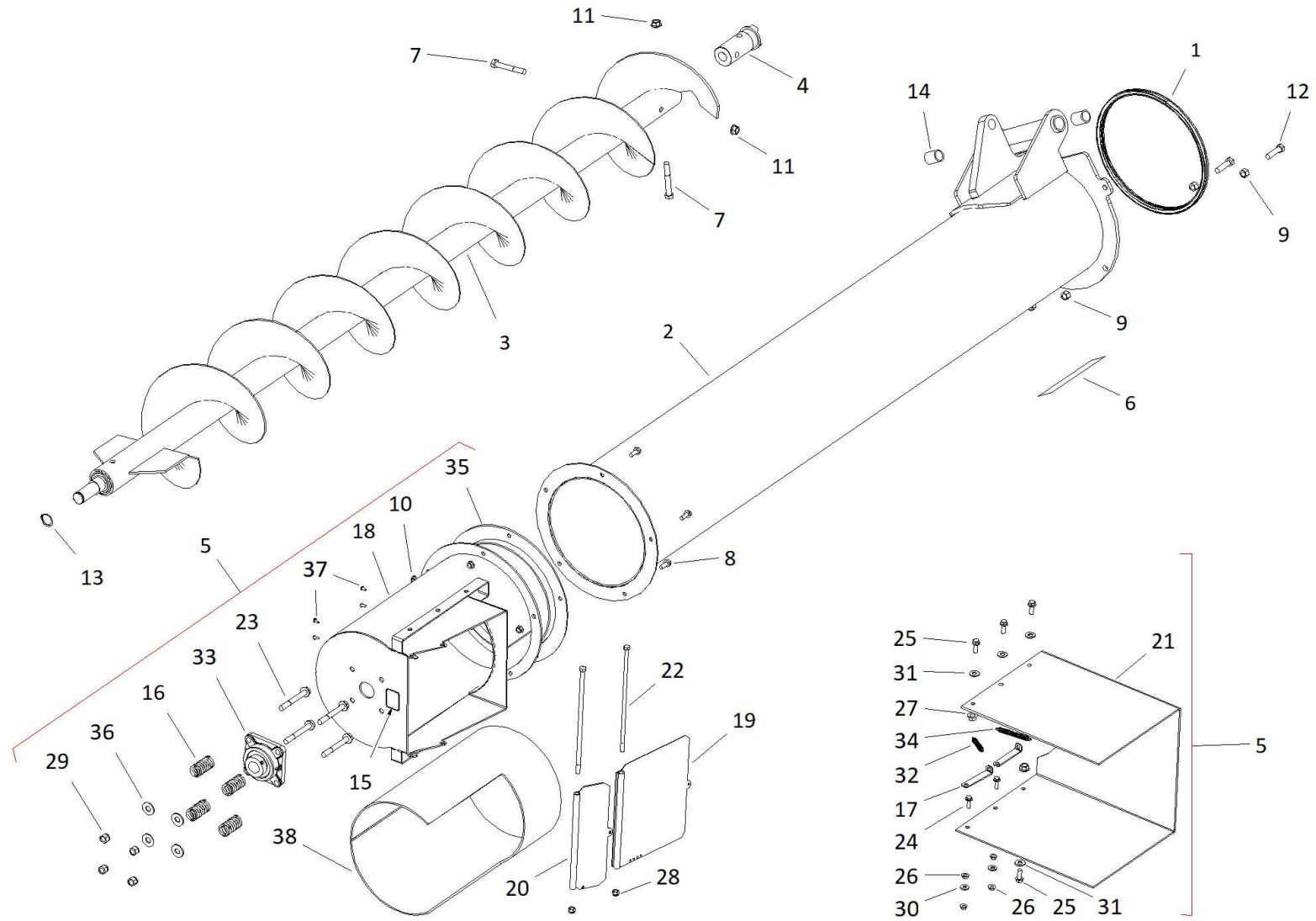




VR12 BOTTOM FLYTING

Item No.	Part No.	Description	Note	Qty.
1	45-113359	VR12 STRIKE HEAD DRIVE DOG		1
2	45-113410	LOWER FLYTING DRIVE DOG WELD		1
3	45-113409	GEARBOX DRIVE DOG MACHINED		1
4	45-113363	VR12 BEARING HANGER, ROUND		1
5	45-113364	BUSHING DRIVE DOG		1
6	45-113366	VR12 DRIVE DOG KIT	#7, 14 NOT INCLUDED	1
7	P2362-03-0103	LOWER FLYT VR12		1
8	P7220-10-6104	BEARING-INSERT AEL206-104		1
9	P0118019	BOLT 1/2" X 3-1/2" GR8 PLATED		4
10	P0118053	BOLT 3/8" X 3" GR8 PLATED		1
11	P0134026	LOCKNUT-NYLON-3/8" GR 8 (10-17402)		1
12	P0134111	LOCKNUT-OVAL-1/2" GRC		4
13	P0146001	SET SCREW 5/16X3/8 UNC		1
14	P0361066	GEARBOX 1:1 27 VRX		1
15	P0391016	KEY 5/16 X 5/16 X 1-3/8"		1

VR12 UPPER AUGER AND DUMPER ASSEMBLY





VR12 UPPER AUGER AND DUMPER ASSEMBLY

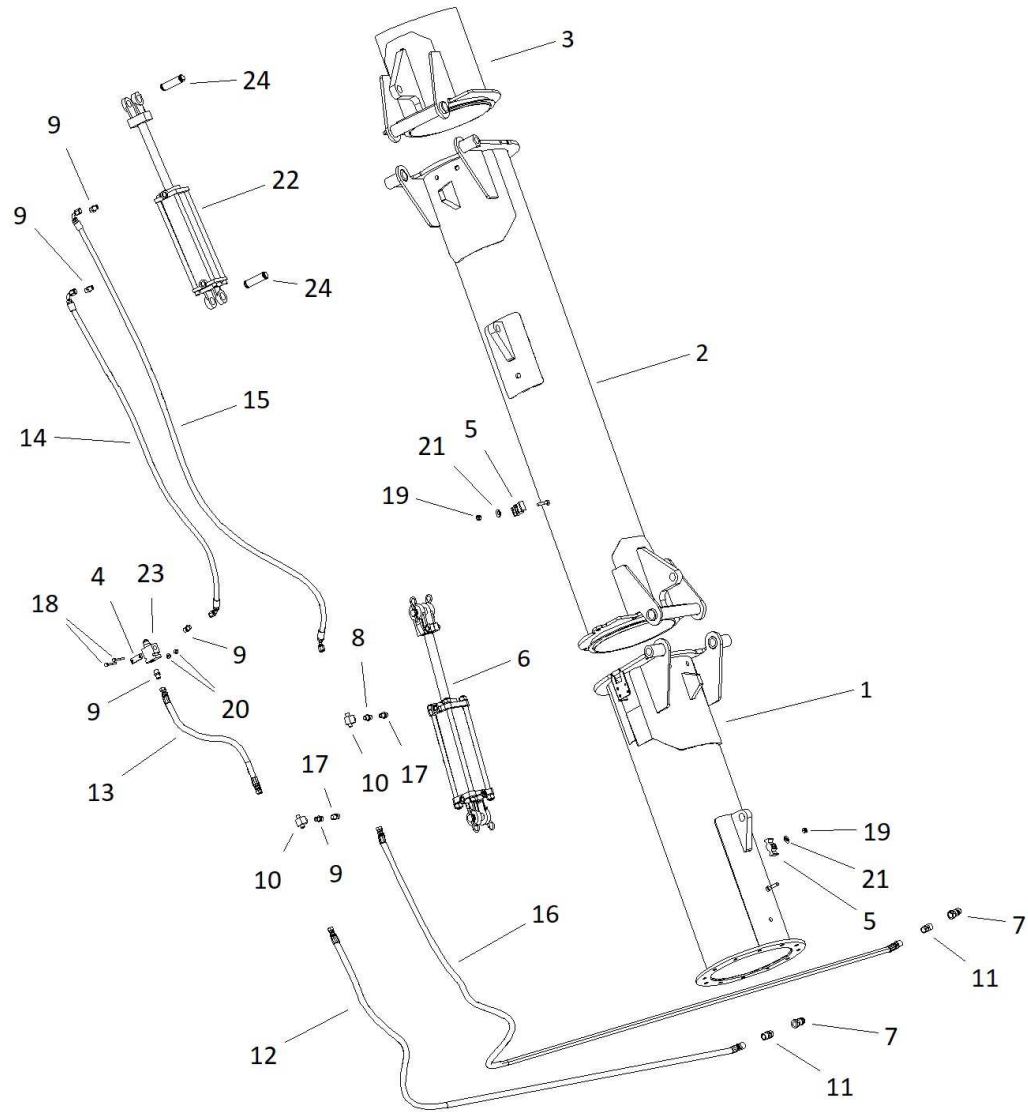
Item No.	Part No.	Description	Note	Qty.
1	45-113101	AUGER GASKET VR12		1
2	45-113129	UPPER TUBE VR12	INCL. #6, 14	1
3	P2362-03-0105	UPPER FLYT VR12		1
4	P45-112985	DNRM - TOP DRIVE DOG	SEE VRX, 45-113365; VR12, 45-113366	1
5	45-113326	END DUMP WITH LINER ASSY VR12		1
6	P1513124	REFLECTOR - RED 2"X9"		1
7	P0118019	BOLT 1/2" X 3-1/2" GR8 PLATED		2
8	P0115205	BOLT FLANGE 3/8 X 1" PLATED		5
9	P0131015	NUT 1/2" PLATED GRADE 8		6
10	P0134106	LOCKNUT-TENSILOCK-3/8"		5
11	P0134111	LOCKNUT-OVAL-1/2" GRC		2
12	P4065-22C0520	1/2" - 13 X 2" TAP BOLT		3
13	P5860-40-0125	RETAIN RING EXT 1-1/4"OD		1
14	P7022-00-0001	AUGER HINGE BUSHING		2
15	P1513100	DECAL 100 HOUR GREASE		1
16	P01-202615	END DUMP BEARING SPRING		4
17	45-112977	DUMPER SPRING MOUNT		2
18	45-113327	END DUMP WELD VR12		1
19	45-113133	DUMPER DR LRG VR12		1
20	45-113134	DUMPER DR SML VR12		1
21	P3320-00-0046	END DUMP SPOUT VR12		1
22	P4001-02c3812	BOLT HEX 3/8 X 12" GR A		2
23	P0118130	BOLT 1/2" X 4" GR8 PLATED		4
24	P0115209	BOLT FLANGE 5/16 X 1" PLATED		2
25	P0115205	BOLT FLANGE 3/8 X 1" PLATED		4
26	P0134105	LOCKNUT-TENSILOCK-5/16"		4
27	P0134106	LOCKNUT-TENSILOCK-3/8"		4
28	P0134026	LOCKNUT-NYLON-3/8" GR 8 (10-17402)		2
29	P0134008	LOCKNUT-NYLON-1/2" GRADE 8		4



VR12 UPPER AUGER AND DUMPER ASSEMBLY

Item No.	Part No.	Description	Note	Qty.
30	P0151010	WASHER FLAT 5/16"PLATED USS		2
31	P0151009	FLAT WASHER 3/8"PLATED USS		4
32	P0541001	SPRING END DUMP		1
33	P7226-10-8109	BEARING 1.25"		1
34	P6777-02-0053	2700 & 3700 DUMPER SPRING		1
35	45-113328	END DUMP LINER FLANGE VR12		1
36	P0151029	WASHER FLAT 1/2"PLATED USS		1
37	P0142008	SCREW-SHEET METAL #10 X 1/2" PAN HE		1
38	45-113335	END DUMP LINER W SCREWS VR12		1

VR12 HYDRAULIC ASSEMBLY





VR12 HYDRAULIC ASSEMBLY

Item No.	Part No.	Description	Note	Qty.
1	45-113121	LOWER TUBE VR12		1
2	45-113126	MIDDLE TUBE VR12		1
3	45-113129	UPPER TUBE VR12		1
4	2430-01-0884	VALVE BOLT LOCK BAR		1
5	P0820804	HOSE CLAMP -3/8" PLASTIC HYD		2
6	P0300-11-0048	CYL-HYD 3.5 X 10 X 1.25		1
6	P0300-11-0048SK	CYL-HYD 3.5 X 10 X 1.25 SEAL KIT	NOT SHOWN	1
6	P0300-11-0048SKMO	CYL-HYD 3.5 X 10 X 1.25 SEAL KIT	MONARCH (NOT SHOWN)	1
7	P0820401	AG INTCHG NIPPLE 1/2" FNPT		2
8	P6800-00-0115	3/8 RESTRICTOR-6MJIC-6MB		1
9	P6800-00-0116	ADAPTER 6MJIC-6MORB		5
10	P6800-00-0208	TEE 6MJIC-6FJIC-6MJIC		2
11	P6800-00-0218	RESTRICTOR 1/32" - 8MP-8FPX		2
12	P6800-00-0263	HYD HOSE ASSY 1/4" X 153"		1
13	P6800-00-0264	HYD HOSE ASSY 1/4" X 20"		1
14	P6800-00-0265	HYD HOSE ASSY 1/4" X 60-3/4"		1
15	P6800-00-0266	HYD HOSE ASSY 1/4" X 78"		1
16	P6800-00-0267	HYD HOSE ASSY 1/4" X 165"		1
17	P6800-00-0271	ADPTR-8 M ORB - 6 F ORB		2
18	P0118100	BOLT 1/4" X 1-3/4" GR8 PLATED		2
19	P0134026	LOCKNUT-NYLON-3/8" GR 8 (10-17402)		2
20	P0134104	LOCKNUT-TENSILOCK-1/4"GR5(10-19594)		2
21	P0151009	FLAT WASHER 3/8"PLATED USS		2
22	P0813010	HYD CYL-3 X 10 X 6 ORB FIT		1
23	P0861041	VALVE-DELTROL ASSEMBLY		1
24	P6731-00-0103	CLEVIS PIN – CYL 3" USEABLE		4



VR12 GUARDS

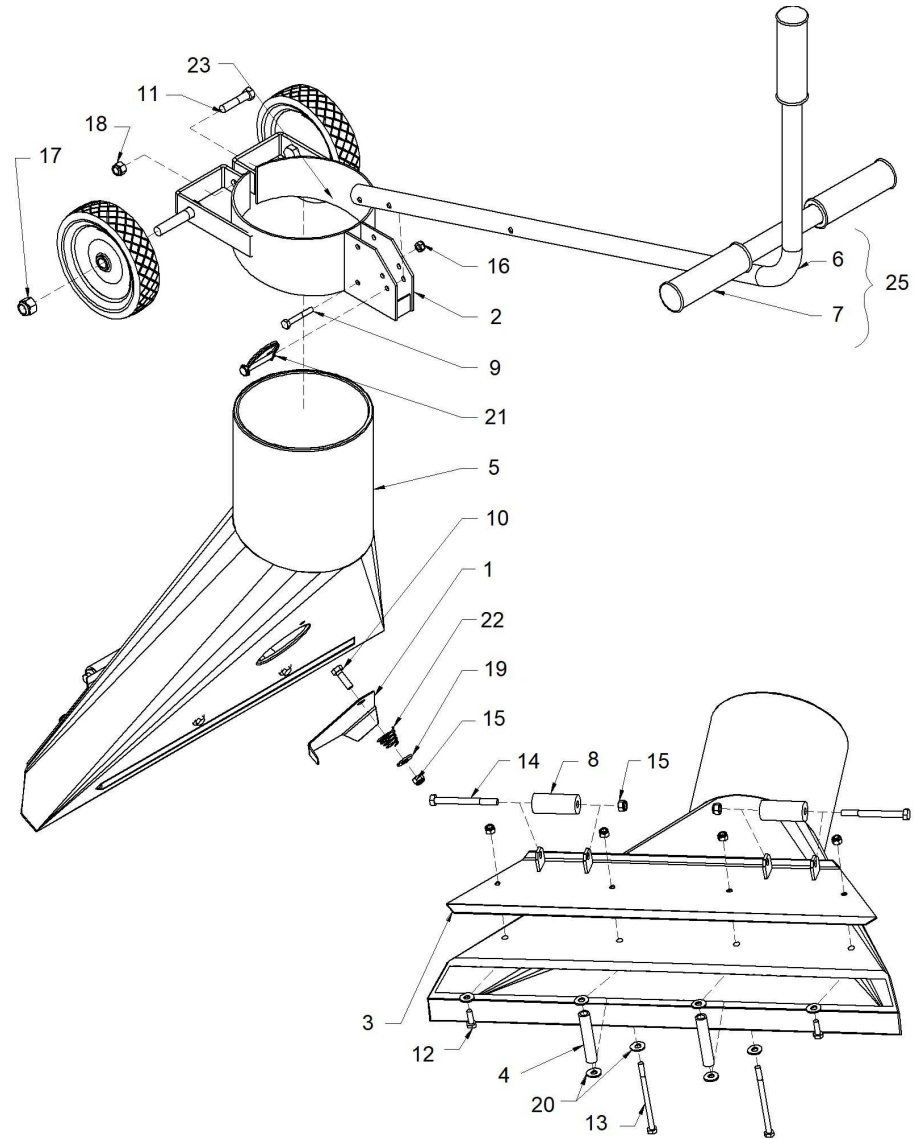
Item No.	Part No.	Description	Qty.
1	P3703-04-0072	FRONT GUARD VR12	1
2	45-113068	GUARD HINGE TAB	2
3	P0115204	BOLT FLANGE 1/4" X 3/4" PLATED	1
4	P0115205	BOLT FLANGE 3/8 X 1" PLATED	4
5	P0134021	LOCKNUT-NYLON-#8 GRADE 2	6
6	45-113071	HINGE MOUNT FRT GUARD	1
7	45-113204	FRONT GUARD BRACE	1
8	P0143003	MACHINE SCREW #8 X 3/4"	6
9	P1513122	FRONT GUARD REM EMBLEM	1
10	P0134023	LOCKNUT-NYLON-1/4" GR8	1
11	P0134026	LOCKNUT-NYLON-3/8" GR 8 (10-17402)	4
12	P3703-04-0073	PTO GUARD VR12	1
13	P1513107	DECAL DANGER ROTATING DRIVE	1
14	45-113075	PTO GUARD HOLDER	1
15	P0134106	LOCKNUT-TENSILOCK-3/8"	10
16	P0141006	TEK SCREW #10-16 UN X 3/4"	3
17	P0151036	3/16 X 3/4 X 1/16 FENDER WASHER YZ	3
18	45-113212	PTO GUARD WRAP WELD	1
19	P3320-00-0047	RUBBER GUARD FRONT VR12	1
20	P0118055	BOLT 3/8" X 3/4" GR8 PLATED	3
21	P3703-04-0074	CHAIN GUARD VR12	1
22	45-113356	VRX REAR UPPER GUARD VENTED	1
23	38-112413	ACCESS TAB PAINT	1
24	P0186007	RIVET-MONO 3/16" X 31/32"	1
25	45-113051	CHAIN GUARD HINGE (KANBAN)	2
26	45-113114	CHAIN GUARD ASSY VR12	1
27	P0134104	LOCKNUT-TENSILOCK-1/4"GR5(10-19594)	1
28	45-113113	PTO GUARD ASSY	1
29	P3703-04-0071	REAR GUARD	1



VR12 GUARDS

Item No.	Part No.	Description	Qty.
30	45-113063	REAR GUARD BRACE	1
31	P0184040	TENSION CLAMP, SPACER	1
32	P0184041	CLAMP TENSION, LATCH071	1
33	P0113025	CARRIAGE BOLT 1/4"X1" PLATED	2
34	45-113245	REAR GUARD COVER VR12	1
35	45-113112	FRONT GUARD ASSY VR12	1
36	45-113343	REAR GRD AIRFLOW BACK PLT PROD PTD	1
37	45-113342	REAR GRD AIRFLOW SIDE PLT PROD PTD	1
38	P0118033	BOLT 1/4" X 3/4" GR8 PLATED	14
39	P1451006	FLAT WASHER, 1/4 SAE SS ZN	28

VR12 CHAMFERED CLEANUP NOZZLE

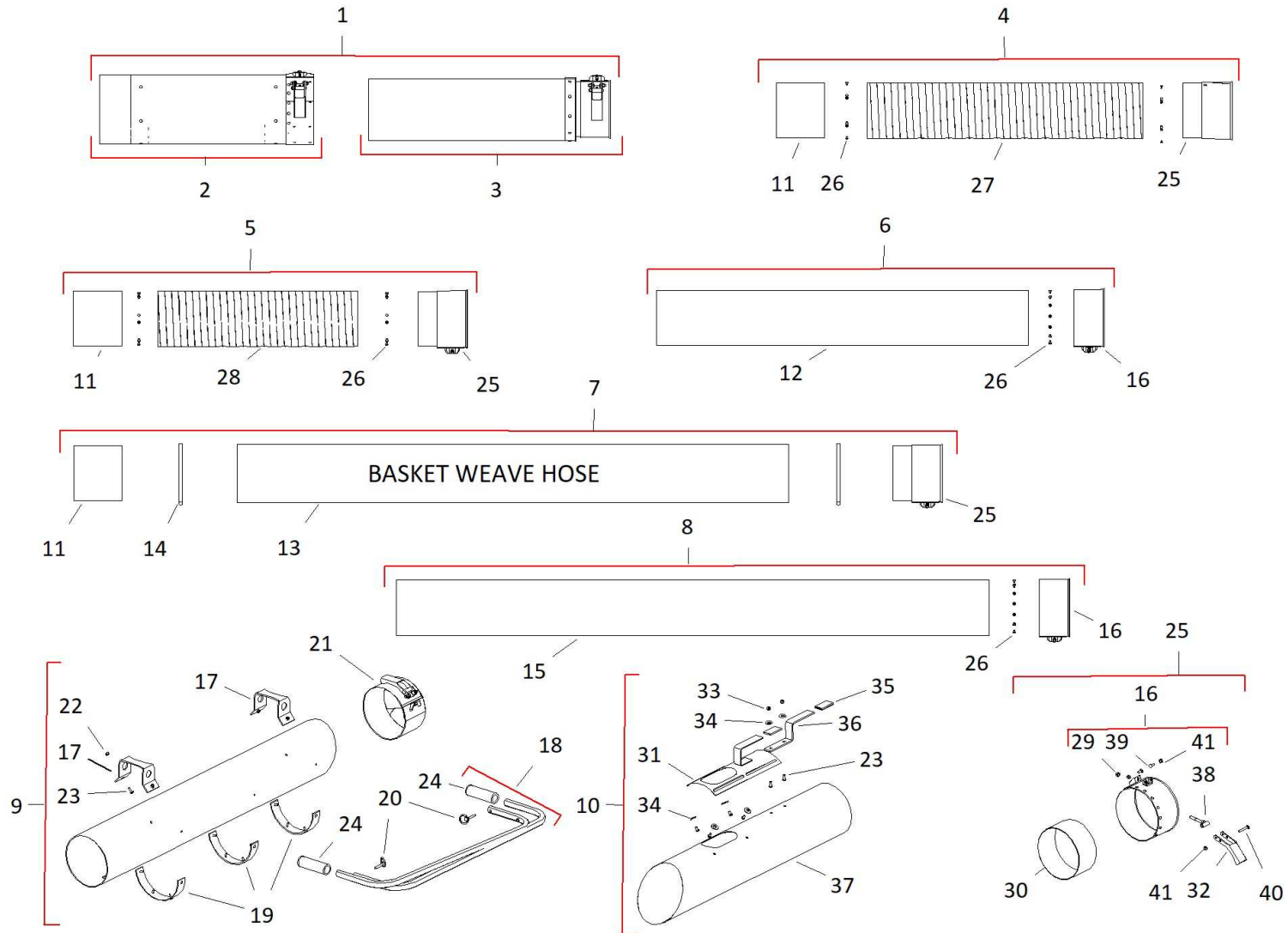




VR12 CHAMFERED CLEANUP NOZZLE

Item No.	Part No.	Description	Note	Qty.
1	38-105084	AIR INTAKE COVER PLATE		1
2	38-107279	WHEEL MOUNT		1
3	38-108397	CLEAN UP GUIDE 7" (KANBAN)		1
4	38-108398	NOZZLE SUPPORT PIPE 2-7/8"		2
5	38-108399	OBS-CHAMFER NOZZLE 7" ONLY		1
6	38-110512	HANDLE CHAMFERED NOZZLE	SEE LINE #25	1
7	P3420-01-0011	RUBBER HANDLE GRIPS		3
8	P3703-04-0037	ROLLER WHEELS		2
9	P0118100	BOLT 1/4" X 1-3/4" GR8 PLATED		1
10	P0118061	BOLT 5/16" X 1" GR8 PLATED		1
11	P0118106	BOLT 3/8" X 1-3/4" GR8 PLATED		2
12	P0118033	BOLT 1/4" X 3/4" GR8 PLATED		2
13	P0118102	BOLT 1/4" X 4" GR8 PLATED		2
14	P0118112	BOLT 5/16" X 3-1/4" GR8 PLATED		2
15	P0134027	LOCKNUT-NYLON-5/16" GRADE 8		3
16	P0134023	LOCKNUT-NYLON-1/4" GR8		5
17	P0134008	LOCKNUT-NYLON-1/2" GRADE 8		2
18	P0134026	LOCKNUT-NYLON-3/8" GR 8 (10-17402)		1
19	P0151010	WASHER FLAT 5/16" PLATED USS		1
20	P0151006	WASHER FLAT 1/4" PLATED USS		8
21	P0162012	PIN HITCH 1/4" X 1-3/4" WIRE LOCK		1
22	P0541002	SPRING NOZZLE GV PLTD.		1
23	P7090-00-0009	WHEEL 6" X 1 1/2"		2
25	38-112829	HANDLE WITH GRIPS KIT		1
26	38-108401	CHAMFER NOZZLE ASSY 7"		1

VR12 STANDARD HOSES





VR12 STANDARD HOSES

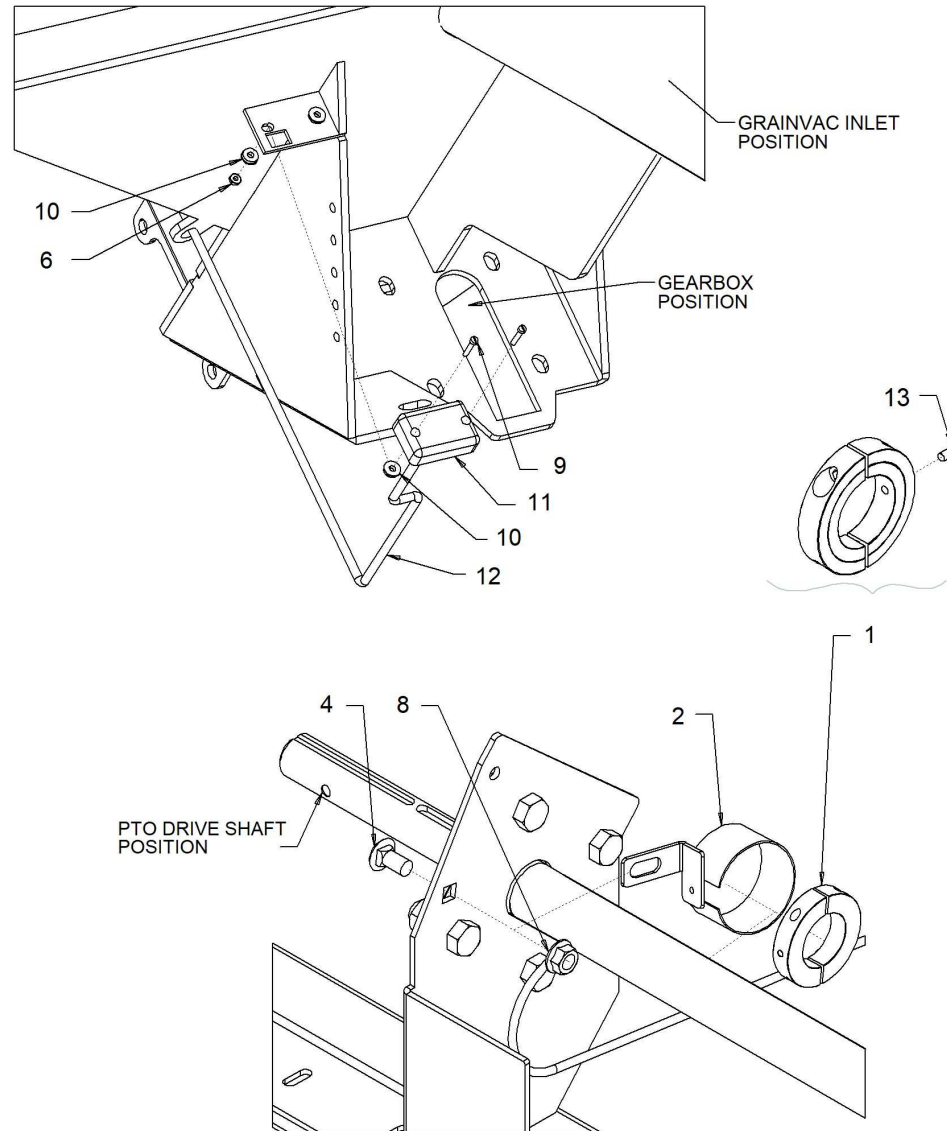
Item No.	Part No.	Description	Note	Qty.
1	45-113257	TELESCOPE ASSY VR12		1
2	45-113256	TELESCOPE 10" VR12		1
3	45-113255	TELESCOPE 8-5/8" VR12		1
4	45-113184	HOSE ASSY SSTEEL 8" X 40"		4
5	38-111569	HOSE ASSY SSTEEL 8"X29"		1
6	55-111081	HOSE ASSY ALUM 8"X5'		1
7	38-111393	HOSE ASSY BKTWEAV 8"X8'		1
8	55-111079	HOSE ASSY ALUM 8"X8'		2
9	38-110676	FLOOR SWEEP ASSY 8"		1
10	55-111828	LOAD OUT NOZZLE ASSY 8"		1
11	38-110537	HOSE END 8"M		6
12	55-111080	8" X 5' ALUM PIPE		1
13	P3420-08-0080	HOSE BKTWEAV 8"X80"		1
14	P6190-00-0128	HOSE CLAMP 8" / 10"		2
15	55-111078	8" X 8' ALUM PIPE		2
16	P55-112660	HOSE END CLAMP COMP 8"		2
17	38-110058	SWEEP FLAT HANDLE		2
18	38-110798	SWEEP HANDLE ASSY		2
19	38-110646	FLOORSWEEP WEARSTRIP KIT		1
20	P0163014	PIN LYNCH 1/4" X 1-1/4"		2
21	38-112494	AIR RESTRICTOR ASSY 8"		1
22	P0134023	LOCKNUT-NYLON-1/4" GR8		4
23	P0115117	BOLT SKT BUT 1/4X1/2"		4
24	P3420-01-0011	RUBBER HANDLE GRIPS		2
25	55-112581	HOSE CLAMP 8"		6
26	P0186008	RIVET-SHLWTUB 3/16" X 5/16"		67
27	P3422-08-0006	HOSE-STEEL STNLSS 8" X40"		4
28	P3422-08-0005	HOSE-STEEL STNLSS 8" X 29"		1
29	P0134105	LOCKNUT-TENSILOCK-5/16"		1



VR12 STANDARD HOSES

Item No.	Part No.	Description	Note	Qty.
30	38-110540	HOSE CLAMP TUBE 8"		1
31	55-111830	SLIDING DOOR ASSY 8 INCH		1
32	P5195-02-8013	HANDLE HOSE CLAMP 8"		1
33	P0134023	LOCKNUT-NYLON-1/4" GR8		2
34	P0151006	WASHER FLAT 1/4"PLATED USS		6
35	P0820207	CAP VINYL 0.187" X 1.25" X 2.5"		2
36	38-111783	S HANDLE BENT		1
37	55-111827	ALUM- LOAD OUT TUBE 8 INCH	SEE LINE 10	1
38	P5195-01-7012	HOSE CLAMP ADJUSTER		1
39	P0113027	CARRIAGE BOLT 1/4"X3/4" PLATED		2
40	P0113026	CARRIAGE BOLT 1/4"X2" PLATED F/T		1
41	P0134104	LOCKNUT-TENSILOCK-1/4"GR5(10-19594)		3

VR12 SENDEC METER ASSEMBLY

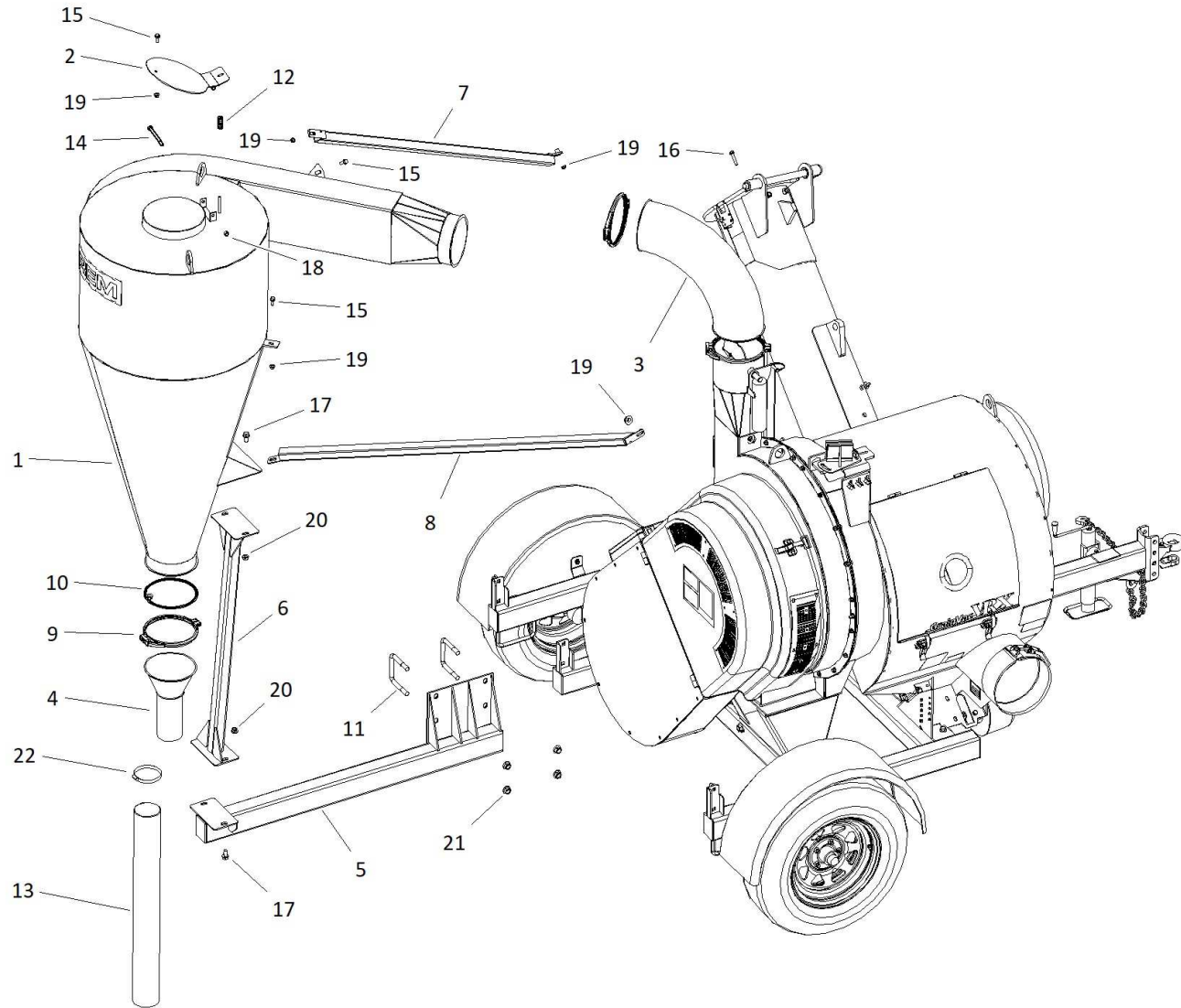




VR12 SENDEC METER ASSEMBLY

Item No.	Part No.	Description	Note	Qty.
1	38-113058	SHAFT COLLAR 2PC KIT		1
2	45-113320	SENDEC GUARD COMPLETE		1
4	P0113021	CARRIAGE BOLT 1/2"X1" PLATED		1
6	P0131109	NUT #6 MACHINE SCREW		2
8	P0134108	LOCKNUT-TENSILOCK-1/2"		1
9	P0142009	SCREW FILL SLT #6 X 3/4"		2
10	P0154000	WASHER BOND SEAL #10		4
11	P8500-00-0001	TACH-SENDEC HOUR METER		1
12	P0951039	LOOM-1/4"SPLIT	4 ft.	1
13	P8500-00-0003	MAGNET ROD 5MM X 10MM		1

VR12 DUST COLLECTOR ASSEMBLY





VR12 DUST COLLECTOR ASSEMBLY

Item No.	Part No.	Description	Qty.
1	45-113095	DUST COLLECTOR BODY	1
2	45-113099	DUST COLLECTOR LID	1
3	45-113153	EXHAUST 90 DEGREE 8" TUBE	1
4	45-113175	DUST COLLECT BTM OUTLET	1
5	45-113268	DUST COLLECT FRAME BRACE VR12	1
6	45-113269	DUST COLLECT LEG BRACE VR12	1
7	45-113270	DUST COLLECT TOP BRACE	1
8	45-113271	DUST COLLECT CRADLE BRACE VR12	1
9	2391-00-0002	PULL RING 200MM	1
10	2391-00-0004	GASKET U-SHAPED 200MM	1
11	P0183023	U-BOLT 9"X3" (3/4") PTD	2
12	P6777-02-0071	DUST COLLECTOR LID SPRING	1
13	P3420-04-0003	HOSE HD RUB 4" (PER FOOT)	1
14	P0115058.	BOLT HEX 3/8 X 5	1
15	P0115205	BOLT FLANGE 3/8 X 1" PLATED	3
16	P0115211	BOLT WHIZ 3/8 X 2" GR5	1
17	P0115217	BOLT FLANGE 1/2 X 1" PLATED	4
18	P0134006	SEE P0134026	1
19	P0134106	LOCKNUT-TENSILOCK-3/8"	4
20	P0134108	LOCKNUT-TENSILOCK-1/2"	4
21	P0134109	LOCKNUT-TENSILOCK-5/8" GR5	4
22	P0184002	HOSE CLAMP 4"	1