



HX100 SERIES

**PORTABLE GRAIN AUGER
PARTS MANUAL**

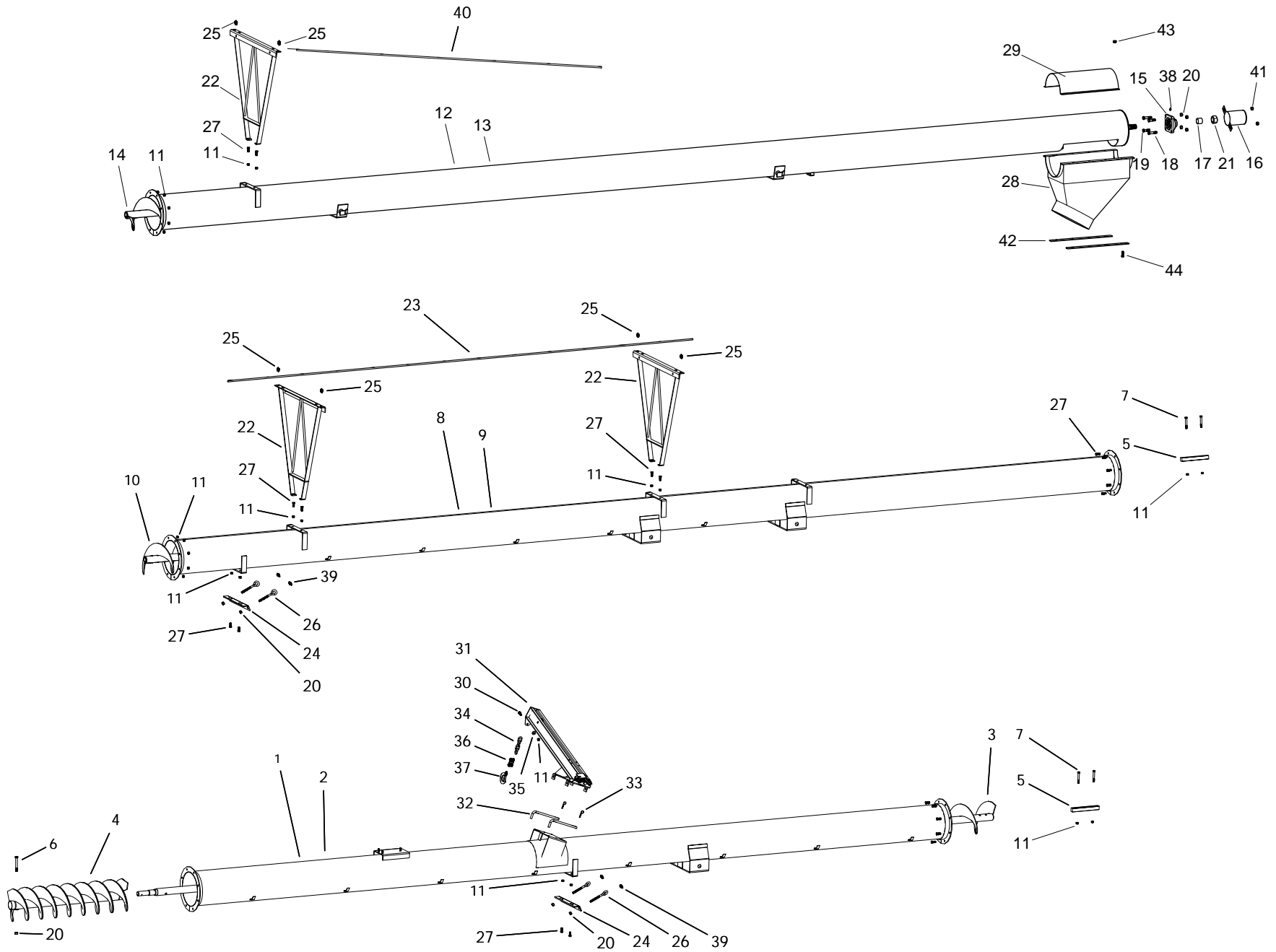
TABLE OF CONTENTS

DESCRIPTION	PAGE
HX100-63 TUBE & TRUSS COMPONENTS	4
HX100-73 TUBE & TRUSS COMPONENTS	6
HX100-83 TUBE & TRUSS COMPONENTS	8
HX100-63 FRAME COMPONENTS	10
HX100-73 FRAME COMPONENTS	12
HX100-83 FRAME COMPONENTS	14
HX100-63 HYDRAULIC CYLINDER	16
HX100-73 HYDRAULIC CYLINDER	17
HX100-83 HYDRAULIC CYLINDER	18
HX100 BOOT	20
HX100 SWING TUBE	24
HX100 LOW PROFILE HOPPER	26
HX100 HYDRAULIC WINCH [A296]	28
HX100 HYDRAULIC VALVE [A336]	30
HX100 RIGHT ANGLE DRIVE [A293]	32
HX100 REVERSING KIT [A292]	34
A363WH ELECTRIC LANDING GEAR POWER SWING-10"	36
A362WH HYDRAULIC LANDING GEAR POWER SWING-10"	38
HX100 UPPER GEARBOX	42
HX100 LOWER GEARBOX	44
HX100-63, 73 CONSTANT VELOCITY PTO SHAFT (WEASLER)	46
HX100-83 CONSTANT VELOCITY PTO SHAFT (WEASLER)	47
HX100 WORK LIGHT KIT	48

HX100-63 TUBE & TRUSS COMPONENTS

ITEM	PART NO.	DESCRIPTION
1	10-23958	HX1063 LOWER TUBE BDL
2	10-23959	HX1063 LOWER TUBE ONLY
3	10-24059	HX1063 LOWER FLIGHT W/BOOT FLIGHT
4	10-23971	HX10 BOOT FLIGHT
5	10-21690	MKX/X10 FLIGHT CONNECTING SHAFT
6	10-18947	BOLT, 1/2" X 4" NC GR 8 PLTD
7	10-19546	7/16" X 3" NC BOLT GR 5 PLTD
8	10-23960	HX1063/73 MIDDLE TUBE BDL
9	10-23961	HX1063/73 MIDDLE TUBE ONLY
10	10-21693	MKX1063/73 MIDDLE FLIGHT
11	10-19598	LOCKNUT, 7/16"
12	10-23962	HX1063/73 UPPER TUBE BDL
13	10-23963	HX1063/73 UPPER TUBE ONLY
14	10-21696	MKX100-53/63/73 UPPER FLIGHT
15	10-19567	BEARING, 1-1/4" PILLOW
16	10-27576WH	COVER, THRUST ADJUSTER
17	10-21657	BUSHING, MKX/X10 THRUST ADJUSTER
18	10-27816	1/2" X 2" NC BOLT GR 5 PLTD
19	10-19974	BOLT, 1/2" x 1-3/4" GR8
20	10-19599	1/2" NC NYLON LOCKNUT GR 2 PLTD
21	10-21615	1-1/4" NF HEX NUT GR 5 PLAIN
22	4504083	LOW TRUSS, 30"
23	10-27503	85' 6" CABLE
24	10-18032WH	X10 TRUSS ATTACH ANGLE
25	10-19333	5/16" CABLE CLAMP
26	10-19331	1/2" EYEBOLT
27	10-19542	7/16" X 1" NC BOLT GR 5 PLTD
28	10-24331	10" X 60 DEG PLASTIC SPOUT BODY
29	10-24333	BACK BAND, 10" - 18 LG
30	10-18698	BOLT, 7/16" X 1-1/4"
31	10-21629	MKX/X100 HOPPER LIFT ARM
32	10-18074	MOUNT PIN
33	10-19463	210 HITCH PIN
34	10-21818	MKX/X10 LIFT ARM TRANSPORT HOOK ASSEMBLY
35	10-17182	1"OD X 29/64"ID X 10 GA WASHER PLTD
36	10-20083	5/16" MIDLINK
37	10-28997	HOOK W LATCH
38	10-19222	1/4" #28 GREASE ZERK
39	10-18990	3/8" CABLE CLAMP
40	10-28261	1/2" SERRATED FLANGE NUT GR 2 PLTD
41	10-24332	10" PLASTIC SPOUT REINFORCEMENT BAR
42	10-19539	5/16" X 2" NC BOLT GR 2 PLTD
43	10-19980	5/16" NC NYLON LOCKNUT PLTD

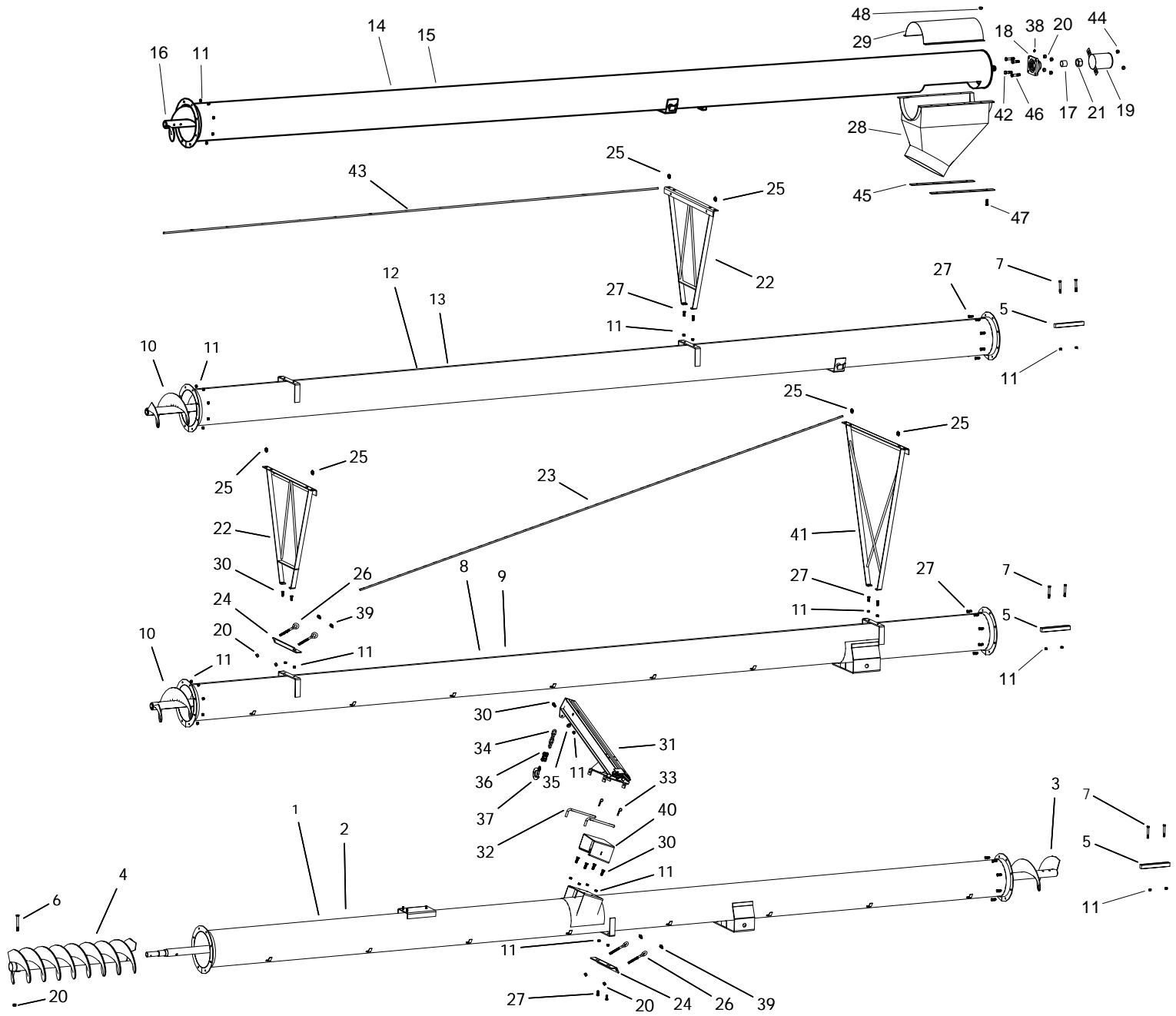
HX100-73 TUBE & TRUSS COMPONENTS



HX100-73 TUBE & TRUSS COMPONENTS

ITEM	PART NO.	DESCRIPTION
1	10-23974	HX1073/83 LOWER TUBE BDL
2	10-23975	HX1073/83 LOWER TUBE ONLY
3	10-24060	HX1073/83 LWR FLIGHT W/BOOT FLIGHT
4	10-23971	HX10 BOOT FLIGHT
5	10-21690	MKX/X10 FLIGHT CONNECTING SHAFT
6	10-18947	BOLT, 1/2" X 4" NC GR 8 PLTD
7	10-19546	7/16" X 3" NC BOLT GR 5 PLTD
8	10-23960	HX1063/73 MIDDLE TUBE BDL
9	10-23961	HX1063/73 MIDDLE TUBE ONLY
10	10-21693	MKX1063/73 MIDDLE FLIGHT
11	10-19598	LOCKNUT, 7/16"
12	10-23962	HX1063/73 UPPER TUBE BDL
13	10-23963	HX1063/73 UPPER TUBE ONLY
14	10-21696	MKX100-53/63/73 UPPER FLIGHT
15	10-19567	BEARING, 1-1/4" PILLOW
16	10-27576WH	COVER, THRUST ADJUSTER
17	10-21657	BUSHING, MKX/X10 THRUST ADJUSTER
18	10-27816	1/2" X 2" NC BOLT GR 5 PLTD
19	10-19974	BOLT, 1/2" x 1-3/4" GR8
20	10-19599	1/2" NC NYLON LOCKNUT GR 2 PLTD
21	10-21615	1-1/4" NF HEX NUT GR 5 PLAIN
22	4504083	LOW TRUSS, 30"
23	10-17653	LIFT CABLE, 106' X 3/8"
24	10-18032WH	X10 TRUSS ATTACH ANGLE
25	10-19333	5/16" CABLE CLAMP
26	10-19331	1/2" EYEBOLT
27	10-19542	7/16" X 1" NC BOLT GR 5 PLTD
28	10-24331	10" X 60 DEG PLASTIC SPOUT BODY
29	10-24333	BACK BAND, 10" - 18 LG
30	10-18698	BOLT, 7/16" X 1-1/4"
31	10-21629	MKX/X100 HOPPER LIFT ARM
32	10-18074	MOUNT PIN
33	10-19463	210 HITCH PIN
34	10-21818	MKX/X10 LIFT ARM TRANSPORT HOOK ASSEMBLY
35	10-17182	1"OD X 29/64"ID X 10 GA WASHER PLTD
36	10-20083	5/16" MIDLINK
37	10-28997	HOOK W LATCH
38	10-19222	1/4" #28 GREASE ZERK
39	10-18990	3/8" CABLE CLAMP
40	10-21819	X1073 TRUSS CABLE
41	10-28261	1/2" SERRATED FLANGE NUT GR 2 PLTD
42	10-24332	10" PLASTIC SPOUT REINFORCEMENT BAR
43	10-19980	5/16" NC NYLON LOCKNUT PLTD
44	10-19539	5/16" X 2" NC BOLT GR 2 PLTD

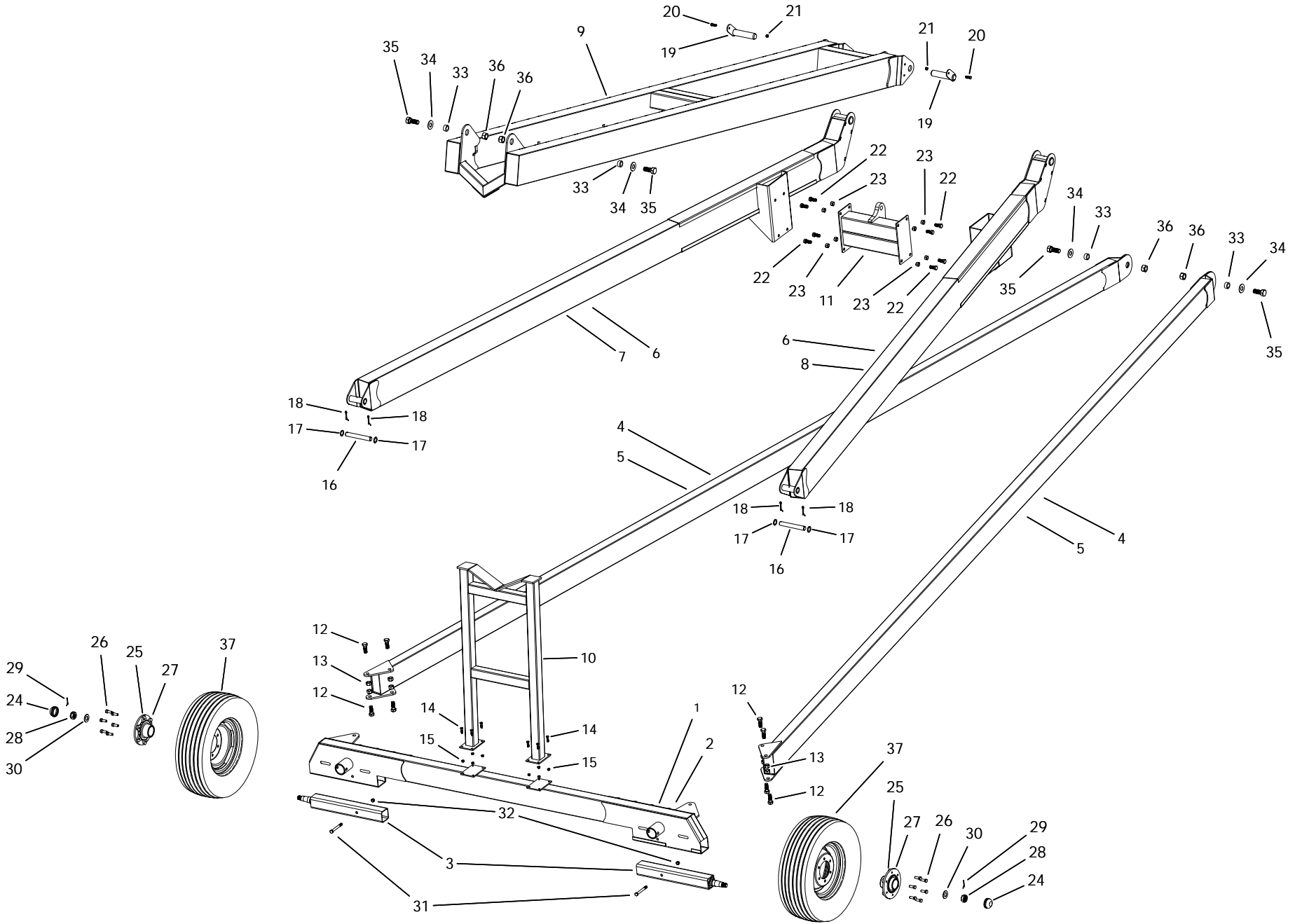
HX100-83 TUBE & TRUSS COMPONENTS



HX100-83 TUBE & TRUSS COMPONENTS

ITEM	PART NO.	DESCRIPTION
1	10-23974	HX1073/83 LOWER TUBE BDL
2	10-23975	HX1073/83 LOWER TUBE ONLY
3	10-24060	HX1073/83 LWR FLIGHT W/BOOT FLIGHT
4	10-23971	HX10 BOOT FLIGHT
5	10-21690	MKX/X10 FLIGHT CONNECTING SHAFT
6	10-18947	BOLT, 1/2" X 4" NC GR 8 PLTD
7	10-19546	7/16" X 3" NC BOLT GR 5 PLTD
8	10-23976	HX1083 LWR MIDDLE TUBE BDL
9	10-23977	HX1083 LWR MIDDLE TUBE ONLY
10	10-21695	MKX1083 MIDDLE FLIGHT
11	10-19598	LOCKNUT, 7/16"
12	10-23978	HX1083 UPR MIDDLE TUBE BDL
13	10-23979	HX1083 UPPER MIDDLE TUBE ONLY
14	10-23980	HX1083 UPPER TUBE BDL
15	10-23981	HX1083 UPPER TUBE ONLY
16	10-21697	MKX100-83 UPPER FLIGHT
17	10-21657	BUSHING, MKX/X10 THRUST ADJUSTER
18	10-19567	BEARING, 1-1/4" PILLOW
19	10-27576WH	COVER, THRUST ADJUSTER
20	10-19599	1/2" NC NYLON LOCKNUT GR 2 PLTD
21	10-21615	1-1/4" NF HEX NUT GR 5 PLAIN
22	4504083	LOW TRUSS, 30"
23	10-27502	73' CABLE
24	10-18032WH	X10 TRUSS ATTACH ANGLE
25	10-19333	5/16" CABLE CLAMP
26	10-19331	1/2" EYEBOLT
27	10-19542	7/16" X 1" NC BOLT GR 5 PLTD
28	10-24331	10" X 60 DEG PLASTIC SPOUT BODY
29	10-24333	BACK BAND, 10" - 18 LG
30	10-18698	BOLT, 7/16" X 1-1/4"
31	10-21629	MKX/X100 HOPPER LIFT ARM
32	10-18074	MOUNT PIN
33	10-19463	210 HITCH PIN
34	10-21818	MKX/X10 LIFT ARM TRANSPORT HOOK ASSEMBLY
35	10-17182	1"OD X 29/64"ID X 10 GA WASHER PLTD
36	10-20083	5/16" MIDLINK
37	10-28997	HOOK W LATCH
38	10-19222	1/4" #28 GREASE ZERK
39	10-18990	3/8" CABLE CLAMP
40	10-21800	MKX/X100-83 LIFT ARM EXTENSION
41	4504174	42" TRUSS BRACKET
42	10-27816	1/2" X 2" NC BOLT GR 5 PLTD
43	10-21808	MKX/X1083 TRUSS CABLE
44	10-28261	1/2" SERRATED FLANGE NUT GR 2 PLTD
45	10-24332	10" PLASTIC SPOUT REINFORCEMENT BAR
46	10-19974	BOLT, 1/2" x 1-3/4" GR8
47	10-19539	5/16" X 2" NC BOLT GR 2 PLTD
48	10-19980	5/16" NC NYLON LOCKNUT PLTD

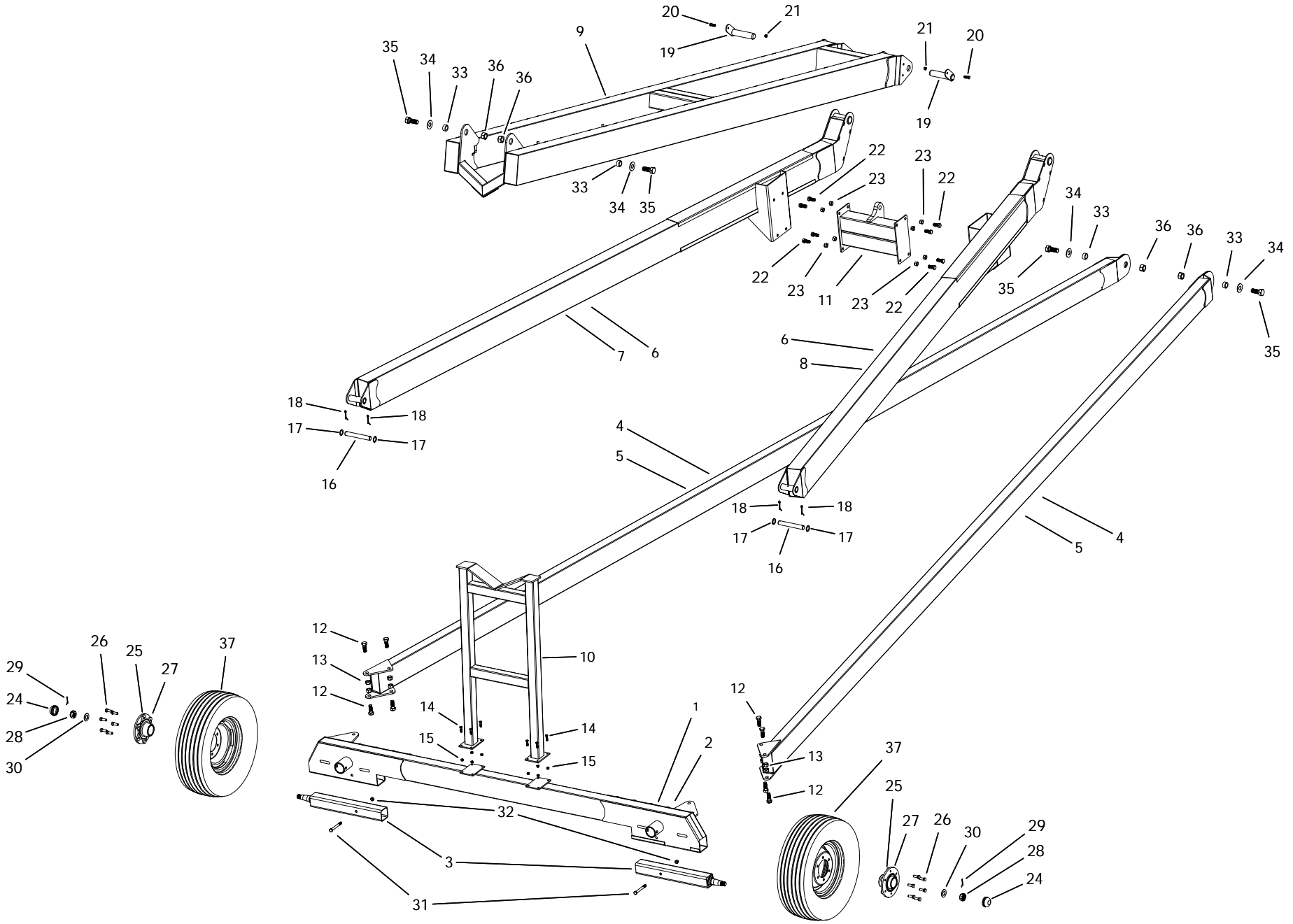
HX100-63 FRAME COMPONENTS



HX100-63 FRAME COMPONENTS

ITEM	PART NO.	DESCRIPTION
1	10-21765HM	HX1063/73 AXLE ASSY
2	10-21747HM	HX10 AXLE
3	10-21748HM	HX1063/73 AXLE EXTENSION
4	10-23982	HX1063 LOWER ARM BDL
5	10-21742HM	HX1063 LOWER REACH ARM
6	10-23985	HX1063 LOWER SCISSOR BUNDLE
7	10-21743HM	HX1063 LOWER SCISSOR RH
8	10-21744HM	HX1063 LOWER SCISSOR LH
9	10-21745HM	HX1063 UPPER SCISSOR
10	10-21746HM	HX10 TRANSPORT STAND
11	10-21757HM	HX10 SHORT CROSSMEMBER
12	10-19592	3/4" x 2" BOLT GR8
13	10-19601	3/4" NC NYLON LOCKNUT PLTD
14	10-19975	BOLT, 3/8" X 1-1/4" GR5
15	10-17402	3/8" NC NYLON LOCKNUT PLTD
16	10-20049	LOWER SCISSOR ATTACH PIN
17	10-18097	1" RIM WASHER
18	10-18098	COTTER PIN, 1/4" X 1-3/4"
19	10-21771	X10 SCISSOR PIN
20	10-18698	BOLT, 7/16" X 1-1/4"
21	10-19598	LOCKNUT, 7/16"
22	10-19590	BOLT, 5/8" X 1-1/2" GR8
23	10-19600	5/8" NYLON LOCKNUT
24	10-17012	Dust Cap
25	10-17013	HDA611Z HUB ASSEMBLY
26	10-17561	1/2" X 1-1/4" WHEEL BOLT
27	10-17009	6 BOLT HUB
28	10-17011	1" SLOTTED NUT
29	10-19271	1/8" X 1-1/2" COTTER PIN
30	10-17010	1" SAE WASHER
31	10-29160	1/2" X 4-1/2" NC BOLT GR 8 PLTD
32	10-19599	1/2" NC NYLON LOCKNUT GR 2 PLTD
33	10-20297	SPACER BUSHING, SHORT
34	10-17020	1" FLAT WASHER PLTD
35	10-28483	1" X 2-1/2" NC BOLT GR 5 PLTD
36	10-17019	1" NC NYLON LOCKNUT PLTD
37	10-29015	6 BOLT WHEEL ASSEMBLY

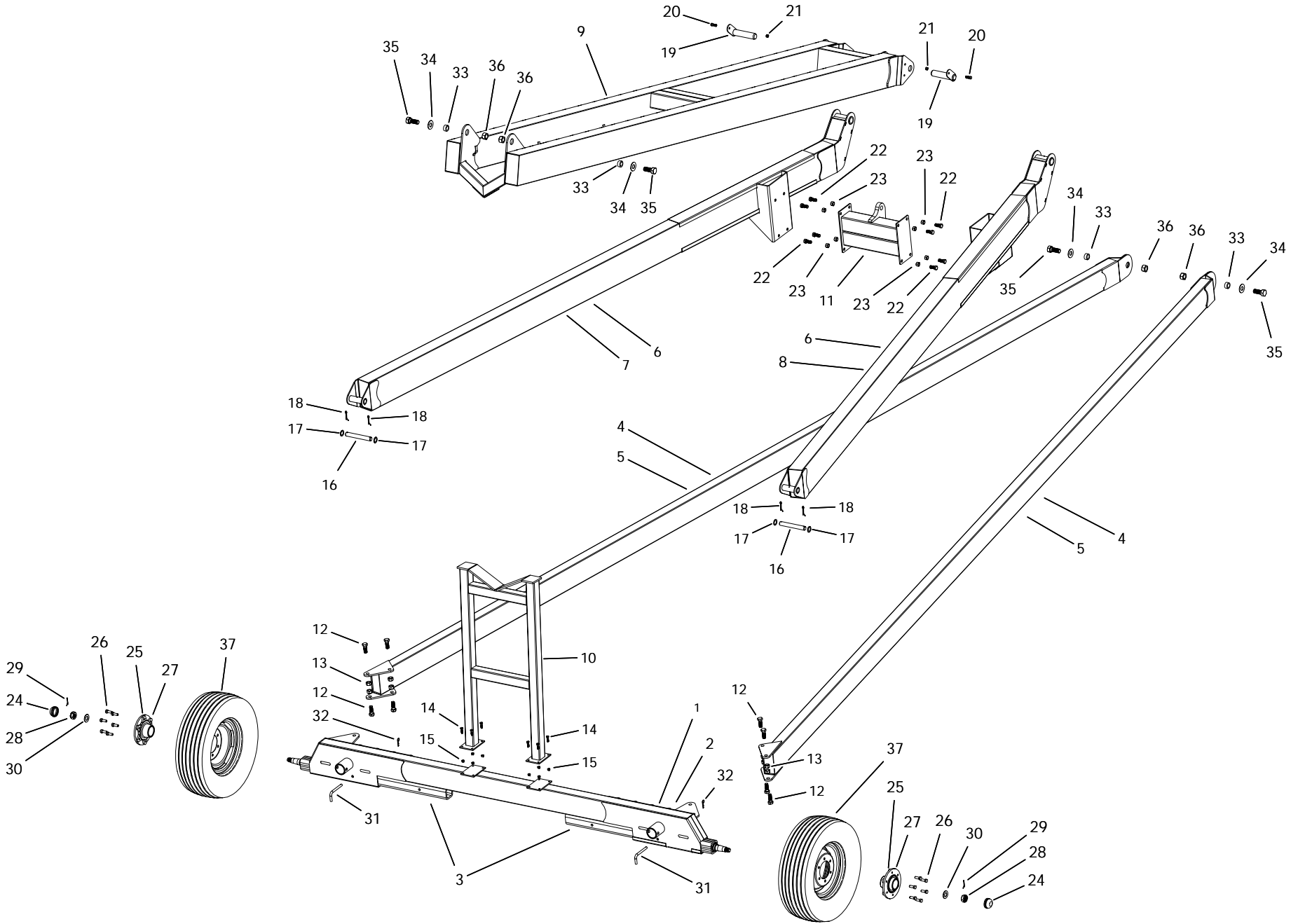
HX100-73 FRAME COMPONENTS



HX100-73 FRAME COMPONENTS

ITEM	PART NO.	DESCRIPTION
1	10-21765HM	HX1063/73 AXLE ASSY
2	10-21747HM	HX10 AXLE
3	10-21748HM	HX1063/73 AXLE EXTENSION
4	10-23983	HX1073 LOWER ARM BDL
5	10-21749HM	HX1073 LOWER REACH ARM
6	10-23986	HX1073 LOWER SCISSOR BUNDLE
7	10-21751HM	HX1073 LOWER SCISSOR RH
8	10-21750HM	HX1073 LOWER SCISSOR LH
9	10-21752HM	HX1073 UPPER SCISSOR
10	10-21746HM	HX10 TRANSPORT STAND
11	10-21757HM	HX10 SHORT CROSSMEMBER
12	10-19592	3/4" x 2" BOLT GR8
13	10-19601	3/4" NC NYLON LOCKNUT PLTD
14	10-19975	BOLT, 3/8" X 1-1/4" GR5
15	10-17402	3/8" NC NYLON LOCKNUT PLTD
16	10-20049	LOWER SCISSOR ATTACH PIN
17	10-18097	1" RIM WASHER
18	10-18098	COTTER PIN, 1/4" X 1-3/4"
19	10-21771	X10 SCISSOR PIN
20	10-18698	BOLT, 7/16" X 1-1/4"
21	10-19598	LOCKNUT, 7/16"
22	10-19590	BOLT, 5/8" X 1-1/2" GR8
23	10-19600	5/8" NYLON LOCKNUT
24	10-17012	Dust Cap
25	10-17013	HDA611Z HUB ASSEMBLY
26	10-17561	1/2" X 1-1/4" WHEEL BOLT
27	10-17009	6 BOLT HUB
28	10-17011	1" SLOTTED NUT
29	10-19271	1/8" X 1-1/2" COTTER PIN
30	10-17010	1" SAE WASHER
31	10-29160	1/2" X 4-1/2" NC BOLT GR 8 PLTD
32	10-19599	1/2" NC NYLON LOCKNUT GR 2 PLTD
33	10-20297	SPACER BUSHING, SHORT
34	10-17020	1" FLAT WASHER PLTD
35	10-28483	1" X 2-1/2" NC BOLT GR 5 PLTD
36	10-17019	1" NC NYLON LOCKNUT PLTD
37	10-29015	6 BOLT WHEEL ASSEMBLY

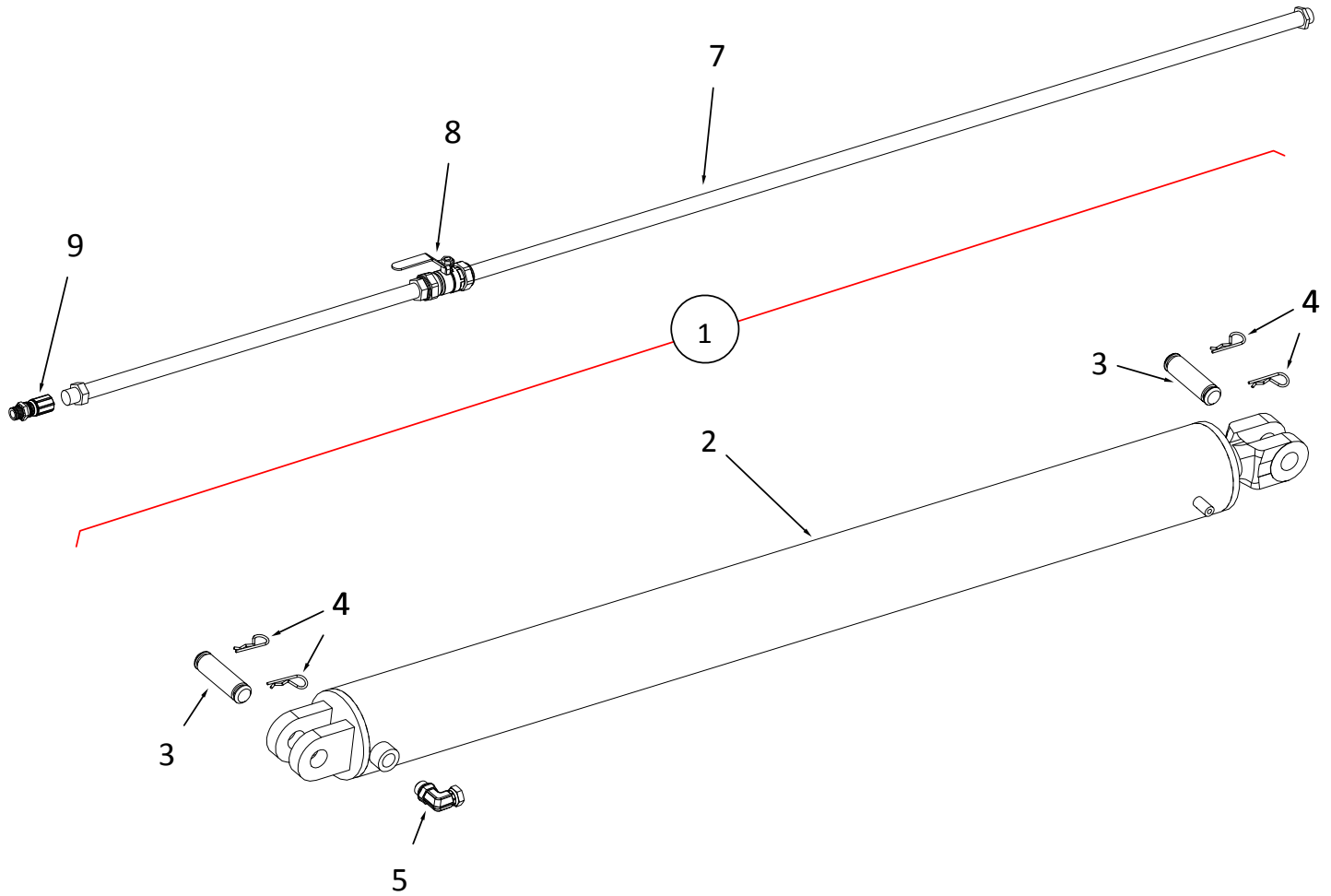
HX100-83 FRAME COMPONENTS



HX100-83 FRAME COMPONENTS

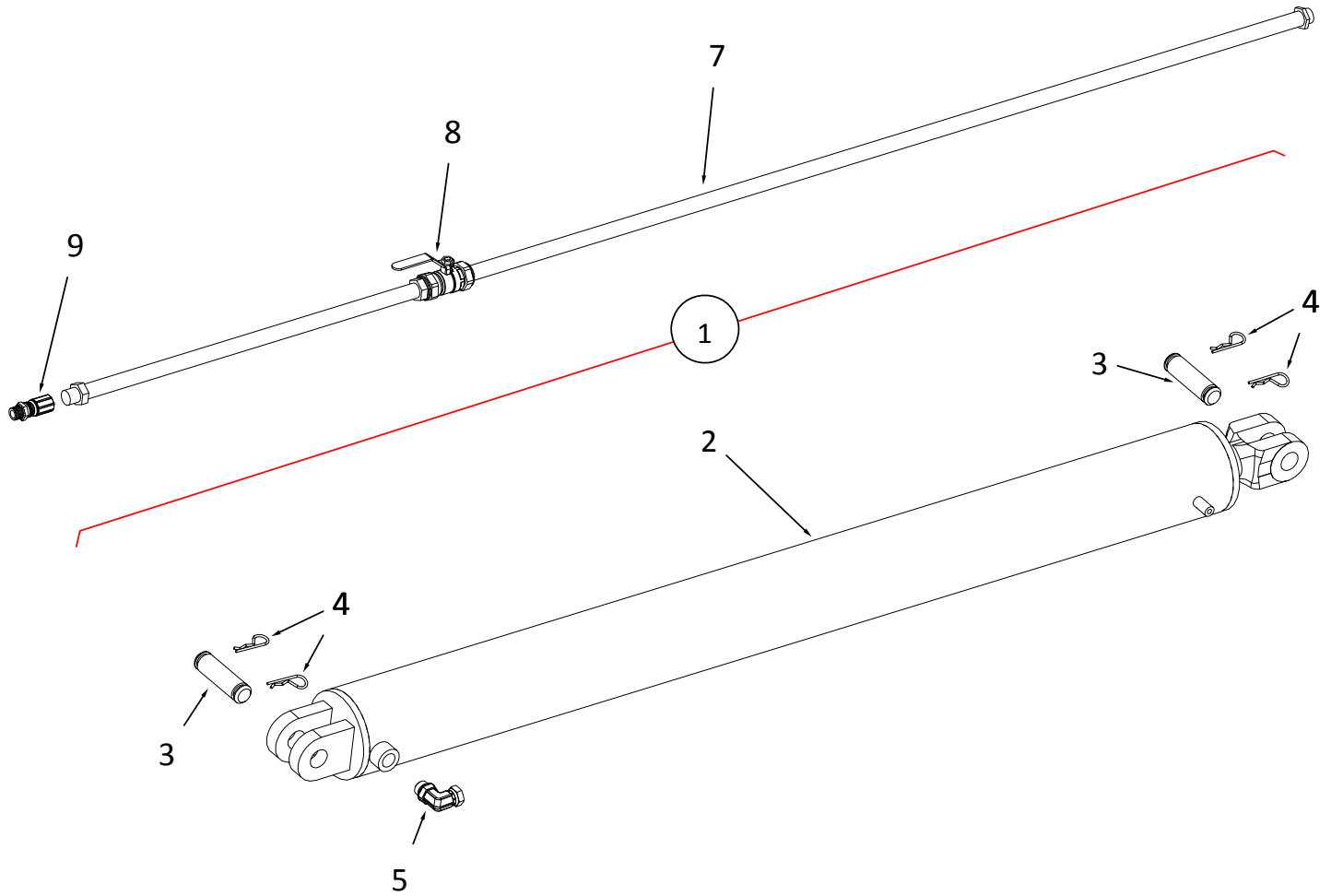
ITEM	PART NO.	DESCRIPTION
1	10-21766HM	HX1083 AXLE ASSY
2	10-21747HM	HX10 AXLE
3	10-22146HM	HX1083 AXLE EXTENSION
4	10-23984	HX1083 LOWER ARM BDL
5	10-21753HM	HX1083 LOWER REACH ARM
6	10-23987	HX1083 LOWER SCISSOR BUNDLE
7	10-21755HM	HX1083 LOWER SCISSOR, RH
8	10-21754HM	HX1083 LOWER SCISSOR, LH
9	10-21756HM	HX1083 UPPER SCISSOR
10	10-21746HM	HX10 TRANSPORT STAND
11	10-21757HM	HX10 SHORT CROSSMEMBER
12	10-19592	3/4" x 2" BOLT GR8
13	10-19601	3/4" NC NYLON LOCKNUT PLTD
14	10-19975	BOLT, 3/8" X 1-1/4" GR5
15	10-17402	3/8" NC NYLON LOCKNUT PLTD
16	10-20049	LOWER SCISSOR ATTACH PIN
17	10-18097	1" RIM WASHER
18	10-18098	COTTER PIN, 1/4" X 1-3/4"
19	10-21771	X10 SCISSOR PIN
20	10-18698	BOLT, 7/16" X 1-1/4"
21	10-19598	LOCKNUT, 7/16"
22	10-19590	BOLT, 5/8" X 1-1/2" GR8
23	10-19600	5/8" NYLON LOCKNUT
24	10-17012	Dust Cap
25	10-17013	HDA611Z HUB ASSEMBLY
26	10-17561	1/2" X 1-1/4" WHEEL BOLT
27	10-17009	6 BOLT HUB
28	10-17011	1" SLOTTED NUT
29	10-19271	1/8" X 1-1/2" COTTER PIN
30	10-17010	1" SAE WASHER
31	10-19648	SADDLE PIN
32	10-19463	210 HITCH PIN
33	10-20297	SPACER BUSHING, SHORT
34	10-17020	1" FLAT WASHER PLTD
35	10-28483	1" X 2-1/2" NC BOLT GR 5 PLTD
36	10-17019	1" NC NYLON LOCKNUT PLTD
37	10-29015	6 BOLT WHEEL ASSEMBLY

HX100-63 HYDRAULIC CYLINDER



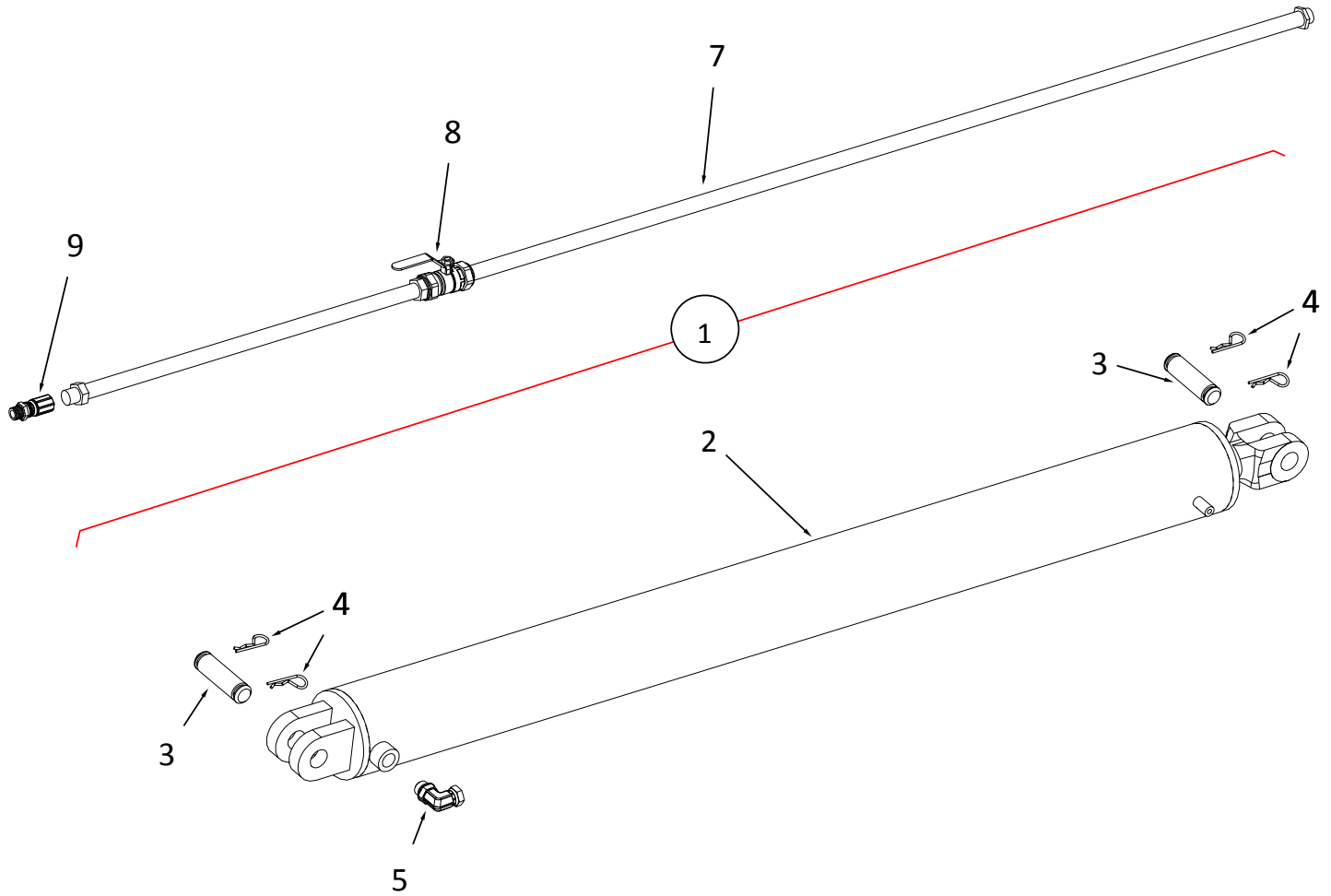
ITEM	PART NO.	DESCRIPTION
1	10-22000	HYD LIFT CYL ASSY
2	9900158	HYDRAULIC CYLINDER
3	4504128	PIN,CYL,DBL GROOVE,1X3-3/8
4	2605004	CLIP,HITCH PIN,EXTERNAL
5	10-28654	STEEL ELBOW 90DEG, 8MORB X 8FNPSM
7	10-21609	HYDRAULIC HOSE ASSEMBLY KIT (INCLUDES SHORT, LONG HOSE AND BALL VALVE)
8	10-18084	BALL VALVE
9	9900047	PIONEER COUPLER

HX100-73 HYDRAULIC CYLINDER

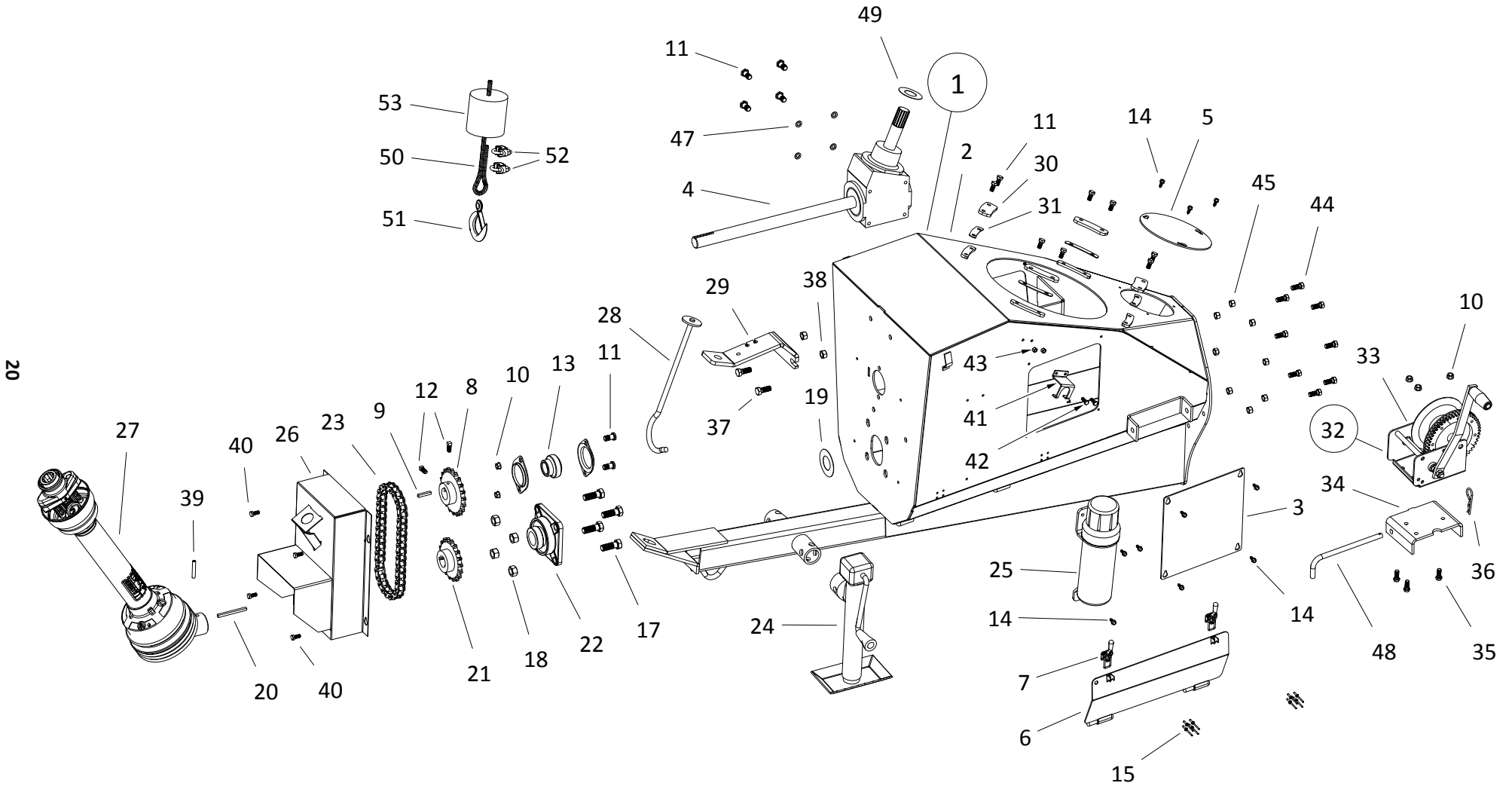


ITEM	PART NO.	DESCRIPTION
1	10-22000	HYD LIFT CYL ASSY
2	9900158	HYDRAULIC CYLINDER
3	4504128	PIN,CYL,DBL GROOVE,1X3-3/8
4	2605004	CLIP,HITCH PIN,EXTERNAL
5	10-28654	STEEL ELBOW 90DEG, 8MORB X 8FNPSM
7	10-21610	HYDRAULIC HOSE ASSEMBLY KIT (INCLUDES SHORT, LONG HOSE AND BALL VALVE)
8	10-18084	BALL VALVE
9	9900047	PIONEER COUPLER

HX100-83 HYDRAULIC CYLINDER

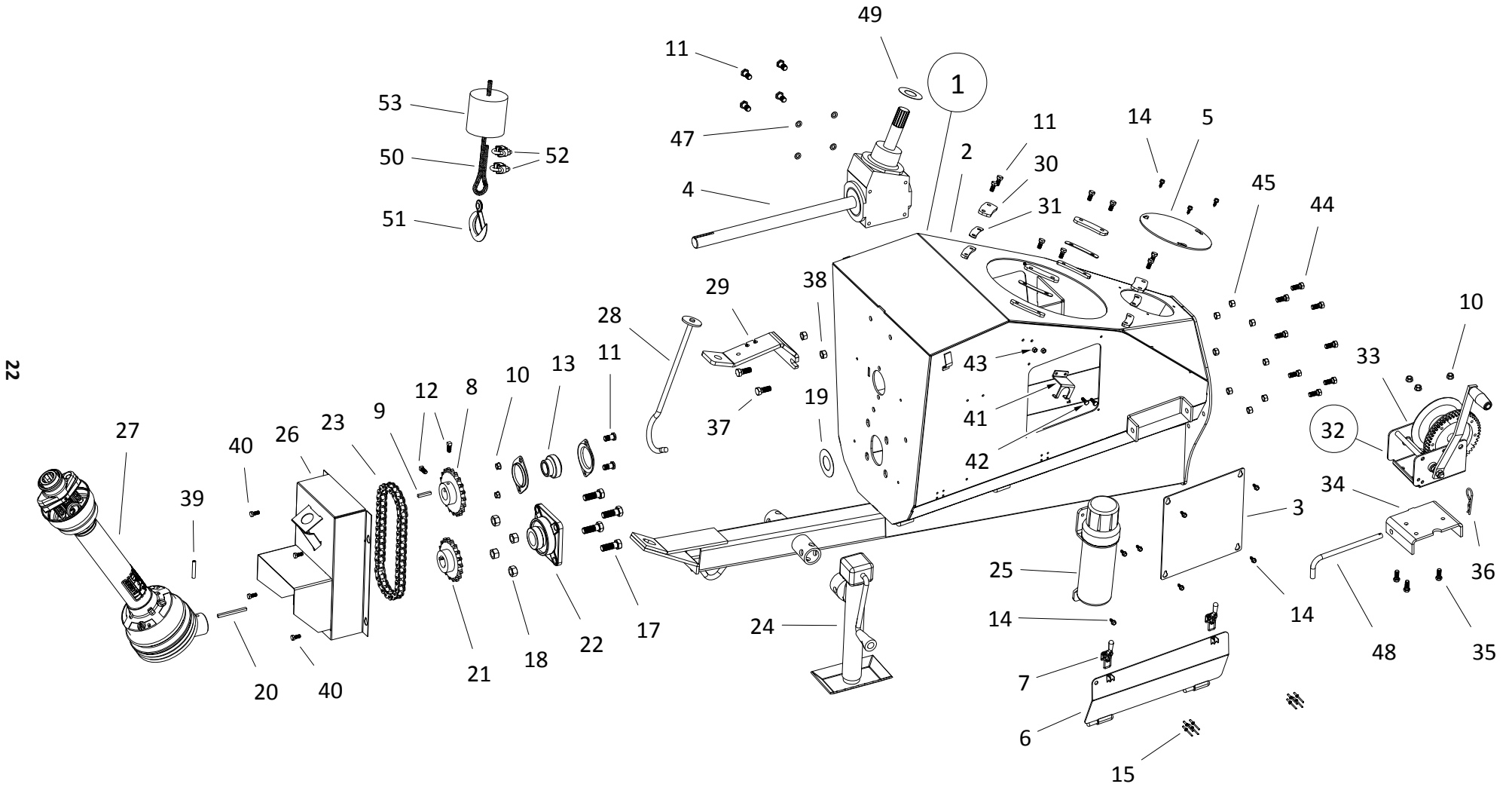


ITEM	PART NO.	DESCRIPTION
1	10-22000	HYD LIFT CYL ASSY
2	9900158	HYDRAULIC CYLINDER
3	4504128	PIN,CYL,DBL GROOVE,1X3-3/8
4	2605004	CLIP,HITCH PIN,EXTERNAL
5	10-28654	STEEL ELBOW 90DEG, 8MORB X 8FNPSM
7	10-21611	HYDRAULIC HOSE ASSEMBLY KIT (INCLUDES SHORT, LONG HOSE AND BALL VALVE)
8	10-18084	BALL VALVE
9	9900047	PIONEER COUPLER



HX100 BOOT

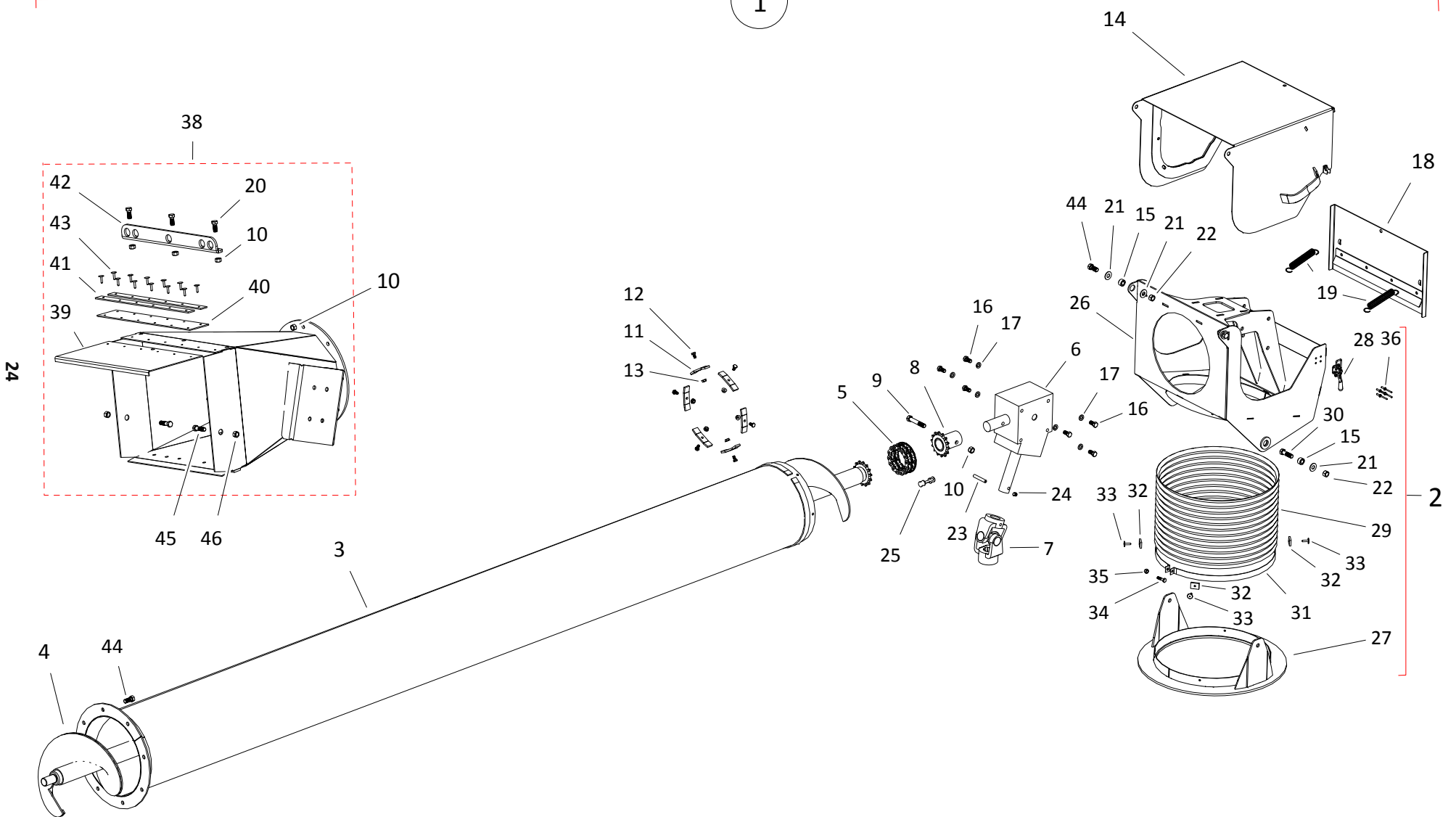
ITEM	PART NO.	DESCRIPTION
1	10-21632	MKX/X10 GEAR BOOT ASSEMBLY
2	10-21633	MKX/X10 GEAR BOOT ONLY
3	10-20061	BOOT SERVICE DOOR
4	10-21549	Lower Gear Box, complete
5	10-17374	COVER PLATE
6	10-21634	MKX/X10 CLEANOUT DOOR
7	10-20052	MA6512230 LATCH AND CATCH
8	10-18713	60B20 X 1-1/4 SPROCKET
9	10-19606	1/4" SQUARE X 1.5" KEY
10	10-19596	3/8" SERRATED FLANGE NUT
11	10-19540	3/8" X 3/4" BOLT GR5
12	10-29118	SETSCREW, 3/8" X 3/4" GR 8 SQ END
13	10-19322	2 HOLE BEARING ASSEMBLY
14	10-19274	#14 X 5/8" SMS AB GR 5 PLTD
15	10-23769	5/32 X 39/64 RIVET, LOW PROFILE
17	10-18544	BOLT, 5/8" X 1-3/4" GR5
18	10-19600	5/8" NYLON LOCKNUT
19	10-21707	RIM WASHER, 1-1/2"
20	10-21758	1/4" X 3-3/8" SQUARE KEY
21	10-21567	60B18 X 1-1/4 SPROCKET
22	10-17292	1-1/2" PILLOW BLOCK BEARING
23	10-18726	CHAIN
24	10-18080	JACK
25	10-29755	PLASTIC MANUAL HOLDER
26	10-21635	MKX/X10 SPROCKET COVER
27	10-18484	Complete PTO shaft
27	10-27481	Complete PTO shaft
28	10-18754	TRANSPORT SADDLE
29	10-20042	PTO BRACKET
30	10-29166	SPOUT HEAD RETAINERS
31	10-29152	SPOUT HEAD SPACER
32	200426	WINCH MOUNT ASSEMBLY (2019)
33	10-19152	WINCH & HANDLE
34	200425	WINCH BRACKET (2019)
35	10-18955	3/8" X 1" NC BOLT GR 5 PLTD
36	10-19463	210 HITCH PIN
37	10-19588	1/2" X 1-1/4" BOLT GR 5
38	10-19599	1/2" NC NYLON LOCKNUT GR 2 PLTD
39	10-18079	ROLL PIN, 5/16" X 2"
40	10-19538	5/16" X 3/4" BOLT GR2
41	10-21932	SHUT OFF VALVE HOLDER
42	9900800	1/4" X 3/4" NC BOLT GR5 PLTD
43	10-28449	1/4" NC NYLON LOCKNUT PLTD
44	10-19542	7/16" X 1" NC BOLT GR 5 PLTD
45	10-19598	LOCKNUT, 7/16"
47	10-19604	3/8" LOCK WASHER
48	10-18074	MOUNT PIN
49	10-17370	1-1/4" WIDE RIM WASHER
50	10-17376	LP HOPPER CABLE
51	10-28997	HOOK W LATCH



HX100 BOOT

ITEM	PART NO.	DESCRIPTION
52	10-19147	1/4" CABLE CLAMP
53	10-20793	HOPPER WEIGHT

1

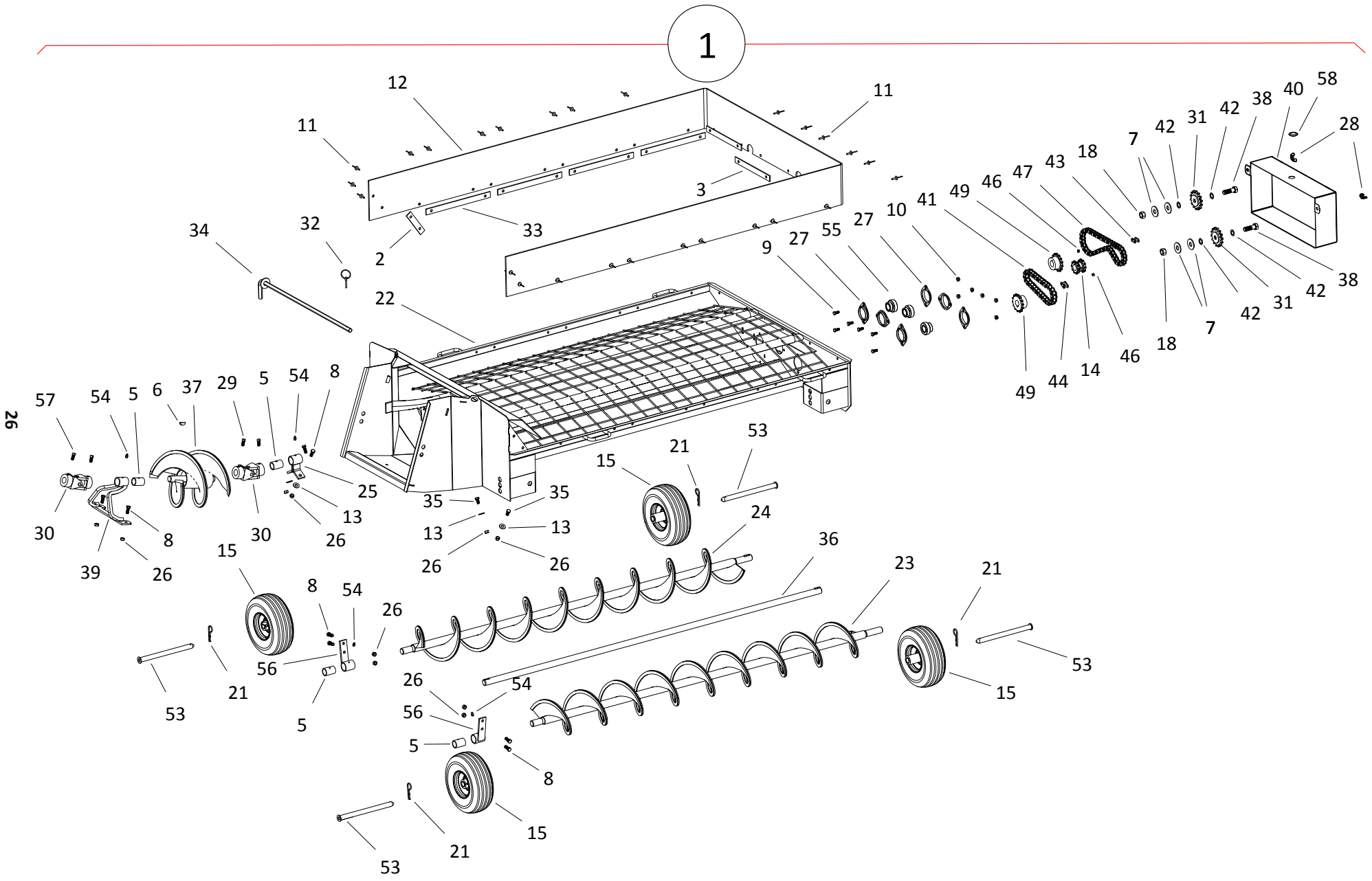


24

HX100 SWING TUBE

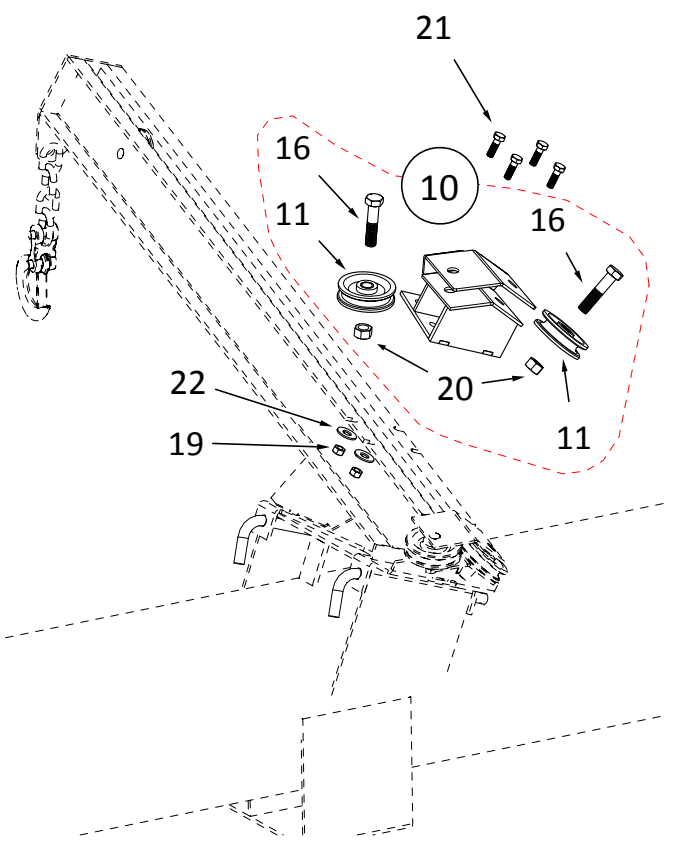
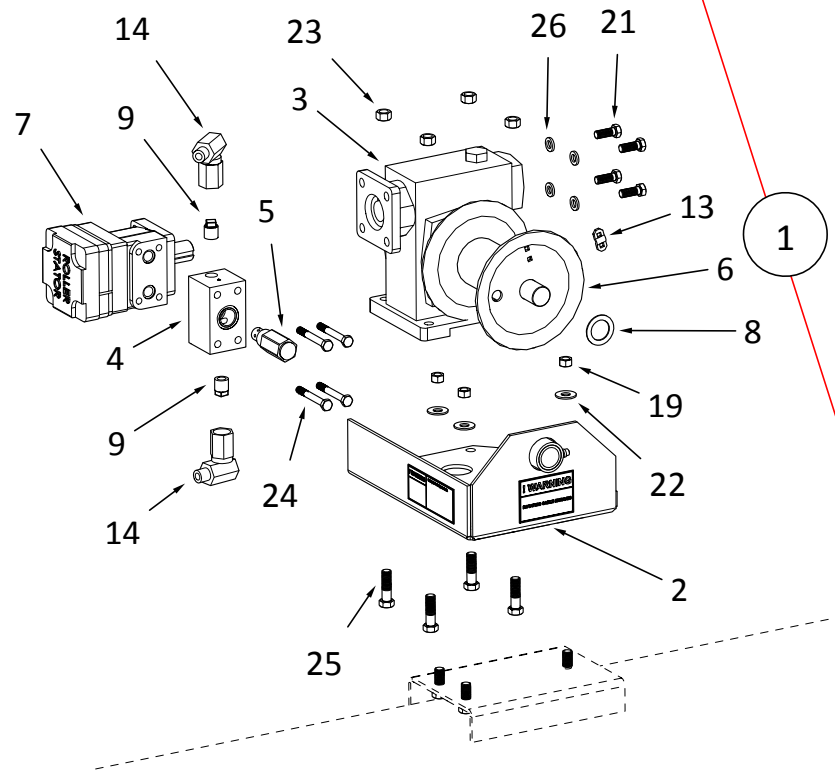
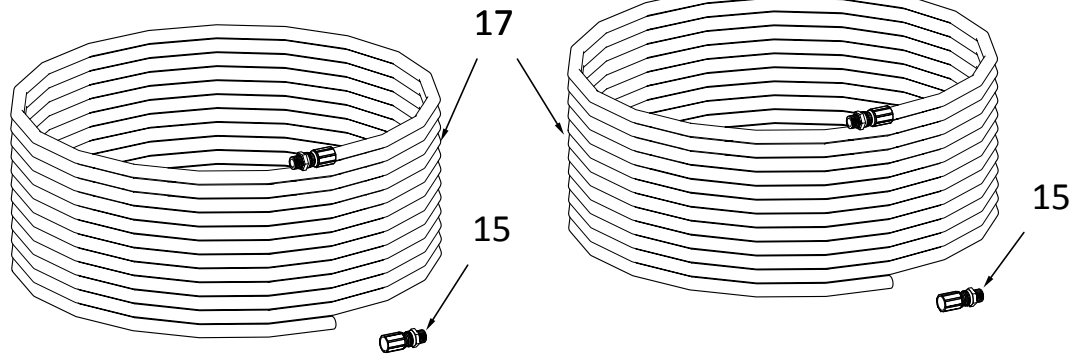
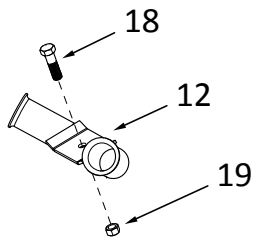
ITEM	PART NO.	DESCRIPTION
1	10-23964	HX10 GSTB AND LP TRANS ASSY
2	10-21649	MKX/X10 SPOUT HEAD ASSEMBLY
3	10-18866	SWING TUBE ONLY
4	10-23972	HX10 SWING TUBE FLIGHT
5	10-21571	#50-13P DOUBLE ROLLER CHAIN
6	10-18849	Upper gearbox, complete
7	10-18727	SPLINED U-JOINT (BLACK)
7A	10-17029	CROSS KIT
8	10-21568	50B14 CUSTOM SPROCKET C/W PIN HOLE
9	10-17747	7/16" X 2-1/2" NC BOLT GR 8 PLTD
10	10-19598	LOCKNUT, 7/16"
11	10-18877	STOP PLATE - HOPPER SPOUT
12	10-19537	BOLT, 1/4" X 1/2" HEX WSHR HEAD GR 5 PLTD
13	10-19594	FLANGE NUT, 1/4" PLTD
14	10-21642	MKX/X10 SPOUTHEAD LID
15	10-27889	LEVELLER BUSHING
16	10-19540	3/8" X 3/4" BOLT GR5
17	10-19604	3/8" LOCK WASHER
18	10-21643	MKX/X10 SPOUTHEAD DOOR
19	10-18728	EXTENSION SPRING
20	10-19542	7/16" X 1" NC BOLT GR 5 PLTD
21	10-17182	1"OD X 29/64"ID X 10 GA WASHER PLTD
22	10-17593	7/16" NC NYLON LOCKNUT GR5 YLW PLTD
23	10-18079	ROLL PIN, 5/16" X 2"
24	10-19225	3/8" X 3/8" SET SCREW
25	10-20048	#50 X 20P DOUBLE CHAIN CONNECTOR
26	10-21641	MKX/X10 SPOUTHEAD ONLY
27	10-21640	MKX/X10 SPOUTHEAD BASE
28	10-20052	MA6512230 LATCH AND CATCH
29	10-21604	14" ID X 10" LONG CLEAR FLEX HOSE
30	10-28744	BOLT, 7/16" X 1-1/2"
31	10-21770	MKX/X10 SPOUT HEAD HOSE STRAP
32	10-29252	DUCTING SECURE TAB
33	10-18185	ASF\0621 RIVET (LARGE FLANGE)
34	10-19988	1/4" X 1" NC BOLT GR2 PLTD
35	10-28449	1/4" NC NYLON LOCKNUT PLTD
36	10-23769	5/32 X 39/64 RIVET, LOW PROFILE
38	10-21686	TRANSITION ASSEMBLY
39	10-21100	LP TRANSITION ACCESS DOOR
40	10-21101	TRANSITION BELT
41	10-21102	TRANSITION BELT STRAP
42	10-21816	LIFT CABLE ATTACH BRACKET
43	10-20399	3/16" X 5/8" GRIP RIVET
44	10-18698	BOLT, 7/16" X 1-1/4"
45	10-19590	BOLT, 5/8" X 1-1/2" GR8
46	10-19600	5/8" NYLON LOCKNUT

HX100 LOW PROFILE HOPPER



HX100 LOW PROFILE HOPPER

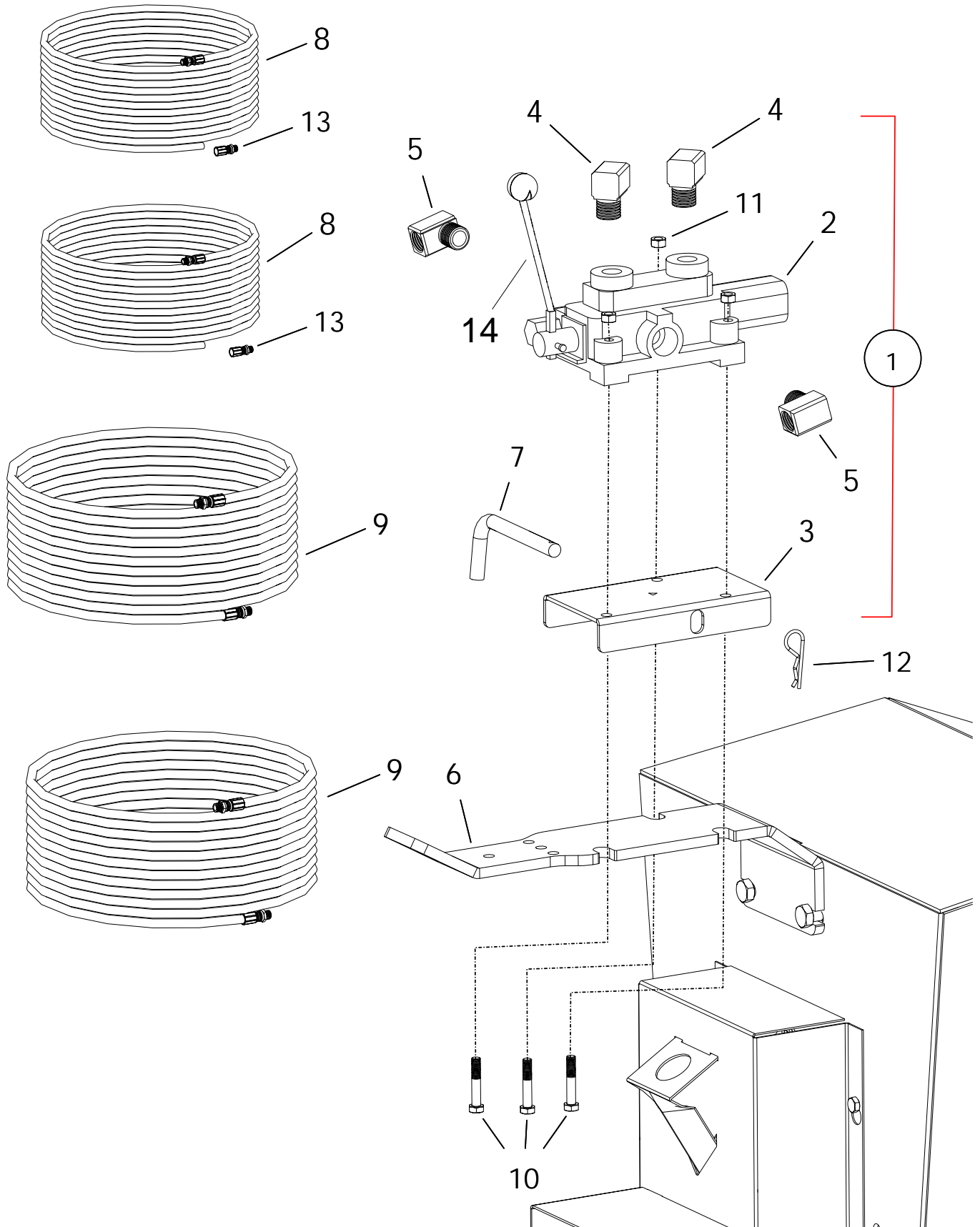
ITEM	PART NO.	DESCRIPTION
1	10-23965	HX10 LP HOPPER ASSEMBLY
2	10-22049	4-3/4 BELTING ATTACH STRAP
3	10-22050	10 BELTING ATTACH STRAP
5	10-19149	1" BUSHING
6	10-19224	1/4" x 1" WOODRUFF KEY
7	10-19966	5/8" FLAT WASHER PLTD
8	10-18955	3/8" X 1" NC BOLT GR 5 PLTD
9	10-19538	5/16" X 3/4" BOLT GR2
10	10-19595	5/16" FLANGENUT
11	10-20399	3/16" X 5/8" GRIP RIVET
12	10-29896	LP RUBBER BELTING
13	10-17392	3/8" FLAT WASHER
14	10-21566	DS50A10 X 1 SPROCKET
15	10-17522	LP Hopper Tires
18	10-19600	5/8" NYLON LOCKNUT
21	10-19463	210 HITCH PIN
22	10-29978	LP HOPPER ONLY
23	10-23966	LP HOPPER FLIGHT RH
24	10-23967	LP HOPPER FLIGHT LH
25	10-17352	TOP MOUNT BUSHING SUPPORT
26	10-17402	3/8" NC NYLON LOCKNUT PLTD
27	10-18694	1" FLANGETTE
28	10-20082	3/8" WINGNUT
29	10-29117	SETSCREW, 3/8" X 3/4" GR8 SQ END
30	10-29175	HIGH ANGLE LP U-JOINT
30A	10-17029	CROSS KIT
31	10-29894	50C15 X 5/8 IDLER SPROCKET
32	10-29998	LYNCH PIN 3/16 X 1-1/4 Y.ZINC PLTD
33	10-22051	12-1/2 BELTING ATTACH STRAP
34	10-20461	LP DOOR PIN
35	10-19540	3/8" X 3/4" BOLT GR5
36	10-17346	LP DRIVESHAFT
37	10-23973	HX100 LP NECK FLIGHT SECTION
38	10-27484	BOLT, 5/8" X 2-1/4" GR8
39	200401	ASSY, 10" NECK FLIGHT SUPPORT
40	10-29981	LP CHAIN COVER
41	10-21990	#50 - 1R X 29P ROLLER CHAIN
42	10-18096	5/8" RIM WASHER
43	10-20430	#50 (HEAVY) CONNECTOR LINK
44	10-19134	#50 CONNECTOR LINK
46	10-21872	SETSCREW, 5/16" X 5/16" GR 5
47	10-21991	#50 - 1R X 47P ROLLER CHAIN (HEAVY)
49	10-19131	SPROCKET, 50B14 x 1", SINGLE
53	10-17394	LP FIXED WHEEL AXLE
54	10-19222	1/4" #28 GREASE ZERK
55	10-18817	1" BEARING w/ COLLAR
56	10-17583	BUSHING SUPPORT
57	10-19225	3/8" X 3/8" SET SCREW
58	10-17584	PLUG



HX100 HYDRAULIC WINCH [A296]

ITEM	PART NO.	DESCRIPTION
1	10-17634	HYDRAULIC WINCH ASSEMBLY, RED
2	10-17628	HYD WINCH FRAME ASSM RED
3	10-17625	HYDRAULIC WINCH GEARBOX
4	10-28221	MANIFOLD WINCH RELIEF BLOCK
5	10-28222	VALVE WINCH NON-ADJ RELIEF MANIFOLD
6	10-17629	HYD WINCH DRUM RED
7	10-17626	HYDRAULIC MOTOR
8	10-18097	1" RIM WASHER
9	0308013	3/8" NTP PLASTIC PLUG
10	10-23134	LIFT ARM PULLEY GUIDE ASSEMBLY (2017)
11	10-21494	LIFT ARM PULLEY ASSEMBLY
12	10-17467	DOUBLE HOSE HOLDER
13	10-18496	ROPE KEEPER KIT
14	1100625	STEEL ELBOW 90,1/2FNPSMX3/8MNPT
15	9900047	PIONEER COUPLER
16	9900560	BOLT, 1/2" x 2-1/4" GR5 PLTD
17	10-22611	3/8" X 215" HYDRAULIC HOSE
18	10-29246	3/8" X 1" BOLT GR8 SHEAR
19	10-17402	3/8" NC NYLON LOCKNUT PLTD
20	10-17750	1/2" NC NYLON LOCKNUT GR 5 YLW PLTD
21	10-18955	3/8" X 1" NC BOLT GR 5 PLTD
22	10-17392	3/8" FLAT WASHER
23	10-19598	LOCKNUT, 7/16"
24	10-17631	5/16" X 2-1/2" NC BOLT GR 2 PLTD
25	10-28744	BOLT, 7/16" X 1-1/2"
26	10-19604	3/8" LOCK WASHER

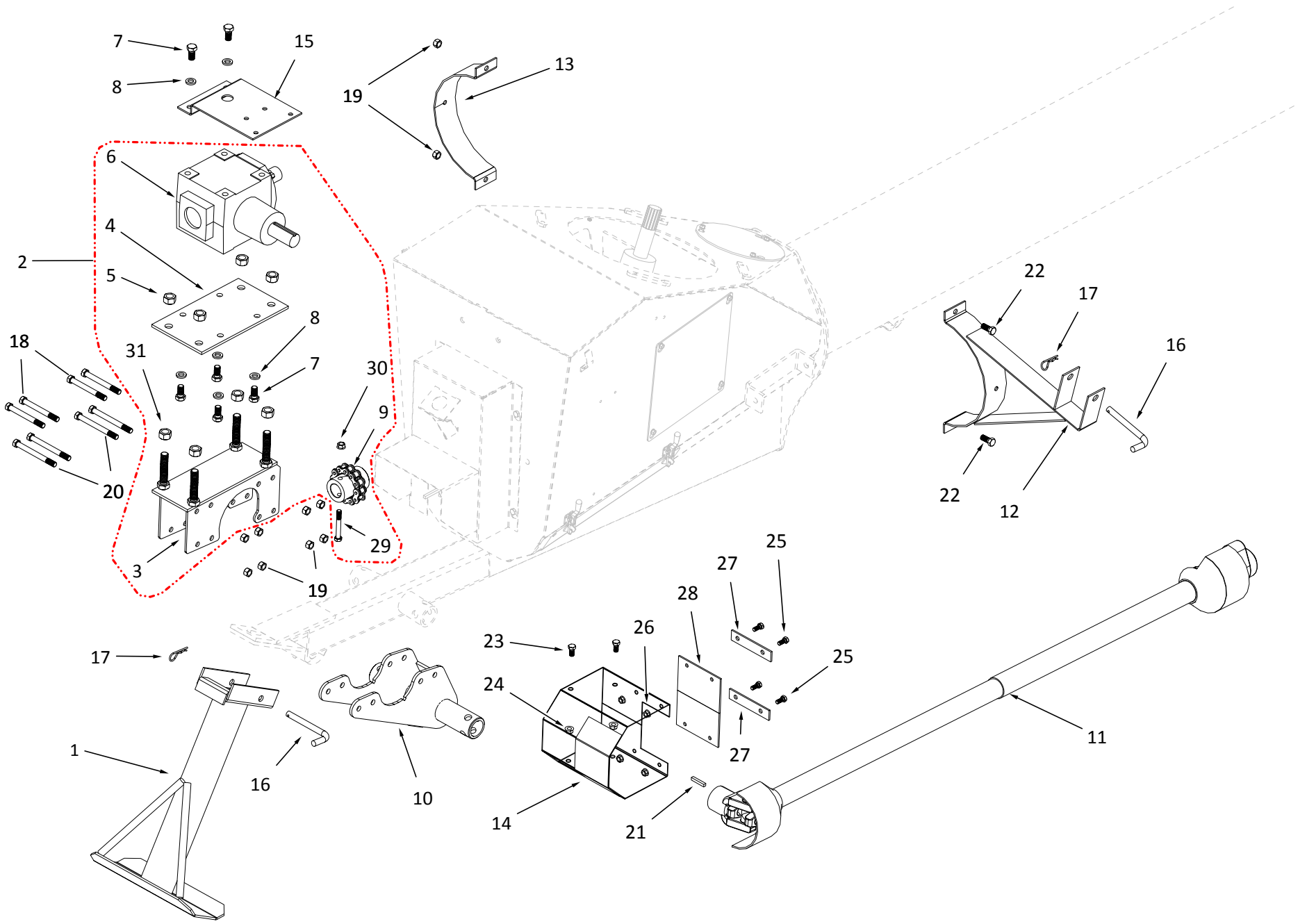
HX100 HYDRAULIC VALVE [A336]



HX100 HYDRAULIC VALVE [A336]

ITEM	PART NO.	DESCRIPTION
1	10-20132	HYD VALVE ASSEMBLY
2	10-17675	HYD VALVE ONLY
3	10-20044	VALVE MOUNT PLATE
4	10-28478	STEEL ELBOW 90, 8MNPT x 8FNPSM
5	10-29087	STEEL ELBOW 90, 12MNPT X 8FNPSM
6	10-20043	PTO/VALVE BRACKET, 10"/13"
7	10-19648	SADDLE PIN
8	10-21860	3/8" X 77" HYDRAULIC HOSE
9	10-21774	3/8" X 132" HYDRAULIC HOSE
10	10-17712	5/16" X 1-3/4" BOLT GR 5
11	10-19980	5/16" NC NYLON LOCKNUT PLTD
12	10-17383	3610 GRIP CLIP
13	9900047	PIONEER COUPLER
14	10-27590	POWERSWING VALVE HANDLE KIT

HX100 RIGHT ANGLE DRIVE [A293]



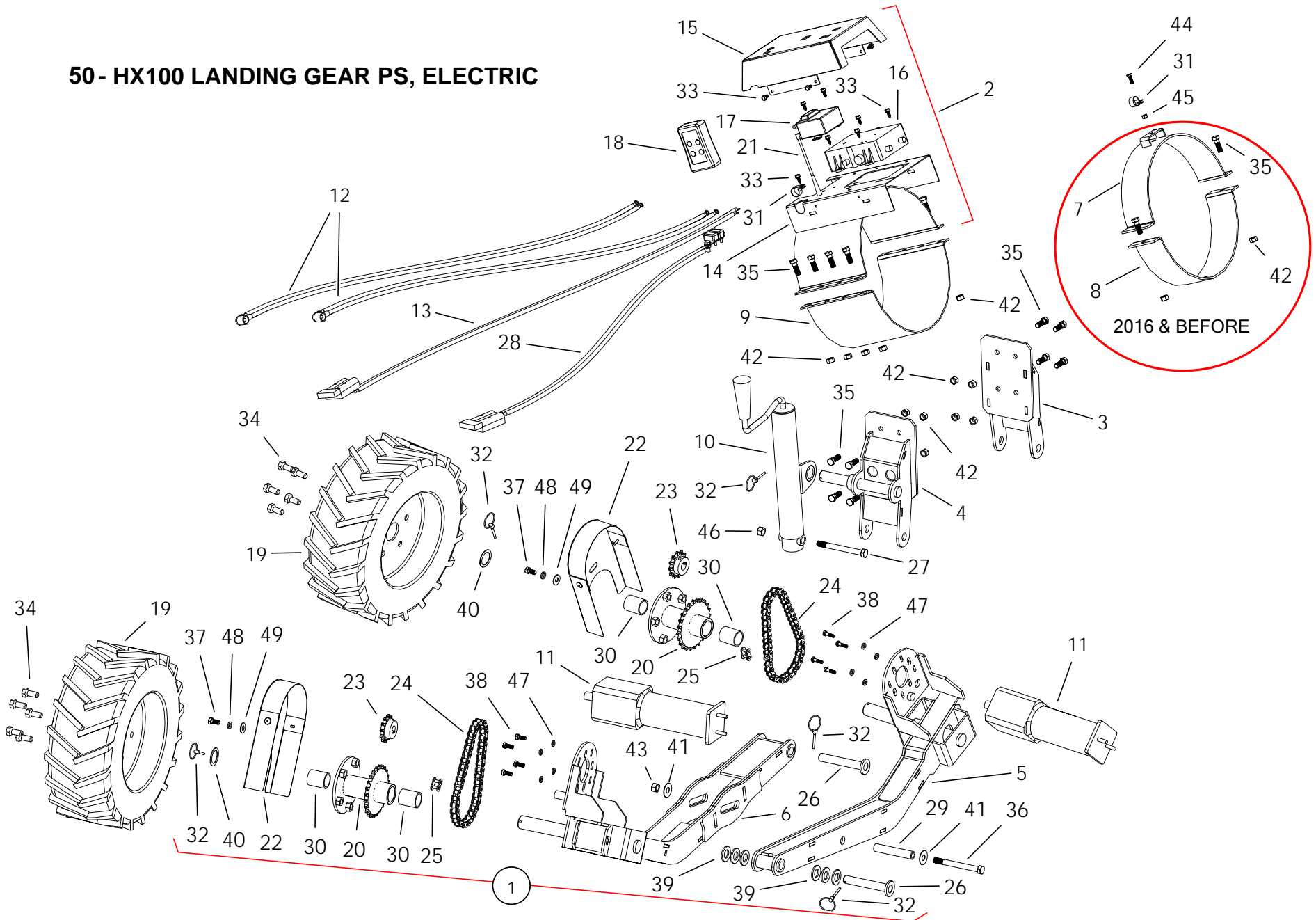
HX100 RIGHT ANGLE DRIVE [A293]

ITEM	PART NO.	DESCRIPTION
1	10-29137	RAD LEG
2	10-21798	RAD GEARBOX ASSEMBLY
3	10-21799	RAD GEARBOX MOUNT
4	10-17597	ADJUST PLATE, RAD
5	10-19600	5/8" NYLON LOCKNUT
6	10-19585	GEARBOX
7	10-19231	1/2" X 1" NC BOLT GR 5 PLTD
8	10-19605	LOCKWASHER, 1/2" PLTD
9	10-17637	FLEX COUPLER
10	10-29315	RAD JACK MOUNT
11	10-17610	WHITE END PTO SHAFT (60")
12	10-19804	SD SADDLE BRACKET
13	10-19801	U-CLAMP HANGER-10"X2-1/2"-BLACK
14	10-17232	PTO SHIELD ASSEMBLY
15	10-17598	RAD ATTACH PLATE
16	10-19648	SADDLE PIN
17	10-19463	210 HITCH PIN
18	10-19982	7/16" X 4" NC BOLT GR 5 PLTD
19	10-19598	LOCKNUT, 7/16"
20	10-29316	7/16" X 4-1/2" NC BOLT GR 5 PLTD
21	10-19606	1/4" SQUARE X 1.5" KEY
22	10-19542	7/16" X 1" NC BOLT GR 5 PLTD
23	10-19540	3/8" X 3/4" BOLT GR5
24	10-19596	3/8" SERRATED FLANGE NUT
25	10-19538	5/16" X 3/4" BOLT GR2
26	10-19595	5/16" FLANGENUT
27	10-18878	4-3/4" STRAP 11843
28	10-17229	RUBBER BELT
29	10-17635	3/8" X 2-3/4" NC BOLT GR 8 PLTD
30	10-17402	3/8" NC NYLON LOCKNUT PLTD
31	10-19864	5/8" NC HEX NUT PLTD

HX100 REVERSING KIT [A292]

ITEM	PART NO.	DESCRIPTION
1	10-21786	REVERSER BRACKET ASSEMBLY
2	10-19322	2 HOLE BEARING ASSEMBLY
3	10-17054	REVERSER COUPLER
4	10-17067	60B14 X 1-1/4 SPROCKET
5	10-19224	1/4" x 1" WOODRUFF KEY
6	10-21785	MKX/X10 REVERSER BRACKET
7	10-27986	3/8" X 1" NC CARRIAGE BOLT GR 5 PLTD
8	10-19596	3/8" SERRATED FLANGE NUT
9	10-17051	REV LOWER COUPLER
10	10-20705	VALVE BRACKET
11	10-17055	REV HITCH EXTENSION
12	10-18176	SPLINED SHAFT
13	10-21784	REVERSER SHIELD
14	10-21989	MKX/X10 REVERSER SHIELD BRACKET
15	10-21758	1/4" X 3-3/8" SQUARE KEY
16	10-18079	ROLL PIN, 5/16" X 2"
17	10-19231	1/2" X 1" NC BOLT GR 5 PLTD
18	10-19599	1/2" NC NYLON LOCKNUT GR 2 PLTD
19	10-19606	1/4" SQUARE X 1.5" KEY
20	10-19592	3/4" x 2" BOLT GR8
21	10-19601	3/4" NC NYLON LOCKNUT PLTD
22	10-18545	5/8" X 4-1/2" NC BOLT GR 8 PLTD
23	10-19600	5/8" NYLON LOCKNUT
24	10-29526	#60 OFFSET LINK
25	10-19538	5/16" X 3/4" BOLT GR2
26	10-19980	5/16" NC NYLON LOCKNUT PLTD
27	10-19589	1/2" X 1-1/2" BOLT GR8
28	10-17750	1/2" NC NYLON LOCKNUT GR 5 YLW PLTD
29	10-19979	3/4" FLAT WASHER PLTD

50 - HX100 LANDING GEAR PS, ELECTRIC

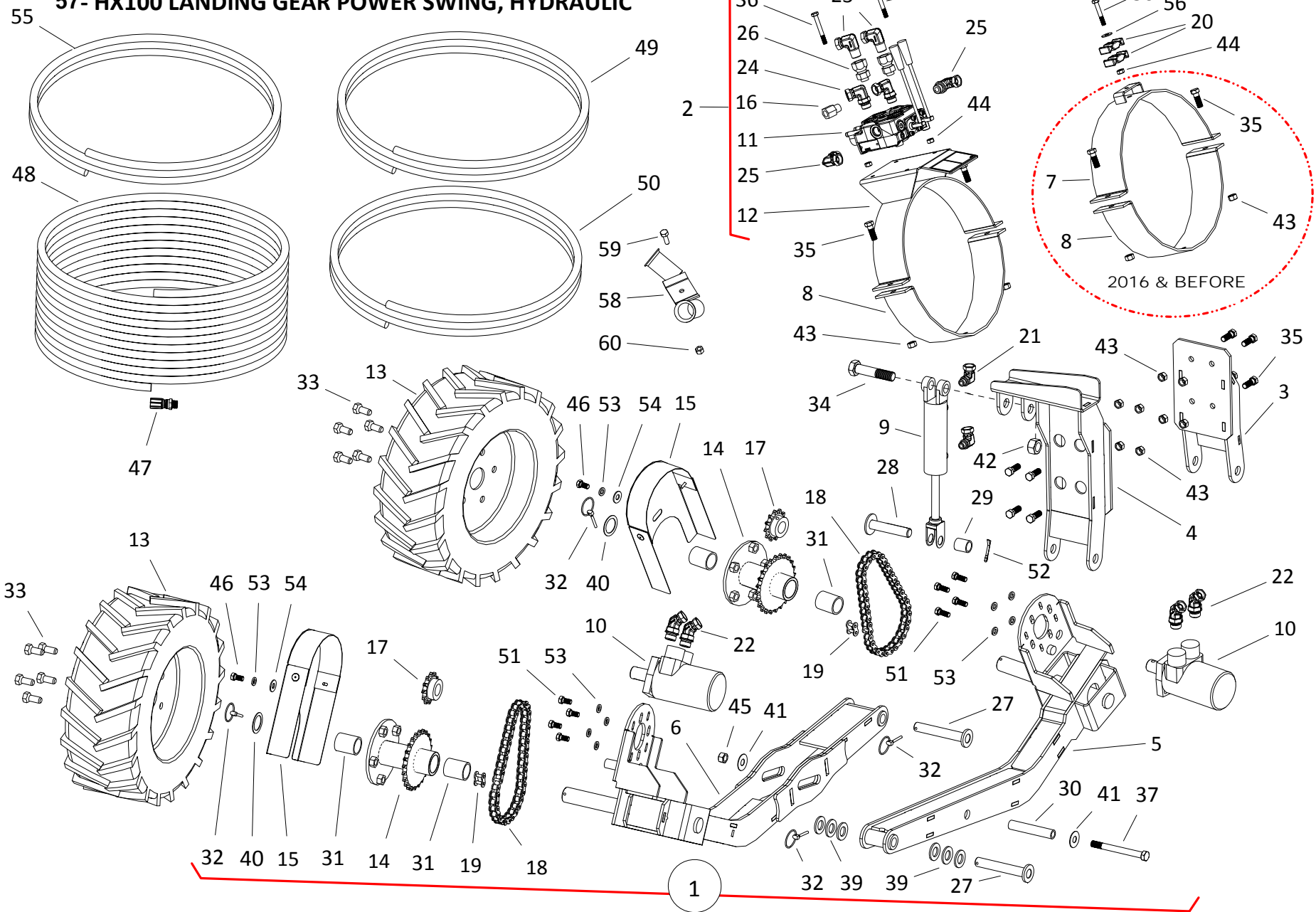


A363WH ELECTRIC LANDING GEAR POWER SWING-10"

A363WH ELECTRIC LANDING GEAR POWER SWING-10"

ITEM	PART NO.	DESCRIPTION
1	10-22563	LANDING GEAR PS ELEC ASSEMBLY
2	10-20289	ASSY, 10" P/S TOP CLAMP RECEIVER
3	10-22554	ATTACH, RH, LGPS
4	10-22553	MANUAL JACK ATTACH, LGPS
5	10-22562	SHORT X-ARM, RH, LGPS
6	10-22564	SHORT X-ARM, LH, LGPS
7	10-22740	X100 HOSE ATTACH
8	10-19801	U-CLAMP HANGER-10"X2-1/2"-BLACK
9	10-27235	10" HITCH RING
10	10-22555	JACK, MANUAL, LANDING GEAR PS
11	10-20138	MOTOR, 12V DC
12	10-20168	WIRE HARNESS - CONTACTOR TO MOTOR
13	10-22582	WIRE ASSY CONTACTOR/QUICK CONNECT
14	10-20154	10" TOP CLAMP W.A. RC - POWERSWING
15	10-20178	COVER, PS RECEIVER ARMOR - POWERSWING
16	10-20135	RECEIVER
17	10-20136	CONTACTOR
18	10-20134	TRANSMITTER
19	10-20137	POWERSWING 5 BOLT WHEEL ASSEMBLY
20	10-20166	ASSY HUB, W/ BUSHING
21	10-20524	ANTENNA
22	10-22164	CHAIN GUARD, LANDING GEAR
23	10-20210	50B12 X 3/4 SPROCKET
24	10-19133	#50-1R X 37P ROLLER CHAIN
25	10-19134	#50 CONNECTOR LINK
26	10-22168	PIN, LANDING GEAR
27	10-27815	BOLT, 5/8" X 4" NC PLTD
28	10-20169	WIRE ASSY BATTERY TO QUICK CONNECT
29	10-22187	SLIDER BUSHING, LANDING GEAR
30	10-19776	BUSHING, 1-1/4"
31	10-20268	5/8 X 1/2 INSULATED CLAMP
32	10-29998	LYNCH PIN 3/16 X 1-1/4 Y.ZINC PLTD
33	10-19274	#14 X 5/8" SMS AB GR 5 PLTD
34	10-20565	1/2" X 1" WHEEL BOLT (BLACK)
35	10-18698	BOLT, 7/16" X 1-1/4"
36	9900564	1/2" X 5" UNC BOLT GR5 PLTD
37	10-19540	3/8" X 3/4" BOLT GR5
38	10-19988	1/4" X 1" NC BOLT GR2 PLTD
39	10-19979	3/4" FLAT WASHER PLTD
40	10-17651	1-1/4" RIM WASHER
41	10-17401	1/2" FLAT WASHER PLTD
42	10-17593	7/16" NC NYLON LOCKNUT GR5 YLW PLTD
43	10-19599	1/2" NC NYLON LOCKNUT GR 2 PLTD
44	9900800	1/4" X 3/4" NC BOLT GR5 PLTD
45	10-28449	1/4" NC NYLON LOCKNUT PLTD
46	10-19600	5/8" NYLON LOCKNUT
47	9900783	1/4" LOCK WASHER
48	10-19604	3/8" LOCK WASHER
49	10-17392	3/8" FLAT WASHER
50	05-A363WH	X100 LANDING GEAR PS, ELECTRIC

57- HX100 LANDING GEAR POWER SWING, HYDRAULIC



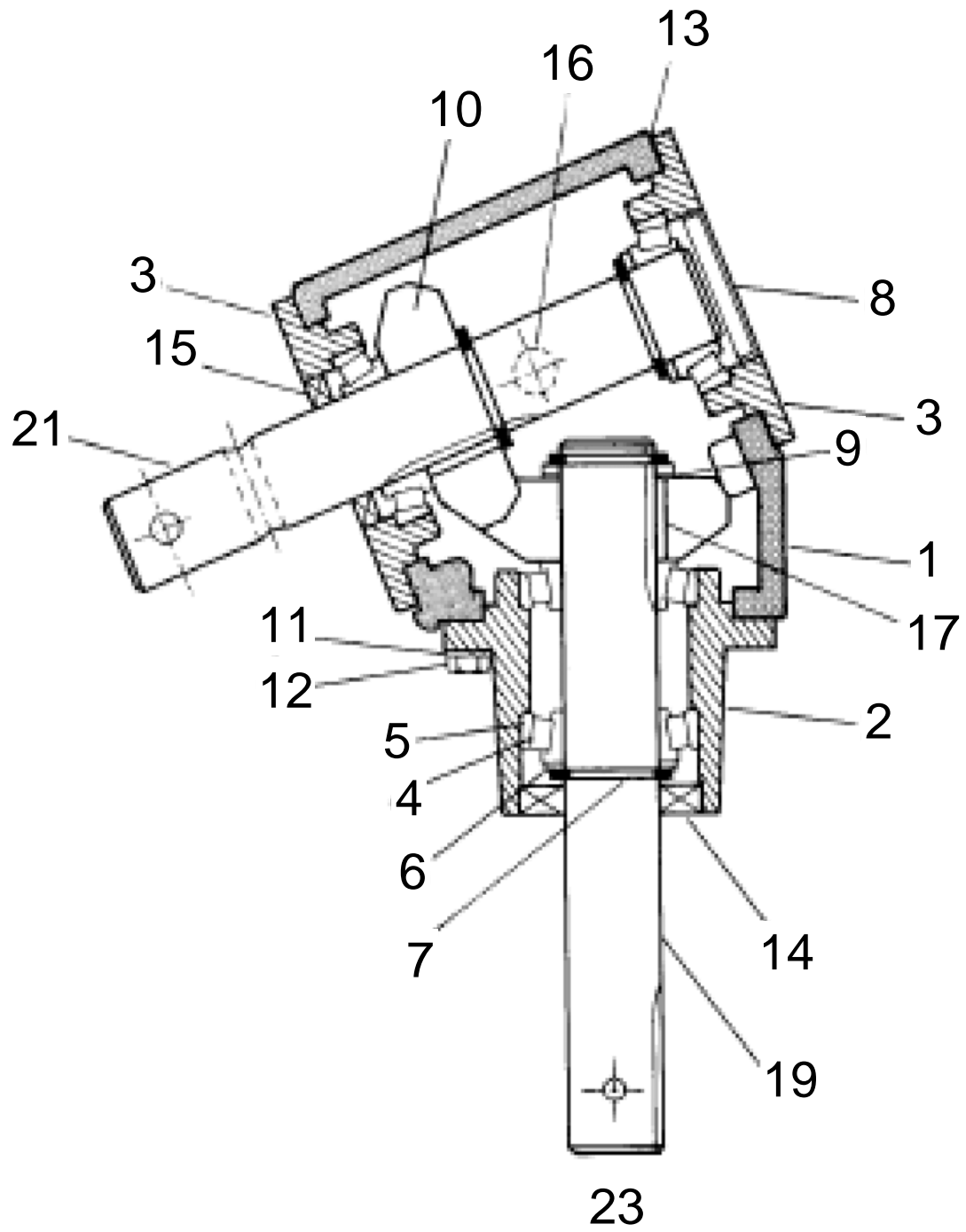
A362WH HYDRAULIC LANDING GEAR POWER SWING-10"

ITEM	PART NO.	DESCRIPTION
1	10-22560	LANDING GEAR PS HYD ASSEMBLY
2	10-23082	2-SPOOL VALVE ASSY, LANDING GEAR PS, 10"
3	10-22554	ATTACH, RH, LGPS
4	10-22559	HYD CYLINDER ATTACH, LGPS
5	10-22562	SHORT X-ARM, RH, LGPS
6	10-22564	SHORT X-ARM, LH, LGPS
7	10-22740	X100 HOSE ATTACH
8	10-19801	U-CLAMP HANGER-10"X2-1/2"-BLACK
9	10-22161	1-1/2 X 8 HYDRAULIC CYLINDER
10	10-20246	PS HYD MOTOR, 17.9 CU IN
11	10-22548	2 SPOOL VALVE, 8 GPM
12	10-23081	2-SPOOL VALVE MOUNT, LGPS
13	10-20137	POWERSWING 5 BOLT WHEEL ASSEMBLY
14	10-20166	ASSY HUB, W/ BUSHING
15	10-22164	CHAIN GUARD, LANDING GEAR
16	10-22746	ORIFICE, 3/8" MALE X 3/8" FEMALE
17	10-20211	50B12 X 1 SPROCKET
18	10-19133	#50-1R X 37P ROLLER CHAIN
19	10-19134	#50 CONNECTOR LINK
20	10-28732	LINE BLOCK
21	10-22191	STEEL ELBOW 6MORB X 3/8 NSPM
22	10-22556	ADAPTER, 45 DEG, #10MORB X #6FNPSM
23	10-22557	STEEL ELBOW, 8MNPT X 6FNPSM
24	10-22558	STEEL ELBOW, 8MORB X 6FNPSM
25	10-28654	STEEL ELBOW 90DEG, 8MORB X 8FNPSM
26	10-28477	STEEL FITTING, 8MORB X 1/2FNPSM
27	10-22168	PIN, LANDING GEAR
28	10-22577	PIN, LGPS CYLINDER ATTACH
29	10-22578	SPACER SLEEVE, LGPS CYL ATTACH
30	10-22187	SLIDER BUSHING, LANDING GEAR
31	10-19776	BUSHING, 1-1/4"
32	10-29998	LYNCH PIN 3/16 X 1-1/4 Y.ZINC PLTD
33	10-20565	1/2" X 1" WHEEL BOLT (BLACK)
34	10-20398	3/4" X 3-1/2" NC BOLT GR 5 PLTD
35	10-18698	BOLT, 7/16" X 1-1/4"
36	10-17631	5/16" X 2-1/2" NC BOLT GR 2 PLTD
37	9900564	1/2" X 5" UNC BOLT GR5 PLTD
39	10-19979	3/4" FLAT WASHER PLTD
40	10-17651	1-1/4" RIM WASHER
41	10-17401	1/2" FLAT WASHER PLTD
42	10-19601	3/4" NC NYLON LOCKNUT PLTD
43	10-17593	7/16" NC NYLON LOCKNUT GR5 YLW PLTD
44	10-19980	5/16" NC NYLON LOCKNUT PLTD
45	10-19599	1/2" NC NYLON LOCKNUT GR 2 PLTD
46	10-19540	3/8" X 3/4" BOLT GR5
47	9900047	PIONEER COUPLER
48	10-29368	1/2" X 247" HYDRAULIC HOSE
49	10-29414	3/8" X 46" HYDRAULIC HOSE
50	10-28229	3/8" X 50" HYDRAULIC HOSE
51	10-18955	3/8" X 1" NC BOLT GR 5 PLTD

A362WH HYDRAULIC LANDING GEAR POWER SWING-10"

ITEM	PART NO.	DESCRIPTION
52	10-18155	COTTER PIN, 3/16" x 1-1/4"
53	10-19604	3/8" LOCK WASHER
54	10-17392	3/8" FLAT WASHER
55	10-22744	3/8" X 80" HYDRAULIC HOSE
56	10-27336	FLAT WASHER, 5/16"
57	05-A362WH	X100 LANDING GEAR PS, HYD
58	10-17467	DOUBLE HOSE HOLDER
59	10-29246	3/8" X 1" BOLT GR8 SHEAR
60	10-17402	3/8" NC NYLON LOCKNUT PLTD

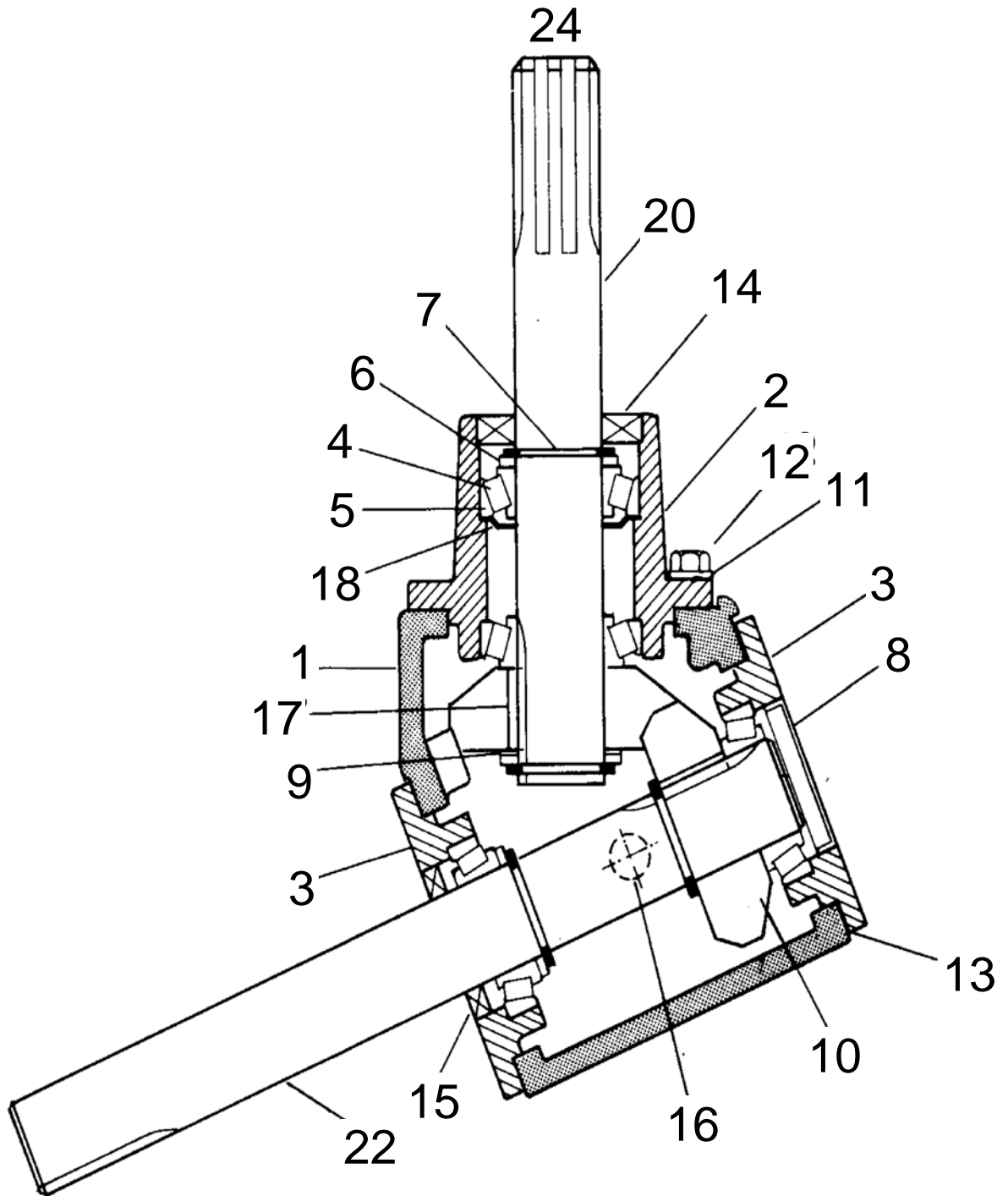
HX100 UPPER GEARBOX



HX100 UPPER GEARBOX

ITEM	PART NO.	DESCRIPTION
1	10-18959	Housing
2	10-18960	Quill
3	10-18961	End cap
4	10-19265	CONE BEARING
5	10-19266	Bearing cup Timken # LM 67010
6	10-18426	Spacer
7	10-18962	Snap ring
8	10-18963	Expansion plug
9	10-18411	.007Shim(1.25" I.D.)
10	10-18964	Gear
11	10-19603	LOCKWASHER, 5/16" PLTD
12	10-19538	5/16" X 3/4" BOLT GR2
13	10-18390	.005 Shim
14	10-18427	Seal, National # 471808, CR# 12614
15	10-18403	Seal, National # 470163, CR# 12458
16	10-18393	1/4 NPT Pipe plug
17	10-18380	Square Key
19	10-18967	Pinion shaft, upper gearbox only
21	10-18972	Cross shaft, upper gearbox only
23	10-18849	Upper gearbox, complete

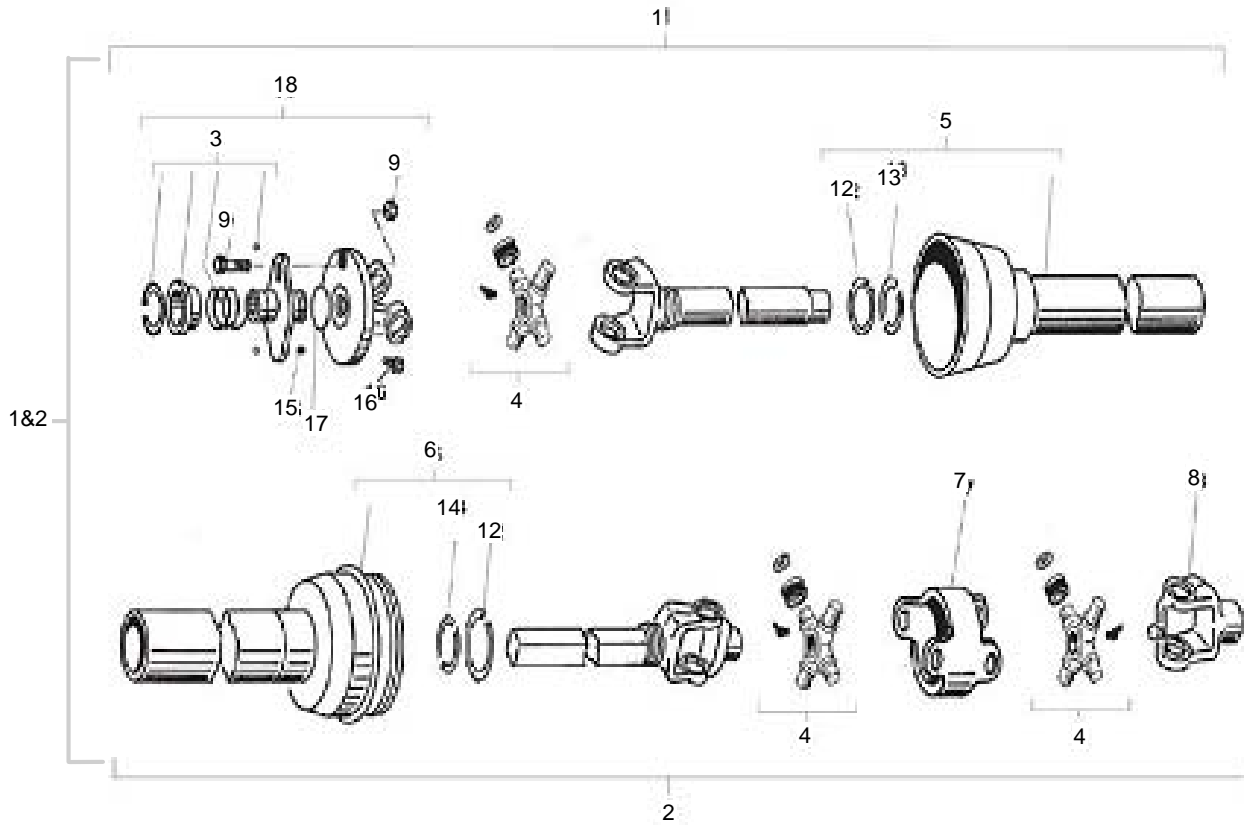
HX100 LOWER GEARBOX



HX100 LOWER GEARBOX

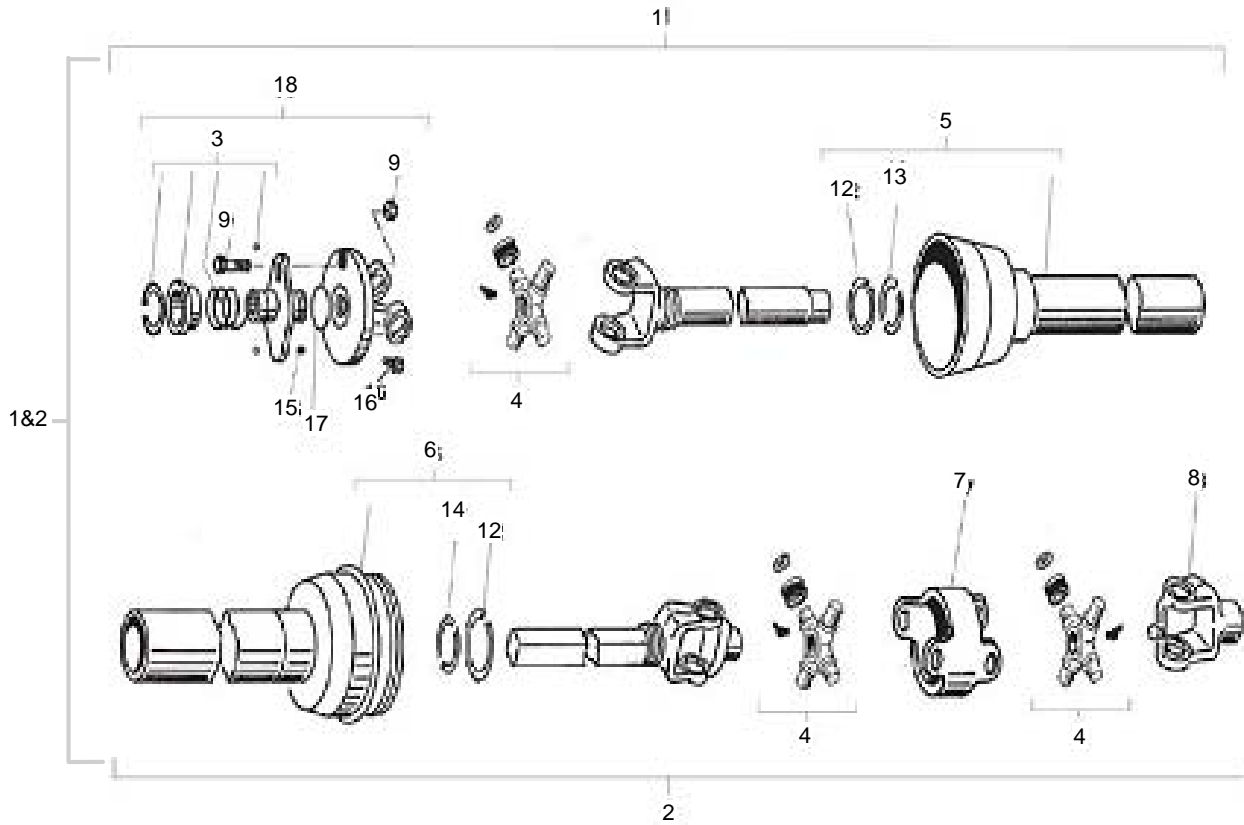
ITEM	PART NO.	DESCRIPTION
1	10-18959	Housing
2	10-18960	Quill
3	10-18961	End cap
4	10-19265	CONE BEARING
5	10-19266	Bearing cup Timken # LM 67010
6	10-18426	Spacer
7	10-18962	Snap ring
8	10-18963	Expansion plug
9	10-18411	.007Shim(1.25" I.D.)
10	10-18964	Gear
11	10-19603	LOCKWASHER, 5/16" PLTD
12	10-19538	5/16" X 3/4" BOLT GR2
13	10-18390	.005 Shim
14	10-18427	Seal, National # 471808, CR# 12614
15	10-18403	Seal, National # 470163, CR# 12458
16	10-18393	1/4 NPT Pipe plug
17	10-18380	Square Key
18	10-18965	Grease washer, lower gearbox only
20	10-18970	Pinion shaft, lower gearbox only
22	10-21938	Cross shaft, lower gearbox only
24	10-21549	Lower Gear Box, complete

HX100-63, 73 CONSTANT VELOCITY PTO SHAFT (WEASLER)

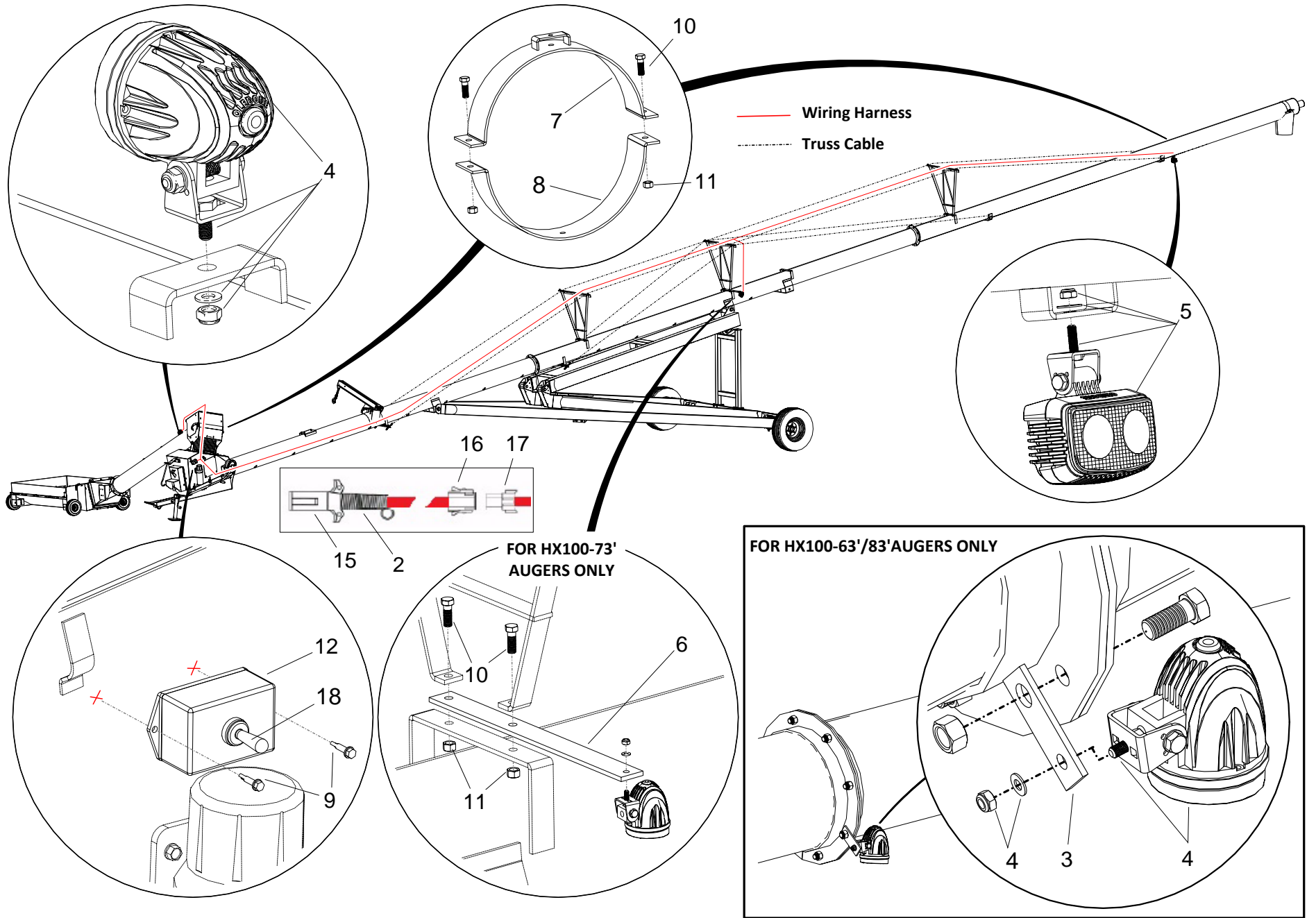


ITEM	PART NO.	DESCRIPTION
1&2	10-18484	Complete PTO shaft
1	10-18456	1/2 PTO shaft, tractor end
2	10-18457	1/2 PTO shaft, implement end
3	10-18458	Spring lock repair kit
4	10-18459	Universal joint repair kit
5	10-18460	Plastic shield c/w reference no. 12 & 13, tractor end
6	10-18461	Plastic shield c/w reference no. 12 & 14, implement end
7	10-18462	CV centre housing
8	10-18463	End yoke
9	10-17126	Bolt and locknut, 5/16 - 18 x 1", grade 8
12	10-18467	RETAINER RING
13	10-18468	NYLON BEARING
14	10-18468	NYLON BEARING
15	10-18470	BALL BEARING KIT
16	10-19995	BOLT, 3/8" - 16 X 1/2", GR5
17	10-18485	Blank disc
18	10-18363	Shear assembly

HX100-83 CONSTANT VELOCITY PTO SHAFT (WEASLER)



ITEM	PART NO.	DESCRIPTION
1&2	10-27481	Complete PTO shaft
1	10-27592	1/2 PTO shaft, tractor end
2	10-27593	1/2 PTO shaft, implement end
3	10-18270	SPRING LOCK REPAIR KIT
4	10-18271	Universal joint repair kit
5	10-27596	Plastic shield c/w reference no. 12 & 13, tractor end
6	10-27595	Plastic shield c/w reference no. 12 & 14, implement end
7	10-18274	CV CENTER HOUSING
8	10-27594	End yoke
9	10-17126	Bolt and locknut, 5/16 - 18 x 1", grade 8
12	10-18467	RETAINER RING
13	10-18468	NYLON BEARING
14	10-18441	NYLON BEARING
15	10-18470	BALL BEARING KIT
16	10-19995	BOLT, 3/8" - 16 X 1/2", GR5
17	10-18485	Blank disc
18	10-27597	Shear assembly



HX100 WORK LIGHT KIT

ITEM	PART NO.	DESCRIPTION
1	10-22695	WORK LIGHT HARNESS, 63
1	10-22696	WORK LIGHT HARNESS, 74
1	10-22697	WORK LIGHT HARNESS, 84
2	10-22687	TRACTOR PLUG EXTENSION HARNESS
3	10-22286	TRANSPORT CHAIN LUG
4	10-22394	MINI FLOOD LAMP, LEDWD-1L10 (INCLUDES HARDWARE)
5	10-22395	FLOOD LAMP, LEDWD-2L20 (INCLUDES HARDWARE)
6	10-22712	LIGHT BRACKET, 1073
7	10-22740	X100 HOSE ATTACH
8	10-19801	U-CLAMP HANGER-10"X2-1/2"-BLACK
9	10-22396	8-18 X 3/4" TEK SCREW
10	10-18698	BOLT, 7/16" X 1-1/4"
11	10-19598	LOCKNUT, 7/16"
12	10-22399	SWITCH BOX ONLY
13	10-22427	LEAD CONNECTOR, DEUTSCH DT06-2S
14	10-22446	BUSS AGC 20A FUSE
15	10-28665	7 PIN HIGHWAY TRACTOR CONNECTOR
16	10-23124	8 WAY PLUG, AT06-08SA
17	10-23125	8 WAY RECEPTACLE, AT04-08PA
18	10-24355	WEATHERPROOF TOGGLE SWITCH
19	10-23126	WEATHER PACK TOWER, 6 POS
20	10-23127	WEATHER PACK SHROUD, 6 POS
21	10-23128	DEUTSCH 2 WAY CAP, 1011-344-0205
22	05-A348	X1063 WORK LIGHT KIT
22	05-A350	X1073 WORK LIGHT KIT
22	05-A352	X1083 WORK LIGHT KIT



514 W. Crawford Street
Clay Center, Kansas, 67432 USA
Phone: (800) 523-6993 or (785) 632-2161
Fax: (785) 632-5964
Website: www.hutchinson-mayrath.com
Email: sales@hutchinson-mayrath.com

©Ag Growth International Inc. 2019
Printed in Canada