



HCX² SERIES

PARTS MANUAL

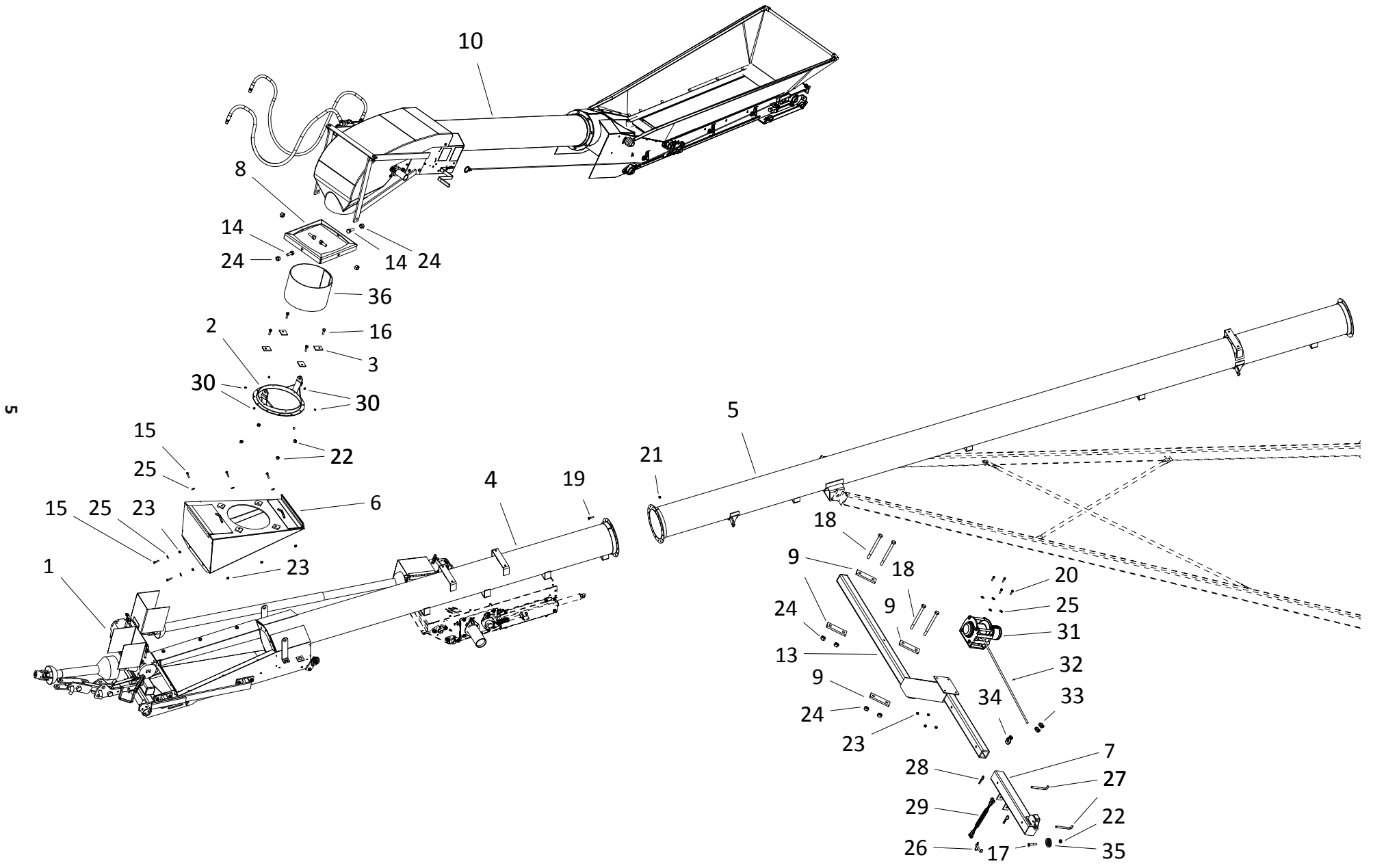
1590 SA, 1539 FL TD, 1549 FL TD, 1515 LP, 1535 TD, 1590 SD
1800 PS, 2400 PS.

TABLE OF CONTENTS

DESCRIPTION	PAGE
HCX ² 1590 SA (15584011HM)	5
HCX ² 1590 SA TRANSFER ASM HYD (15584212HM)	7
HCX ² 1590 SA HOPPER (1555692XHM)	9
FX1500 SA HYD DRIVE KIT (15000286)	11
FRONT DRIVE PTO KIT 15 SERIES (15592230)	13
HYDRAULIC POWER SWING (15584435WC)	15
ELECTRIC REMOTE POWER SWING (15584440WC)	17
HCX ² 1539 FLTD (15503931HM)	19
HOPPER (15555547HM)	23
SPOUT PINCH ROLLER KIT (15597003HM)	25
HYDRAULIC DRIVE KIT (15000285)	27
ELECTRIC DRIVE KIT (15000277)	29
HCX ² 1549 FLTD (15504931HM)	31
HOPPER (15555547HM)	35
SPOUT PINCH ROLLER KIT (15597003HM)	37
HYDRAULIC DRIVE KIT (15000285)	39
ELECTRIC DRIVE KIT (15000277)	41
HCX ² 1515 LOW PROFILE (15001536HM)	43
HOPPER (15000323HM)	45
HYDRAULIC DRIVE KIT FOR 1515LP (15000281)	47
ELECTRIC DRIVE KIT FOR 1515LP (15000273)	49
GAS DRIVE KIT FOR 1515LP (15000895)	51
HCX 1535 TD (15503504HM)	53
HOPPER (1555588XHM)	57
HYDRAULIC DRIVE KIT (15000285)	59
ELECTRIC DRIVE KIT (15000277)	61
HCX 1590 SD (15509011HM)	63
HOPPER (1555588XHM)	67
S-DRIVE (15590020HM)	69
SIDE P.T.O. DRIVE KIT (15592200)	71
ELECTRIC DRIVE KIT (15593020)	73
FRONT DRIVE PTO KIT 15 SERIES (15592230)	75
HCX 1800 PITSTOP (25001068HM)	77
HYDRAULIC DRIVE KIT (25001003)	81
18" PS ELECTRIC DRIVE KIT (25001001)	83
18" PS HYDRAULIC WET KIT (25001004)	85

TABLE OF CONTENTS

DESCRIPTION	PAGE
HCX 2400 PITSTOP (25001070HM)	87
HYDRAULIC DRIVE KIT (250010031)	91
ELECTRIC DRIVE KIT (250010011)	93



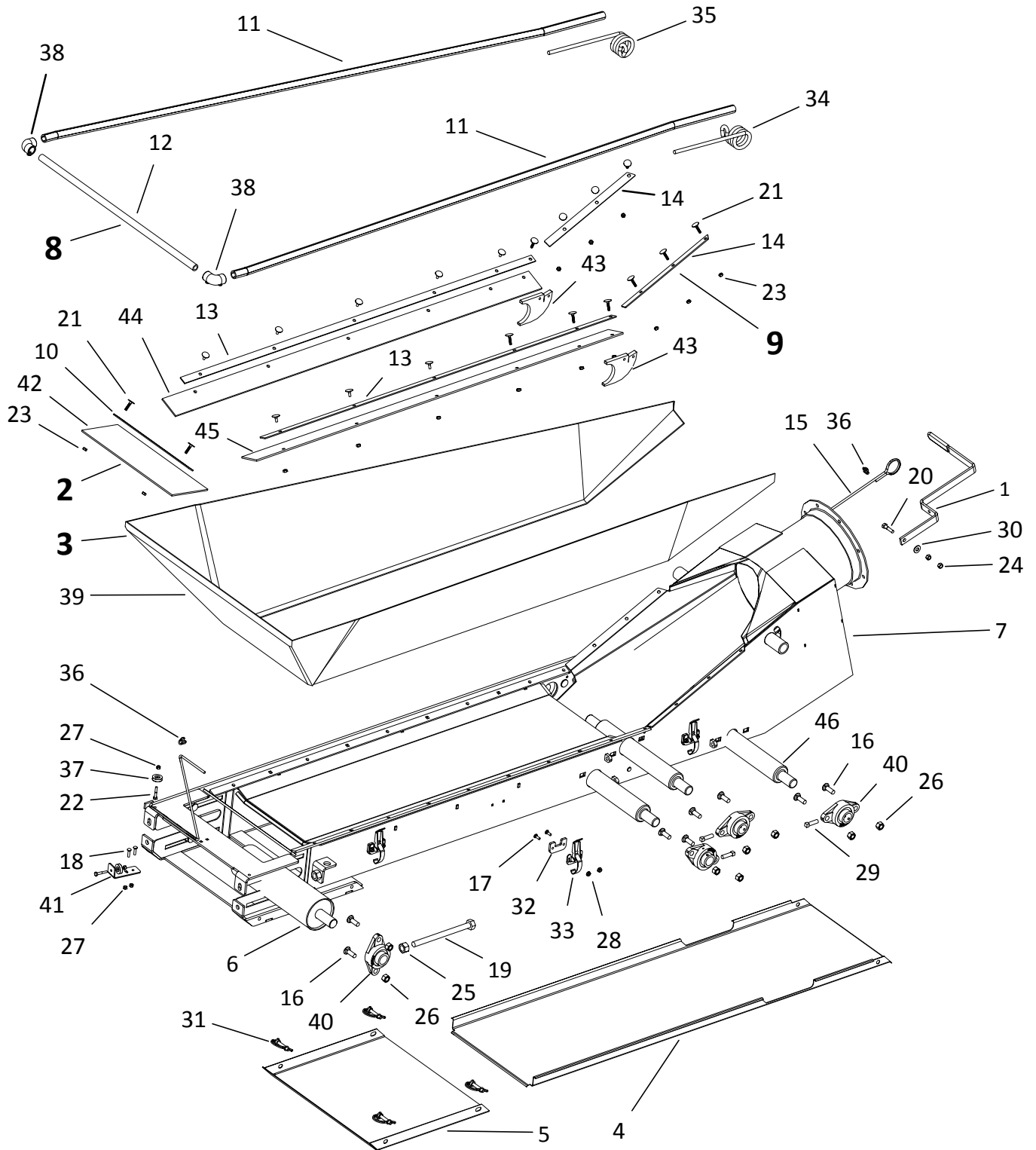
HCX² 1590 SA (15584011HM)

ITEM	PART NO.	DESCRIPTION
1	15592230	FRONT DRIVE PTO KIT 15 SERIES
2	13090026WC	SWIVEL BASE- WESTFIELD
3	13092018WC	MOUNTING TAB- WESTFIELD
4	15020148HM	BT HOPPER SECTION 18" HUTCH
5	15020051HM	BOTTOM TUBE WITH ANCHORS - HM
6	15090009HM	SWING HOPPER BASE- HUTCH
7	15090017WC	TRANSPORT ADJUSTMENT ARM - WF
8	15090027WC	SWING SWIVEL TOP- WESTFIELD
9	15092039WC	TRANSPORT ARM MOUNT PLATE - WF
10	15584212HM	HCX2 SWING AWAY -TRANS ASM HYD
13	24090023WC	15/20/24 TRANSPORT ARM OFFSET - WF
14	P0115111	BOLT 3/4" X 2" GR8 PLATED(10-19592)
15	P0115113	BOLT 3/8" X 1-1/2" GR8 PLATED
16	P0118013	BOLT 1/2" X 1-1/2" GR8 PLATED
17	P0118018	BOLT 1/2" X 3" GR8 PLATED
18	P0118048	BOLT 3/4" X 9" GR8 PLATED
19	P0118076	BOLT 7/16" X 1" GR8 PLATED
20	P0118132	BOLT 3/8" X 1-1/4" GR8 PLATED
21	P0134007	LOCKNUT-NYLON-7/16" GRADE 8
22	P0134008	LOCKNUT-NYLON-1/2" GRADE 8
23	P0134026	LOCKNUT-NYLON-3/8" GR 8 (10-17402)
24	P0134029	LOCKNUT-NYLON-3/4" GRADE 8
25	P0151009	FLAT WASHER 3/8 USS PLATED
26	P0162001	HITCH PIN 1/2" X 3" PLATED
27	P0162004	HITCH PIN 1/2" X 5" PLATED
28	P0163001	HAIRPIN 3/16 X 3 1/4
29	P0182101	TURNBUCKLE 5/8" X 6"STUB
30	P0186001	RIVET-STEEL BODY 3/16" X 1/2"
31	P0217634B	HYDRAULIC WINCH KIT
32	P0711118	CABLE-5/16" (26')
33	P0712105	CABLE CLAMP-5/16" GALV.
34	P0712301	GRAB HOOK-1/4"
35	P2210713	CABLE SHEAVE 2-3/4"OD
36	P11139010	SWING BELT SHIELD

HCX² 1590 SA TRANSFER ASM HYD (15584212HM)

ITEM	PART NO.	DESCRIPTION
1	1555692XHM	HCX2 HOPPER -COLLAPSABLE TR
2	13041038	SHAFT GUARD(FL-206)
3	15000286	FX1500 SA HYD DRIVE KIT
4	15070013	SPOUT DRIVE ROLLER-1-1/4" LAGGED
5	15090007WC	TRANSFER SUPPORT BRACE-RH - WF
6	15090008WC	TRANSFER SUPPORT BRACE-LH - WF
7	15090012WC	SWING SPOUT 7'- WESTFIELD
8	15092044WC	SUPPORT BRACE SPACER- WESTFIELD
9	P0113001	CARRIAGE BOLT 1/2"X2" PLATED
10	P0118013	BOLT 1/2" X 1-1/2" GR8 PLATED
11	P0118076	BOLT 7/16" X 1" GR8 PLATED
12	P0134007	LOCKNUT-NYLON-7/16" GRADE 8
13	P0134008	LOCKNUT-NYLON-1/2" GRADE 8
14	P0141002	TEK SCREW 1/4" X 1"
15	P0145002	SQ HD SETSCREW 7/16" X 2 1/2
16	P0151006	FLAT WASHER 1/4"PLATED USS
17	P1021006	ROLLER HEX 15-7/8"
18	P1210032	FL-206 SHAFT GUARD PLUG
19	P1211501	HOOD-ROUND 15 SERIES
20	P1711002	FLANGE UNIT-1-1/4"-SAFL206-20
21	P0832017	HOSE 3/8(15')-1/2"MPT-1/2"MPT PC
22	P0832031	HOSE 1/2(15')-1/2MPT-1/2MPT PC
23	P0820401	PIONEER TIP

HCX² 1590 SA HOPPER (1555692XHM)



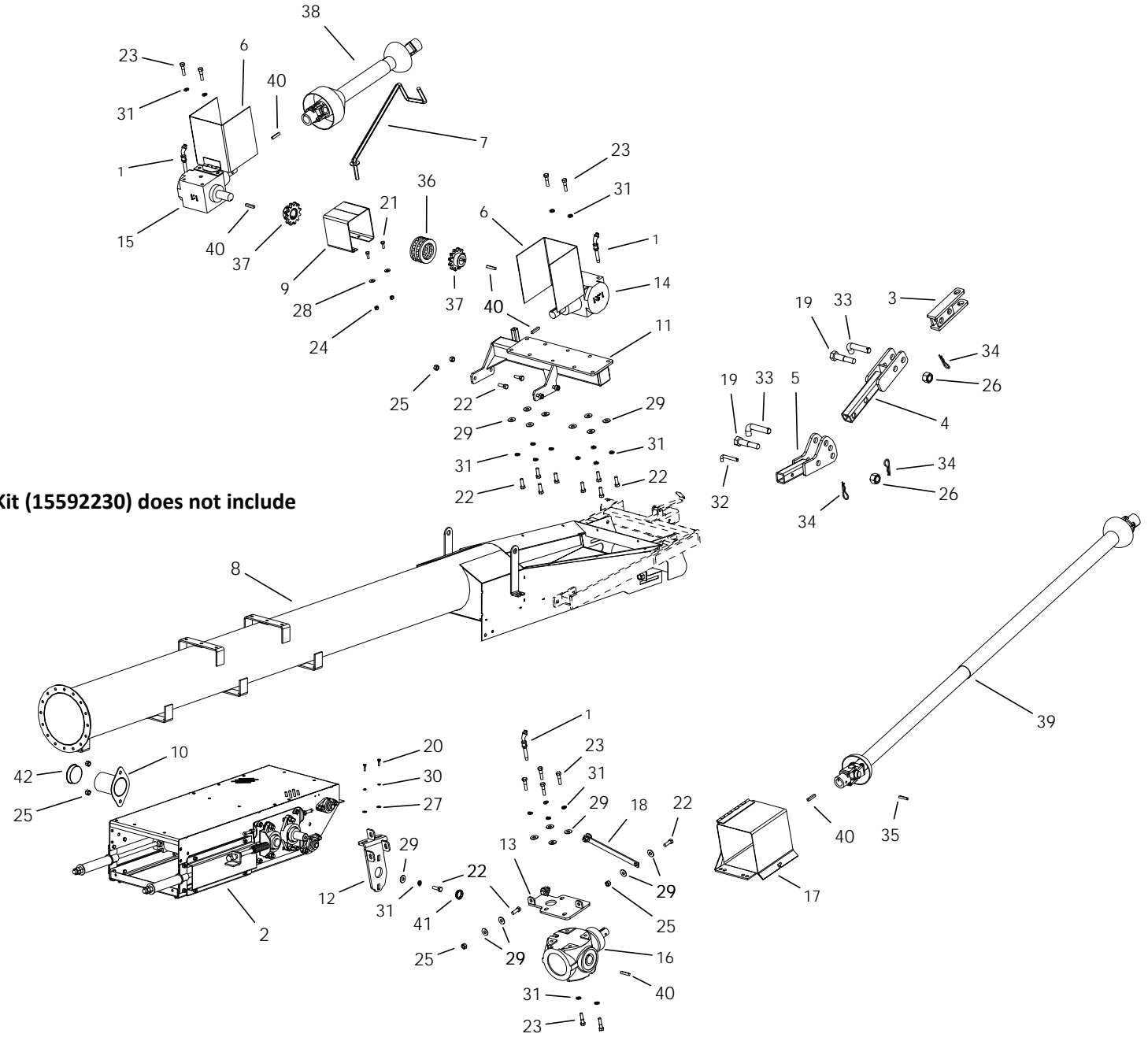
HCX² 1590 SA HOPPER (1555692XHM)

ITEM	PART NO.	DESCRIPTION
1	13100029	EXTENDED HOPPER HANDLE
2	1555597X	CX2-HOPPER -FLASHING ONLY FL
3	1555692XHM	HCX2 HOPPER -COLLAPSABLE TR
4	15042303	BCX2 FL UNDERSIDE COVER MAIN
5	15042304	BCX2 FL UNDERSIDE COVER FRONT
6	15070012	TAKE-UP ROLLER-1-1/4" LAGGED
7	15100016WC	WCX2 TRANSFER HOPPER
8	15100126	CX2 HOPPER CLOTH FRAME-UPPER KIT
9	15100127	CX2 HOPPER CLOTH FRAME-LOWER KIT
10	15102058	LOWER CLOTH FRAME TR FRONT
11	15102068	FX2 UPPER CLOTH FRAME SIDES
12	15102069	FX2 UPPER CLOTH FRAME FRONT
13	15102189	15FL LOWER CLOTH FRAME SIDE
14	15102199	CX2 LOWER CLOTH FRAME TRANS
15	15103230	CABLE 1/8" 7X19 GAC (13.25')
16	P0113004	CARRIAGE BOLT 1/2X1 1/2
17	P0113022	CARRIAGE BOLT 1/4" X 3/4"
18	P0113025	BOLT CARRIAGE 1/4"X1" PLATED F/T
19	P0114010	TAP BOLT 3/4 X 9 UNC GR.5 PLATED
20	P0115113	BOLT 3/8" X 1-1/2" GR8 PLATED
21	P0116001	ELEVATOR BOLT 1/4" X 1-1/4" PLATED
22	P0118026	BOLT 1/4" X 1-1/2" GR8 PLATED
23	P0131016	NUT 1/4" PLATED GRADE 8
24	P0131018	NUT 3/8" PLATED GRADE 8 (10-17754)
25	P0131019	NUT 3/4" PLATED GRADE 8 (10-19997)
26	P0134008	LOCKNUT-NYLON-1/2" GRADE 8
27	P0134023	LOCKNUT-NYLON-1/4" GR8
28	P0134104	LOCKNUT-TENSILOCK-1/4"GR5(10-19594)
29	P0145004	SET SCREW-7/16"X1-1/2"SQ.HD.PLATED
30	P0151009	FLAT WASHER 3/8 USS PLATED
31	P0163015	PIN 3/8" X 1-3/8" LOCKING
32	P0184040	SPACER, TENSION CLAMP
33	P0184041	CLAMP TENSION, LATCH071
34	P0521005	HOPPER SPRING-L-.437
35	P0521006	HOPPER SPRING-R-.437
36	P0712104	CABLE CLAMP-1/8" GALV.
37	P0713104	CABLE SHEAVE-1-1/4" W/BEARING
38	P0871013	ELBOW-RAIL FTNG FOR 1/2" SCH PIPE
39	P1621045	HCX2 CANVAS-15FL
40	P1711002	FLANGE UNIT-1-1/4"-SAFL206-20
41	P11159047	BOLT-ON CABLE SHEAVE BRACKET
42	P19159012	HOPPER FRONT FLASHING FL
43	P19159020	FX-HOPPER SIDE FLASHING
44	P19159021	FX-15FL HOPPER FLASHING LH
45	P19159022	FX-15FL HOPPER FLASHING RH
46	P20315003	FX-15FL TRANSITION ROLLER

FX1500 SA HYD DRIVE KIT (15000286)

ITEM	PART NO.	DESCRIPTION
1	1300035X	SHAFT GUARD FL-206 ASSY KIT
2	13041038	SHAFT GUARD(FL-206)
3	13060001	HYD MOTOR MOUNT 1314
4	P0115055	BOLT 3/8" X 3/4" GR5 PLATED
5	P0134008	LOCKNUT-NYLON-1/2" GRADE 8
6	P0141002	TEK SCREW 1/4" X 1"
7	P0151006	FLAT WASHER 1/4"PLATED USS
8	P0167002	SPRING PIN 3/8" X 2"
9	P0311001	CHAIN COUPLING 5014
10	P0335140	SPROCKET 5014 1.0(KEY0.25)
11	P0335141	SPROCKET 5014 W 1.25(KEY0.25)
12	P0391003	KEY 1/4"x1-1/2"
13	P0821112	SWIVEL-1/2"MPTX1/2"FPT
14	P0821133	HEX NIPPLE-1/2" (S1022-D)
15	P0841012	HYD MOTOR-6.3 (5.9H) RS-1/2" HOLE
16	P0861035	CHECK VALVE-1/2" (NO HOLE)
17	P1210032	FL-206 SHAFT GUARD PLUG
18	P1210100	1 1/4 HYD MTR GUARD 4.5 x 6.25

FRONT DRIVE PTO KIT 15 SERIES (15592230)

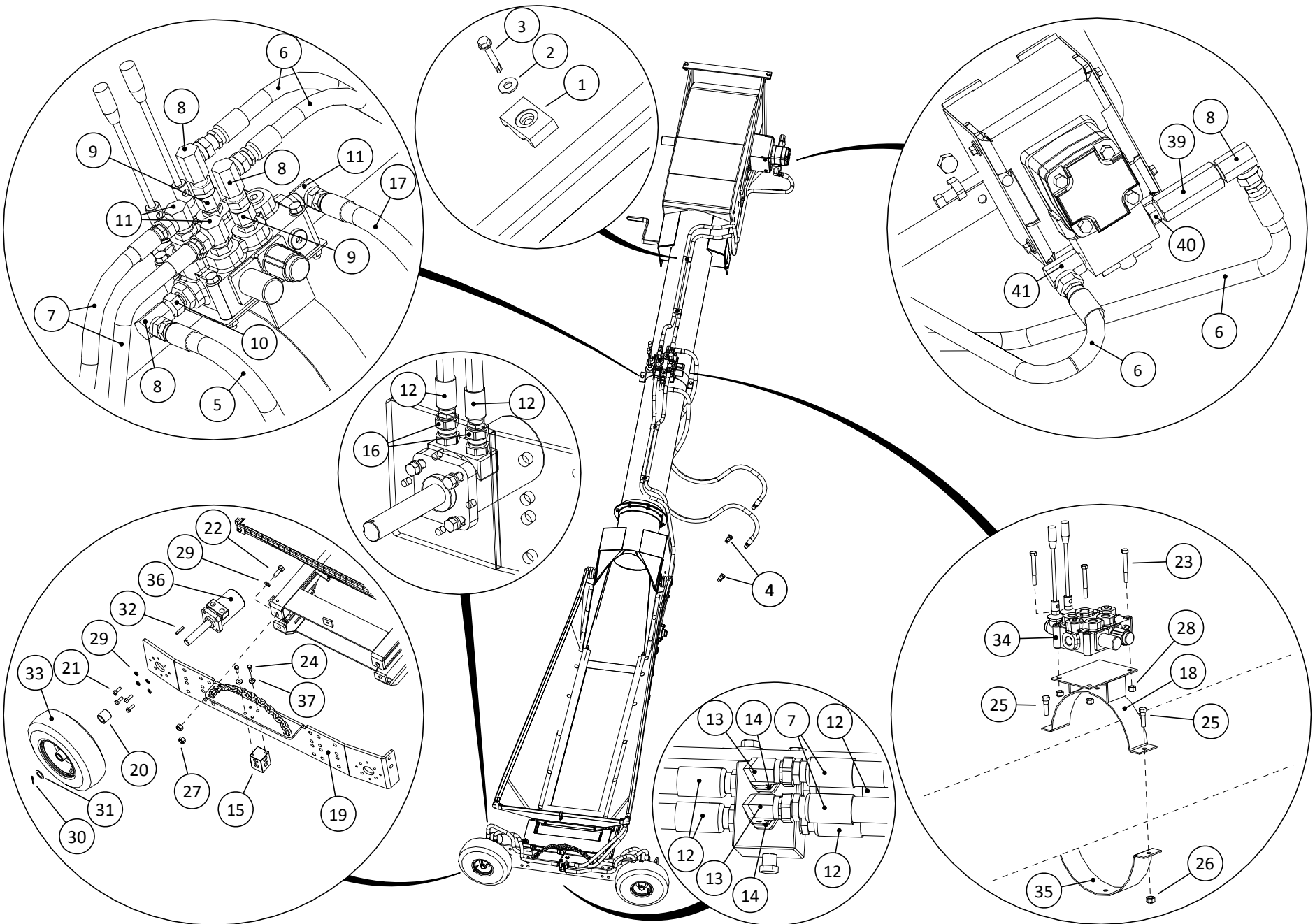


Note: Front PTO Kit (15592230) does not include item # 2, 8

FRONT DRIVE PTO KIT 15 SERIES (15592230)

ITEM	PART NO.	DESCRIPTION
1	01010002	BREATHER -SWING AWAY
2	15590020HM	S-DRIVE ASM W/PINCH HUTCH
3	13030017WC	CLEVIS- WESTFIELD
4	13030064WC	13/15 ADJUSTABLE CLEVIS- WESTFIELD
5	13030065WC	15 SWING ADJUSTABLE TONGUE - WF
6	13040011	PTO GUARD SWING
7	13090019	SWING PTO CRADLE
8	15020148HM	BT HOPPER SECTION 18" HUTCH
9	15040009	COUPLING GUARD
10	15041038	SHAFT GUARD(FL-208)
11	15090067	GEARBOX MOUNT PLATFORM
12	15090071	SWING GEARBOX SIDE MT (SD)
13	15090072	SWING GEARBOX SIDE MT (GBOX)
14	15591000	GBOX 90 1:1 CW/CW 1-1/2 4190 W/OIL
15	15591002	GBOX 90 1:1 CW/CCW 1-1/2 4190 W/OIL
16	15591003	GBOX 90 1.5:1SFTMT 1-1/2 5190 W/OIL
17	20040008	GUARD 6190GB FLIP-UP
18	20092097	SWING 6190 GBOX SIDE MT (LINK ARM)
19	P0115007	BOLT 1" X 4-1/2" GR5 PLATED
20	P0115025	BOLT 1/4" X 1" GR5 PLATED
21	P0115046	BOLT HEX 3/8 X 1
22	P0118013	BOLT 1/2" X 1-1/2" GR8 PLATED
23	P0118016	BOLT 1/2" X 2" GR8 PLATED
24	P0134006	NUT NYLOCK 3/8"
25	P0134008	LOCKNUT-NYLON-1/2" GRADE 8
26	P0134016	LOCKNUT-NYLON-1"
27	P0151006	FLAT WASHER 1/4"PLATED USS
28	P0151009	FLAT WASHER 3/8 USS PLATED
29	P0151029	FLAT WASHER 1/2"PLATED USS
30	P0152004	LOCK WASHER 1/4"PLATED
31	P0152008	LOCK WASHER 1/2" PLATED
32	P0162001	HITCH PIN 1/2" X 3" PLATED
33	P0162003	HITCH PIN 1" X 3-1/2" PLATED
34	P0163001	HAIRPIN 3/16 X 3 1/4
35	P0167002	SPRING PIN 3/8" X 2"
36	P0311003	CHAIN FOR DRIVE(80-2RX12L INCL.CL)
37	P0338122	SPROCKET-H80B12 X 1-1/2
38	P0381003	CV SHAFT-14E W/1-1/2"IMP.END-540RPM
39	P0381028	PTO SHAFT-1-1/2" BOTH ENDS-105"-35
40	P0391002	KEY 3/8" X 2" LONG
41	P1210022	RECESSED HEAD BUTTON PLUG 1-1/2"
42	P1210033	501 SHAFT GUARD PLUG

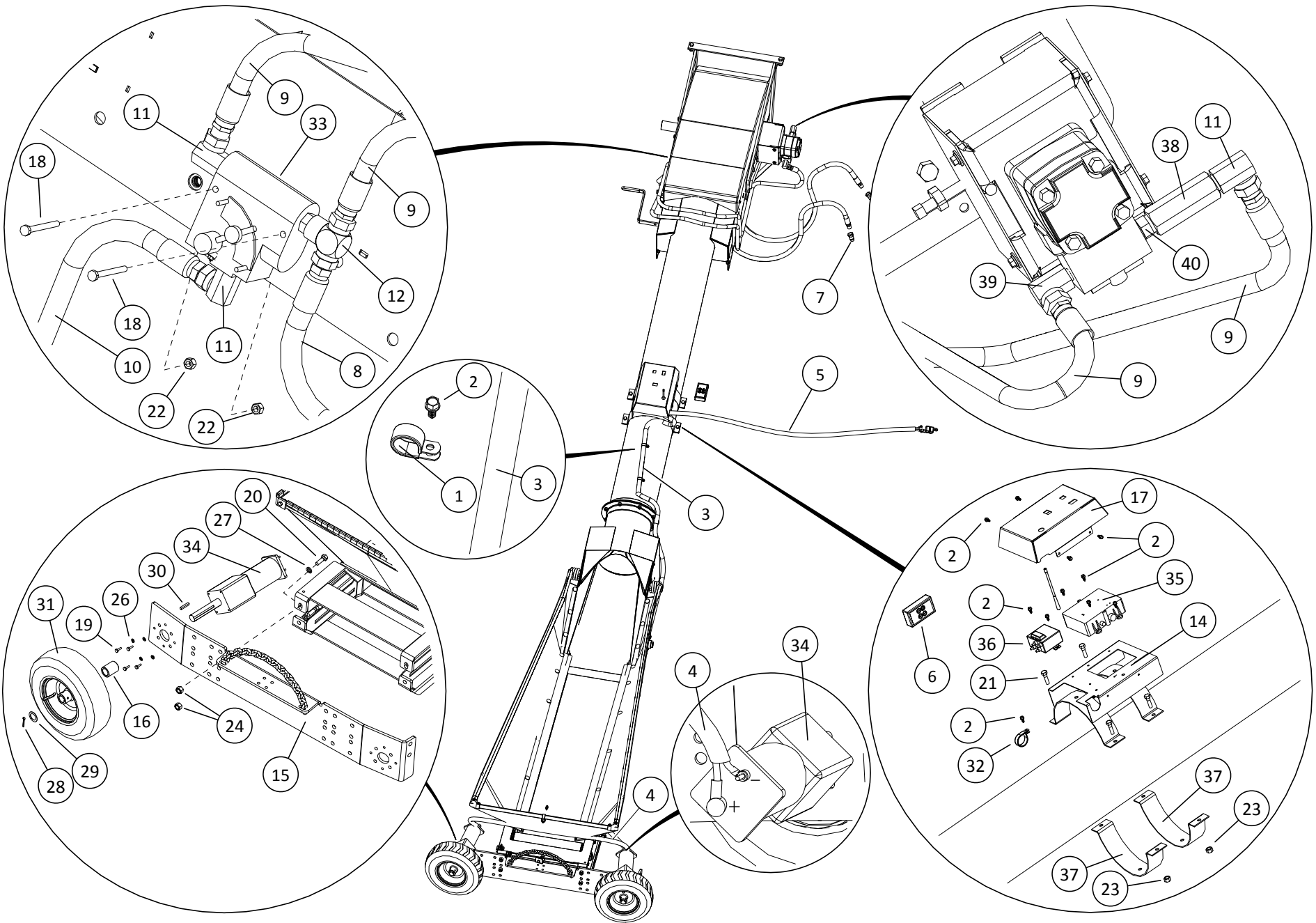
HYDRAULIC POWER SWING (15584435WC)



HYDRAULIC POWER SWING (15584435WC)

ITEM	PART NO.	DESCRIPTION
1	P0820804	HOSE CLAMP -3/8" PLASTIC HYD
2	P0151006	FLAT WASHER 1/4"PLATED USS
3	P0141005	TEK SCREW 1/4"X2"
4	P0820401	PIONEER TIP
5	P0832017	HOSE 3/8(15')-1/2"MPT-1/2"MPT PC
6	P0832051	HOSE 3/8(6')-1/2"MPT-1/2"MPT PC
7	P0832033	HOSE 3/8(14')-1/2"MPT-3/8"MPT PC
8	P0820001	SWIVEL-1/2"PT/90D
9	P0821114	SWIVEL-10MORBX1/2"FPT
10	P0821116	SWIVEL-12MORBX1/2"FPT
11	P0820003	SWIVEL-10MORBX1/2"FPT/90D
12	P0832066	HOSE 3/8(2')-3/8MPT-3/8MPT PC
13	P0820007	SWIVEL-3/8"PT/90D
14	P0821127	SWIVEL-3/8"MPTX3/8"FPT
15	P0861201	CUSHION BLOCK, COMPLETE
16	P0821124	SWIVEL-1/2"MPTX3/8"FPT
17	P0832031	HOSE 1/2(15')-1/2MPT-1/2MPT PC
18	15090076	VALVE BRACKET -PS DUAL
19	20090083	POWER SWING BASE (DUAL MOTOR)
20	20092151	POWER SWING FILLER RING
21	P0115205	BOLT FLANGE 3/8 X 1" PLATED
22	P0118013	BOLT 1/2" X 1-1/2" GR8 PLATED
23	P0118053	BOLT 3/8" X 3" GR8 PLATED
24	P0118061	BOLT 5/16" X 1" GR8 PLATED
25	P0118077	BOLT 7/16" X 1-1/2" GR8 PLATED
26	P0134007	LOCKNUT-NYLON-7/16" GRADE 8
27	P0134008	LOCKNUT-NYLON-1/2" GRADE 8
28	P0134026	LOCKNUT-NYLON-3/8" GR 8 (10-17402)
29	P0151029	FLAT WASHER 1/2"PLATED USS
30	P0161002	COTTER PIN 5/32X1-1/2"PLATED
31	P0351021	MACHINERY BUSHING 1"ID X 18GA
32	P0391003	KEY 1/4"x1-1/2"
33	P0610412L	TIRE-13X5.00-6 TR87-LEFT
33	P0610412R	TIRE-13X5.00-6 TR87-RIGHT
34	P0861015	VALVE-2 SPL-HYSPEC-1 DETENT-22GAL.
35	P2219801	U-CLAMP -10"X2-1/2"
36	P08410121	HYD MOTOR-5.9H W/EXT.SHAFT
37	P0152010	LOCK WASHER 5/16" PLATED
39	P0861035	CHECK VALVE-1/2" (NO HOLE)
40	P0821134	NIPPLE-1/2"MPT-3/8"MPT-HEX
41	P0820008	SWIVEL-3/8"MPTX1/2"FPT/90D

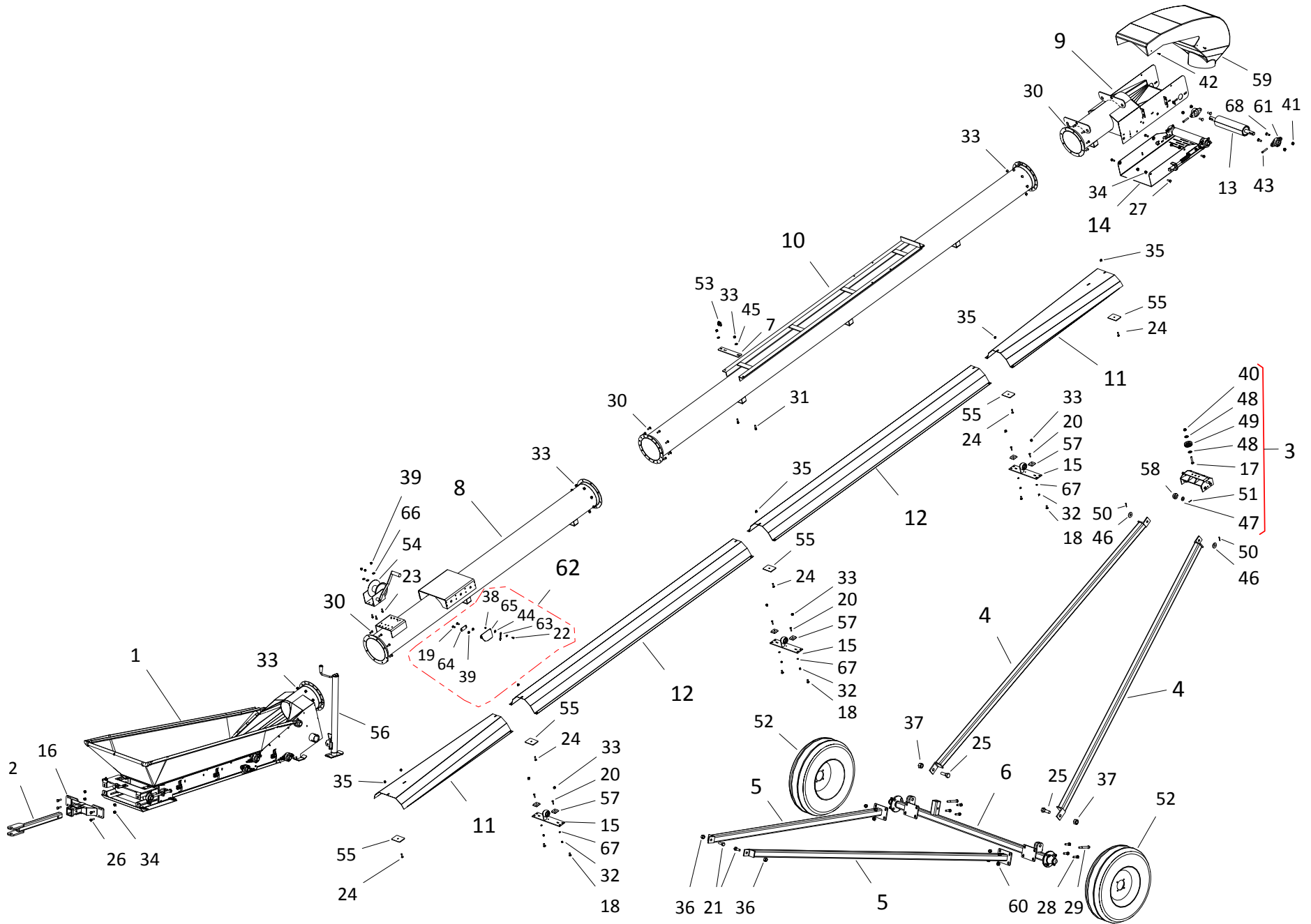
ELECTRIC REMOTE POWER SWING (15584440WC)



ELECTRIC REMOTE POWER SWING (15584440WC)

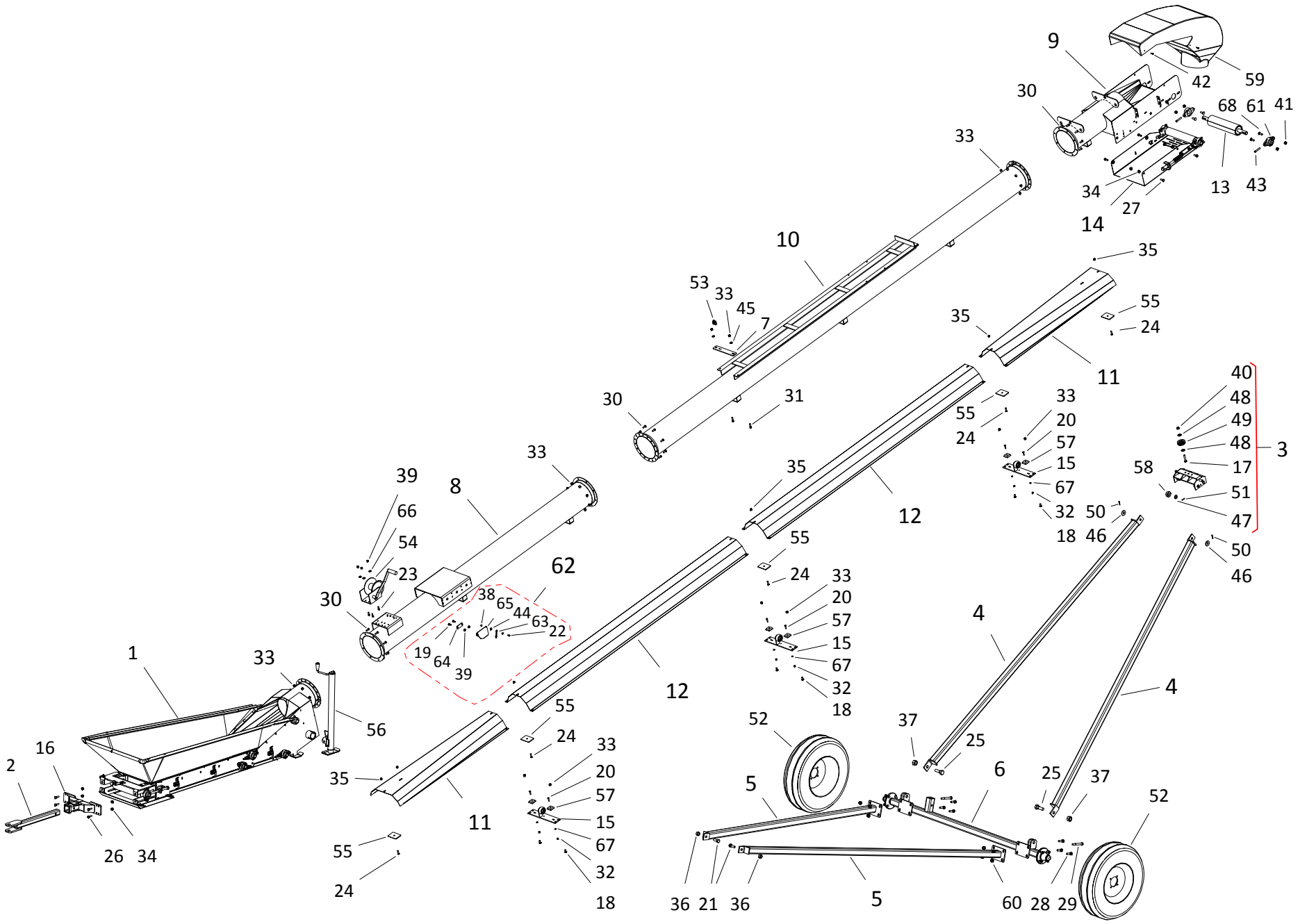
ITEM	PART NO.	DESCRIPTION
1	P0712111	CABLE CLAMP-7/8" INSULATED
2	P0141002	TEK SCREW 1/4" X 1"
3	15581204	CABLE, RECEIVER-MOTOR ASSY
4	20581203	CABLE, MOTOR-MOTOR ASSY
5	20581205	CABLE, RECEIVER-BREAKER ASSY
6	P0941001	REMOTE TRANSMITTER
7	P0820401	PIONEER TIP
8	P0832031	HOSE 1/2(15')-1/2MPT-1/2MPT PC
9	P0832051	HOSE 3/8(6')-1/2"MPT-1/2"MPT PC
10	P0832017	HOSE 3/8(15')-1/2"MPT-1/2"MPT PC
11	P0820001	SWIVEL-1/2"PT/90D
12	P0821201	TEE-SWIVEL-1/2"FEM
13	P0821133	HEX NIPPLE-1/2" (S1022-D)
14	15581201	RECEIVER BRACKET WELDMENT & PAINTED
15	20090083	POWER SWING BASE (DUAL MOTOR)
16	20092152	POWER SWING FILLER RING 1-7/8"
17	20581202	RECEIVER COVER WELDED & PAINTED
18	P0118030	BOLT 1/4" X 2-1/2" GR8 PLATED
19	P0118033	BOLT 1/4" X 3/4" GR8 PLATED
20	P0118013	BOLT 1/2" X 1-1/2" GR8 PLATED
21	P0118077	BOLT 7/16" X 1-1/2" GR8 PLATED
22	P0134023	LOCKNUT-NYLON-1/4" GR8
23	P0134007	LOCKNUT-NYLON-7/16" GRADE 8
24	P0134008	LOCKNUT-NYLON-1/2" GRADE 8
25	P0141002	TEK SCREW 1/4" X 1"
26	P0152004	LOCK WASHER 1/4"PLATED
27	P0152008	LOCK WASHER 1/2" PLATED
28	P0161002	COTTER PIN 5/32X1-1/2"PLATED
29	P0351021	MACHINERY BUSHING 1"ID X 18GA
30	P0391003	KEY 1/4"x1-1/2"
31	P0610412L	TIRE-13X5.00-6 TR87-LEFT
31	P0610412R	TIRE-13X5.00-6 TR87-RIGHT
32	P0712110	CABLE CLAMP-1 1/2" INSULATED
33	P0861016	VALVE-FLOW CONTROL 1/2
34	P0931076	GEARMOTOR 12V DC 120:1 RATIO
35	P0941011	REMOTE RECEIVER AND ANTENNA
36	P0941012	SOLENOID 12V, DC MOTOR 9824
37	P2219801	U-CLAMP -10"X2-1/2"
38	P0861035	CHECK VALVE-1/2" (NO HOLE)
39	P0820008	SWIVEL-3/8"MPTX1/2"FPT/90D
40	P0821134	NIPPLE-1/2"MPT-3/8"MPT-HEX

HGX² 1539 FLTD (15503931HM)



HCX² 1539 FLTD (15503931HM)

ITEM	PART NO.	DESCRIPTION	NOTES
1	15555547HM	HCX2-15 HOPPER RLLER KIT -FL	
2	13030001WC	STRAIGHT TONGUE - WESTFIELD	
3	13030042WC	13/15 SLIDER WESTFIELD	
4	13030053WC	1330TD/1335FL UPRIGHT ARM - WF	
5	13030102WC	AXLE ARM 30/35TD/45-2-1/2"-WF	
6	13030115WC	AXLE 30-45-2-1/2" (WITH 8 LUGS)-WF	
7	13032094WC	35/45 SMALL CABLE ATTACH- WF	
8	15020114HM	35TDFL FX UPPER CENTER TUBE 10' HM	
9	15020147HM	30" SPOUT SECTION TDFL/TD HUTCH	
10	15020154HM	45FL SPOUT SECTION 210" W/RTRN - HM	
11	15042123WC	WF WEATHER GUARD 5' FLR - 61-1/2"	
12	15042127WC	WF WEATHER GUARD 10' - 121-1/2"	
13	15070013	SPOUT DRIVE ROLLER-1-1/4" LAGGED	
14	15597003HM	FX - SPOUT PINCH RLLR KIT- HUTCH	
15	150100811WC	WEATHER GUARD MOUNT BAR KIT-POLY-WF	
16	15030007WC	HITCH FL (ONE PC) WESTFIELD	
17	P0113009	CARRIAGE BOLT 1/2 X 2-3/4	
18	P0113013	CARRIAGE BOLT 7/16"X1" PLATED	
19	P0113015	CARRIAGE BOLT 3/8" X 1" PLATED	
20	P0113020	CARRIAGE BOLT 5/16"X1-1/2"PLATED	
21	P0115111	BOLT 3/4" X 2" GR8 PLATED(10-19592)	
22	P0115129	BLT-SHLDR 5/16X1/4(1/4-20X7/16 THR)	
23	P0115205	BOLT FLANGE 3/8 X 1" PLATED	
24	P0115303	CAPSCREW 3/8X1-1/4FLT HD SOCKET PTD	
25	P0118004	BOLT 1" X 3" GR8 PLATED	
26	P0118016	BOLT 1/2" X 2" GR8 PLATED	
27	P0118020	BOLT 1/2" X 1-1/4" GR8 PLATED	
28	P0118071	BOLT 5/8" X 2" GR8 PLATED	
29	P0118074	BOLT 5/8" X 5" GR8 PLATED	
30	P0118076	BOLT 7/16" X 1" GR8 PLATED	
31	P0118077	BOLT 7/16" X 1-1/2" GR8 PLATED	
32	P0131017	NUT 5/16" PLATED GRADE 8	
33	P0134007	LOCKNUT-NYLON-7/16" GRADE 8	
34	P0134008	LOCKNUT-NYLON-1/2" GRADE 8	
35	P0134026	LOCKNUT-NYLON-3/8" GR 8 (10-17402)	
36	P0134029	LOCKNUT-NYLON-3/4" GRADE 8	
37	P0134030	LOCKNUT-NYLON-1" GRADE 8	
38	P0134104	LOCKNUT-TENSILOCK-1/4"GR5(10-19594)	
39	P0134106	LOCKNUT-TENSILOCK-3/8"	
40	P0134108	LOCKNUT-TENSILOCK-1/2"	
41	P0134008	LOCKNUT-NYLON-1/2" GRADE 8	
42	P0141002	TEK SCREW 1/4" X 1"	
43	P0145002	SQ HD SETSCREW 7/16" X 2 1/2	
44	P0151006	FLAT WASHER 1/4"PLATED USS	
45	P0151009	FLAT WASHER 3/8 USS PLATED	
46	P0151015	FLAT WASHER 3/4"PLATED USS	
47	P0151026	FLAT WASHER 3/4" SAE	
48	P0151029	FLAT WASHER 1/2"PLATED USS	
49	P0713105	CABLE SHEAVE-3"	
50	P0161001	COTTER PIN 1/4" X 2"	



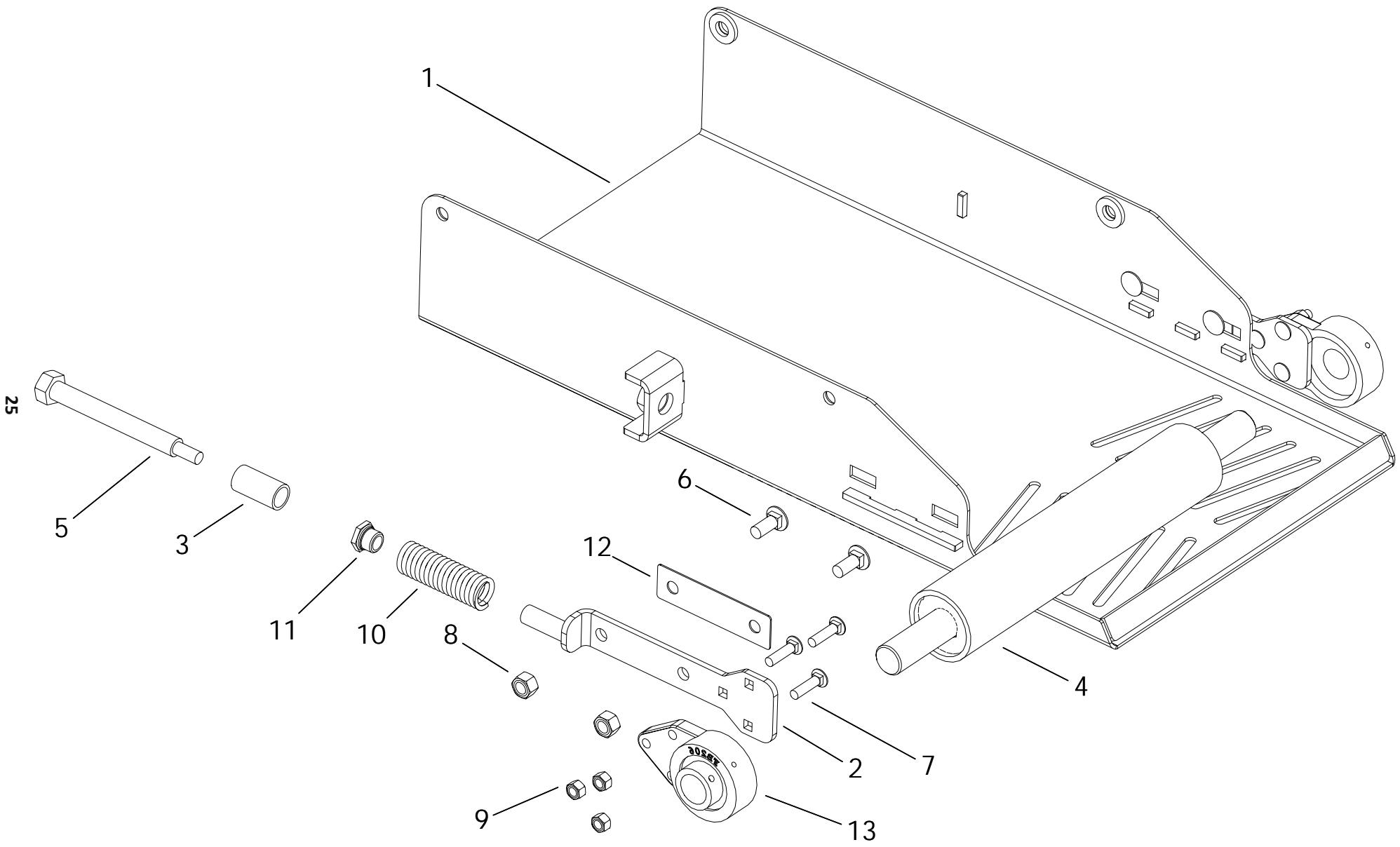
HCX² 1539 FLTD (15503931HM)

ITEM	PART NO.	DESCRIPTION	NOTES
51	P0161003	COTTER PIN 3/16"X1-1/2"PLATED	
52	P0614301	TIRE ASM -4BLT ST205/75D15 LRB	
53	P0712105	CABLE CLAMP-5/16" GALV.	
54	P0714102	WINCH-1500# BRAKE	
55	P1010001	UNI-MOUNT PLATE CAST	
56	P1012010	JACK-1000LB ROUND JACK (15" EXT)	
57	P1210030	BELT GUIDE BLOCK	
58	P1211305	ROLLER 2" NYLON	
59	P1211501	HOOD-ROUND 15 SERIES	
60	P01340101	LOCKNUT-NYLON-5/8" GRADE 8	
61	P1711002	FLANGE UNIT-1-1/4"-SAFL206-20	
62	15011037	CONVEYOR ANGLE INDICATOR	
63	P11159062	CONVEYOR ANGLE ARROW	
64	P11159063P	CONVEYOR ANGLE PLATE, PAINTED	
65	P11159061P	CONVEYOR ANGLE, PAINTED	
66	P0151009	FLAT WASHER 3/8 USS PLATED	
67	P0152010	LOCK WASHER 5/16" PLATED	
68	P0113004	CARRIAGE BOLT 1/2X1 1/2	
69	P302000051	HOLDER MANUAL W/CAP	NOT SHOWN
70	P0711108	CABLE-5/16" (44') (50740)	NOT SHOWN
71	15570359	BELT ASM FX1535TDFL (82'5") PC INC	NOT SHOWN

HOPPER (1555547HM)

ITEM	PART NO.	DESCRIPTION
1	13100029	EXTENDED HOPPER HANDLE
2	15000292	FX-HOPPER -FLASHING ONLY FL
3	15000295HM	HGX2 HOPPER-COLLAPSABLE FL FMD
4	15042303	BCX2 FL UNDERSIDE COVER MAIN
5	15042304	BCX2 FL UNDERSIDE COVER FRONT
6	15070012	TAKE-UP ROLLER-1-1/4" LAGGED
7	15100044HM	HGX2-15FL HOPPER
8	15100126	CX2 HOPPER CLOTH FRAME-UPPER KIT
9	15100127	CX2 HOPPER CLOTH FRAME-LOWER KIT
10	15102058	LOWER CLOTH FRAME TR FRONT
11	15102068	FX2 UPPER CLOTH FRAME SIDES
12	15102069	FX2 UPPER CLOTH FRAME FRONT
13	15102189	15FL LOWER CLOTH FRAME SIDE
14	15102199	CX2 LOWER CLOTH FRAME TRANS
15	15103230	CABLE 1/8" 7X19 GAC (13.25')
16	P0113004	CARRIAGE BOLT 1/2X1 1/2
17	P0113022	CARRIAGE BOLT 1/4" X 3/4"
18	P0113025	BOLT CARRIAGE 1/4"X1" PLATED F/T
19	P0114010	TAP BOLT 3/4 X 9 UNC GR.5 PLATED
20	P0115113	BOLT 3/8" X 1-1/2" GR8 PLATED
21	P0116001	ELEVATOR BOLT 1/4" X 1-1/4" PLATED
22	P0118026	BOLT 1/4" X 1-1/2" GR8 PLATED
23	P0131016	NUT 1/4" PLATED GRADE 8
24	P0131018	NUT 3/8" PLATED GRADE 8 (10-17754)
25	P0131019	NUT 3/4" PLATED GRADE 8 (10-19997)
26	P0134008	LOCKNUT-NYLON-1/2" GRADE 8
27	P0134023	LOCKNUT-NYLON-1/4" GR8
28	P0134104	LOCKNUT-TENSILOCK-1/4"GR5(10-19594)
29	P0145004	SET SCREW-7/16"X1-1/2"SQ.HD.PLATED
30	P0151009	FLAT WASHER 3/8 USS PLATED
31	P0163015	PIN 3/8" X 1-3/8" LOCKING
32	P0184040	SPACER, TENSION CLAMP
33	P0184041	CLAMP TENSION, LATCH071
34	P0521005	HOPPER SPRING-L-.437
35	P0521006	HOPPER SPRING-R-.437
36	P0712104	CABLE CLAMP-1/8" GALV.
37	P0713104	CABLE SHEAVE-1-1/4" W/BEARING
38	P0871013	ELBOW-RAIL FTNG FOR 1/2" SCH PIPE
39	P1621045	HGX2 CANVAS-15FL
40	P1711002	FLANGE UNIT-1-1/4"-SAFL206-20
41	P11159047	BOLT-ON CABLE SHEAVE BRACKET
42	P19159012	HOPPER FRONT FLASHING FL
43	P19159020	FX-HOPPER SIDE FLASHING
44	P19159021	FX-15FL HOPPER FLASHING LH
45	P19159022	FX-15FL HOPPER FLASHING RH
46	P20315003	FX-15FL TRANSITION ROLLER
47	15556802	SPLIT LOOM 15.875FT

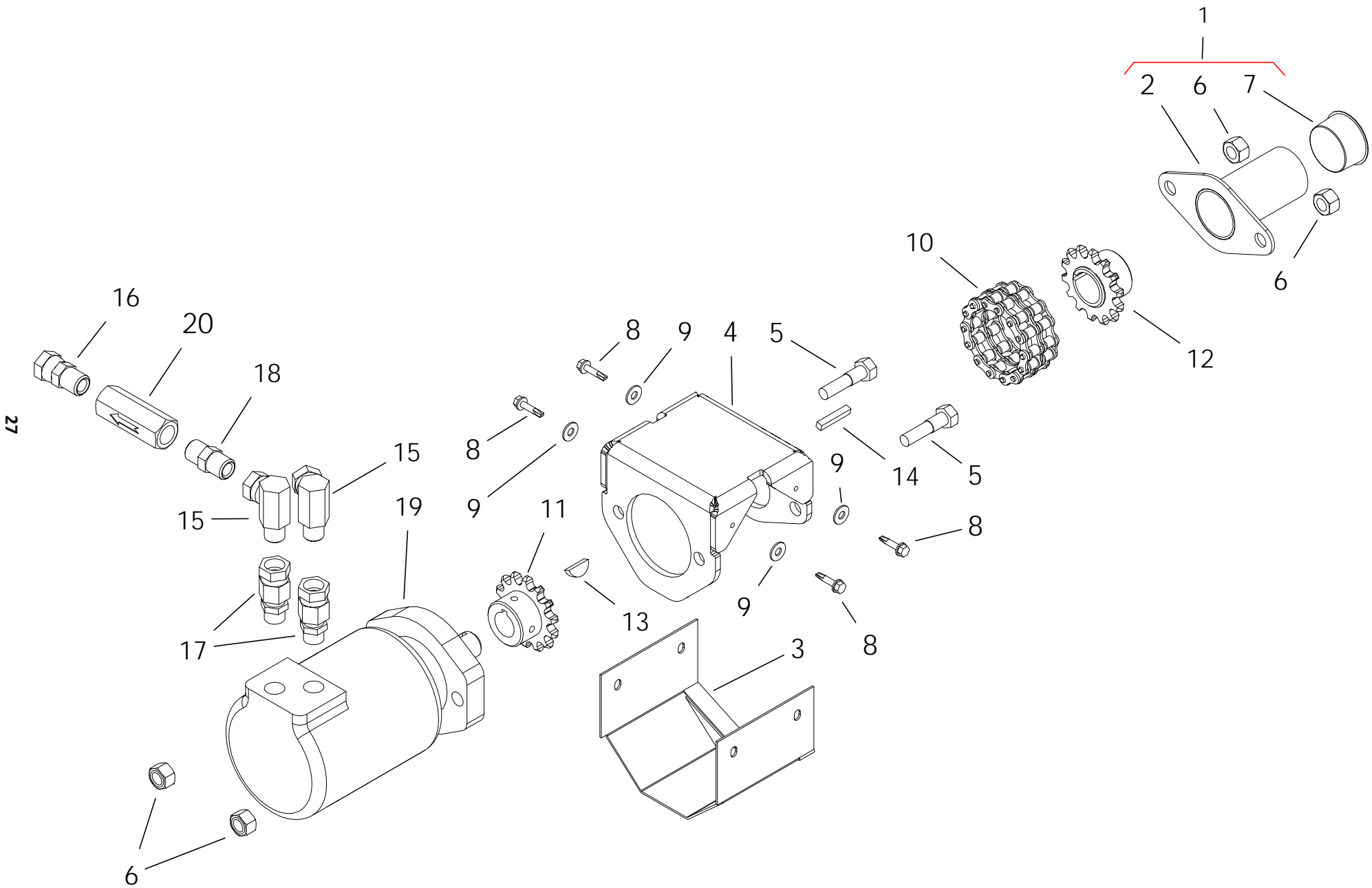
SPOUT PINCH ROLLER KIT (15597003HM)



SPOUT PINCH ROLLER KIT (15597003HM)

ITEM	PART NO.	DESCRIPTION
1	15061022HM	FX - TD PINCH MOUNT HUTCH
2	15061024	FX - PUSH BAR
3	15062110	TD PINCH PIPE (KAN)
4	15070032	FX - PINCH ROLLER
5	P0113000	SPRING TENSION BOLT
6	P0113004	CARRIAGE BOLT 1/2X1 1/2
7	P0113015	CARRIAGE BOLT 3/8" X 1" PLATED
8	P0134008	LOCKNUT-NYLON-1/2" GRADE 8
9	P0134106	LOCKNUT-TENSILOCK-3/8"
10	P0511008	SPRING 13/15'S SDRIVE
11	P0820129	BUSHING BRASS FLANGED
12	P1211023	TD PINCH SLIDER PLATE
13	P1711010	3 BOLT FLANGE UNIT-1-1/4"-206

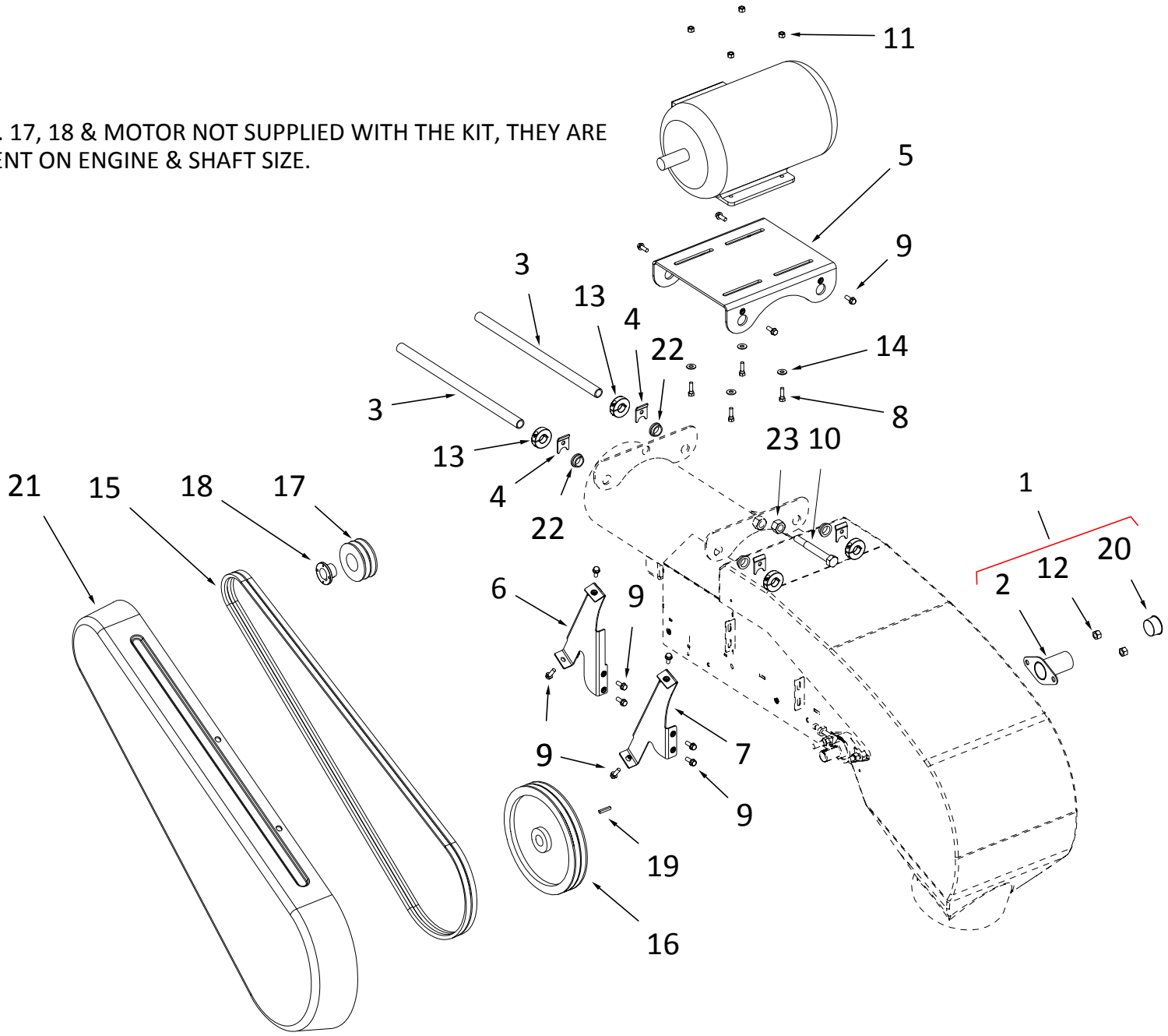
HYDRAULIC DRIVE KIT (15000285)



HYDRAULIC DRIVE KIT (15000285)

ITEM	PART NO.	DESCRIPTION
1	1300035X	SHAFT GUARD FL-206 ASSY KIT
2	13041038	SHAFT GUARD(FL-206)
3	15041040	HYD COUPLER GUARD
4	15062408	HYD MOTOR MOUNT
5	P0118016	BOLT 1/2" X 2" GR8 PLATED
6	P0134008	LOCKNUT-NYLON-1/2" GRADE 8
7	P1210032	FL-206 SHAFT GUARD PLUG
8	P0141002	TEK SCREW 1/4" X 1"
9	P0151006	FLAT WASHER 1/4"PLATED USS
10	P0311001	CHAIN COUPLING 5014
11	P0335140	SPROCKET 5014 1.0(KEY0.25)
12	P0335141	SPROCKET 5014 W 1.25(KEY0.25)
13	P0391001	WOODRUFF (#808) 1/4 X 1
14	P0391003	KEY 1/4"x1-1/2"
15	P0820001	SWIVEL-1/2"PT/90D
16	P0821112	SWIVEL-1/2"MPTX1/2"FPT
17	P0821114	SWIVEL-10MORBX1/2"FPT
18	P0821133	HEX NIPPLE-1/2" (S1022-D)
19	P0841019	HYD MOTOR-6.2-2000-1"
20	P0861035	CHECK VALVE-1/2" (NO HOLE)

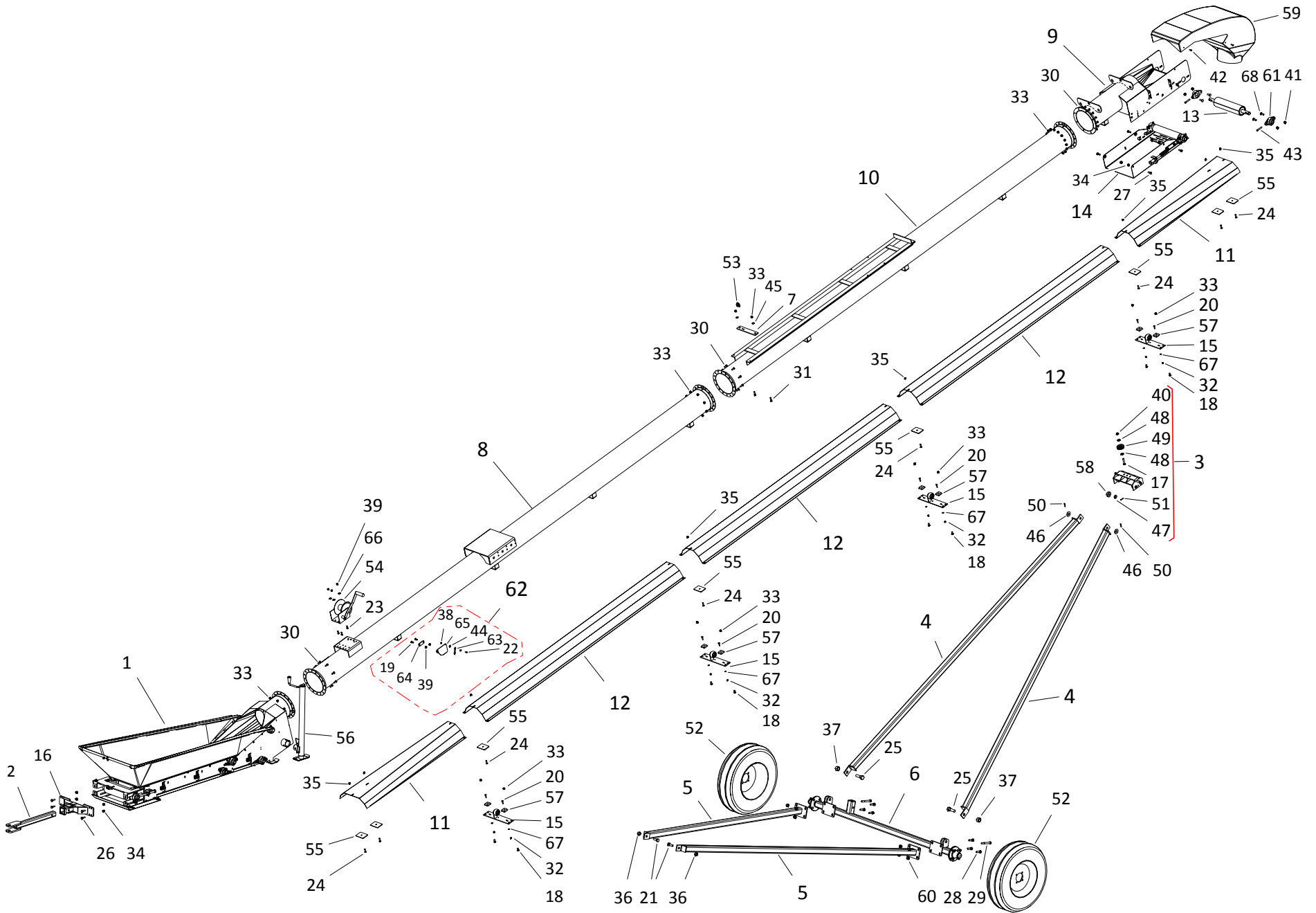
ITEM NO. 17, 18 & MOTOR NOT SUPPLIED WITH THE KIT, THEY ARE DEPENDENT ON ENGINE & SHAFT SIZE.



ELECTRIC DRIVE KIT (15000277)

ITEM	PART NO.	DESCRIPTION
1	1300035X	SHAFT GUARD FL-206 ASSY KIT
2	13041038	SHAFT GUARD(FL-206)
3	15060016	MOTOR RAIL
4	15060088	BUSHING RETAINER (PNT)
5	15060089	MOTOR BASE (PAINTED)
6	15060092	MOTOR SIDE GUARD MOUNT
7	15060093	HOOD SIDE GUARD MOUNT
8	P0118050	BOLT 3/8" X 2" GR8
9	P0115205	BOLT FLANGE 3/8 X 1" PLATED
10	P0113000	SPRING TENSION BOLT
11	P0134006	NUT NYLOCK 3/8"
12	P0134008	LOCKNUT-NYLON-1/2" GRADE 8
13	P0147001	CSC SHAFT COLLER 1"
14	P0151009	FLAT WASHER 3/8 USS PLATED
15	P0321106	BELT B106
16	P0328007	PULLEY -DBL-12"W/1-1/4"BORE
17	P0328018	PULLEY-DBL-BK-4"H
18	P0340320	HUB-H 1-1/4"
19	P0391003	KEY 1/4"x1-1/2"
20	P1210032	FL-206 SHAFT GUARD PLUG
21	P1211805	PIT GUARD (SLOTTED)
22	P1743017	IGUS BUSHING 1" ID X 1/2" WIDE
23	P0131019	NUT 3/4" PLATED GRADE 8 (10-19997)

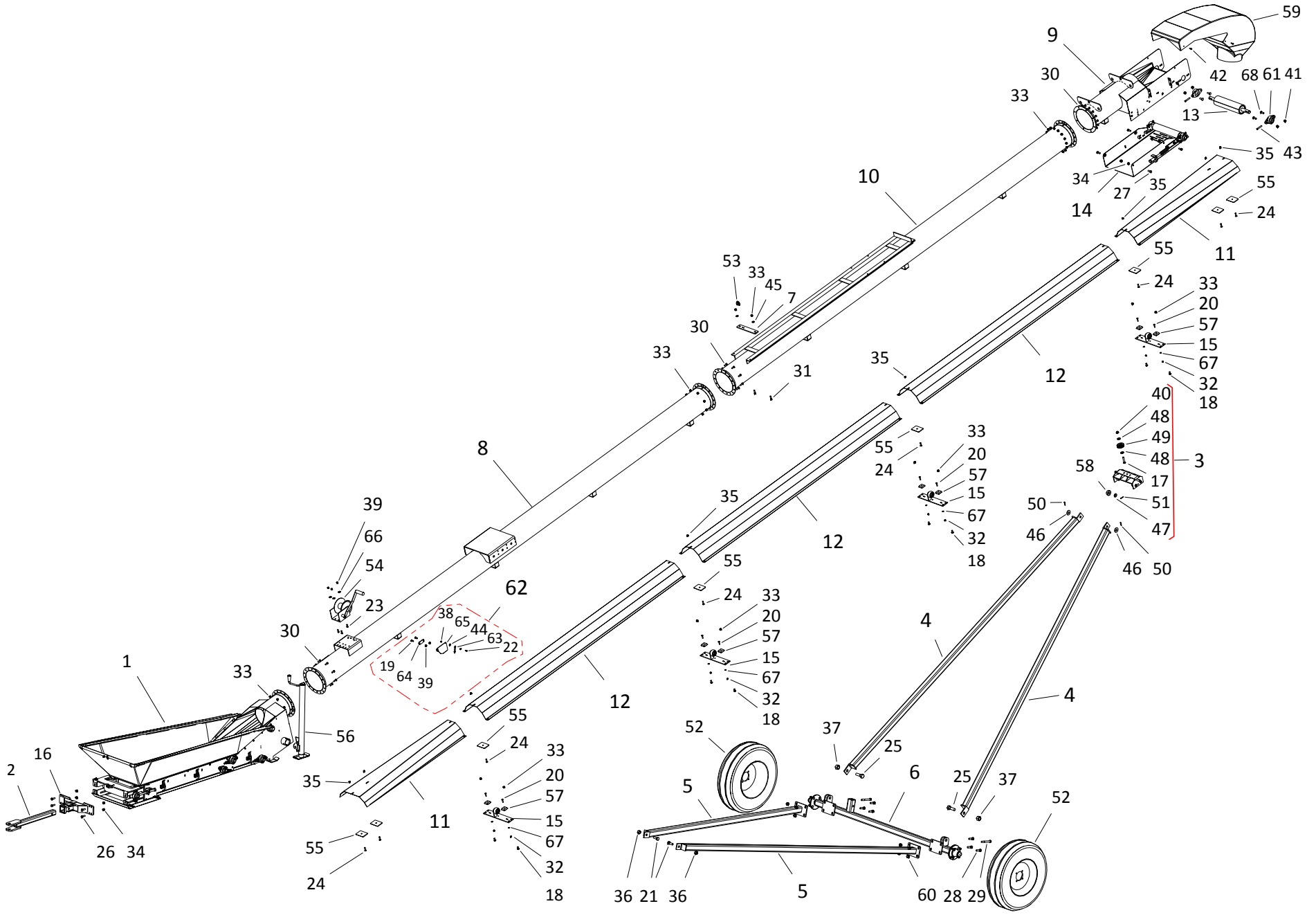
HGX² 1549 FLT D (15504931HM)



HCX² 1549 FLTD (15504931HM)

ITEM	PART NO.	DESCRIPTION	NOTES
1	15555547HM	HCX2-15 HOPPER RLLER KIT -FL	
2	13030001WC	STRAIGHT TONGUE - WESTFIELD	
3	13030042WC	13/15 SLIDER WESTFIELD	
4	13030048WC	45 FIELD LOADER UPRIGHT ARM - WF	
5	13030102WC	AXLE ARM 30/35TD/45-2-1/2"-WF	
6	13030115WC	AXLE 30-45-2-1/2" (WITH 8 LUGS)-WF	
7	13032094WC	35/45 SMALL CABLE ATTACH- WF	
8	15020118HM	45TDFL UPPER CENTER 20'FX HOPPER HM	
9	15020147HM	30" SPOUT SECTION TDFL/TD HUTCH	
10	15020150HM	45FL SPOUT SECTION 210" - HM	
11	15042123WC	WF WEATHER GUARD 5' FLR - 61-1/2"	
12	15042127WC	WF WEATHER GUARD 10' - 121-1/2"	
13	15070013	SPOUT DRIVE ROLLER-1-1/4" LAGGED	
14	15597003HM	FX - SPOUT PINCH RLLR KIT- HUTCH	
15	150100811WC	WEATHER GUARD MOUNT BAR KIT-POLY-WF	
16	15030007WC	HITCH FL (ONE PC) WESTFIELD	
17	P0113009	CARRIAGE BOLT 1/2 X 2-3/4	
18	P0113013	CARRIAGE BOLT 7/16"X1" PLATED	
19	P0113015	CARRIAGE BOLT 3/8" X 1" PLATED	
20	P0113020	CARRIAGE BOLT 5/16"X1-1/2"PLATED	
21	P0115111	BOLT 3/4" X 2" GR8 PLATED(10-19592)	
22	P0115129	BLT-SHLDR 5/16X1/4(1/4-20X7/16 THR)	
23	P0115205	BOLT FLANGE 3/8 X 1" PLATED	
24	P0115303	CAPSCREW 3/8X1-1/4FLT HD SOCKET PTD	
25	P0118004	BOLT 1" X 3" GR8 PLATED	
26	P0118016	BOLT 1/2" X 2" GR8 PLATED	
27	P0118020	BOLT 1/2" X 1-1/4" GR8 PLATED	
28	P0118071	BOLT 5/8" X 2" GR8 PLATED	
29	P0118074	BOLT 5/8" X 5" GR8 PLATED	
30	P0118076	BOLT 7/16" X 1" GR8 PLATED	
31	P0118077	BOLT 7/16" X 1-1/2" GR8 PLATED	
32	P0131017	NUT 5/16" PLATED GRADE 8	
33	P0134007	LOCKNUT-NYLON-7/16" GRADE 8	
34	P0134008	LOCKNUT-NYLON-1/2" GRADE 8	
35	P0134026	LOCKNUT-NYLON-3/8" GR 8 (10-17402)	
36	P0134029	LOCKNUT-NYLON-3/4" GRADE 8	
37	P0134030	LOCKNUT-NYLON-1" GRADE 8	
38	P0134104	LOCKNUT-TENSILOCK-1/4"GR5(10-19594)	
39	P0134106	LOCKNUT-TENSILOCK-3/8"	
40	P0134108	LOCKNUT-TENSILOCK-1/2"	
41	P0134008	LOCKNUT-NYLON-1/2" GRADE 8	
42	P0141002	TEK SCREW 1/4" X 1"	
43	P0145002	SQ HD SETSCREW 7/16" X 2 1/2	
44	P0151006	FLAT WASHER 1/4"PLATED USS	
45	P0151009	FLAT WASHER 3/8 USS PLATED	
46	P0151015	FLAT WASHER 3/4"PLATED USS	
47	P0151026	FLAT WASHER 3/4" SAE	
48	P0151029	FLAT WASHER 1/2"PLATED USS	
49	P0713105	CABLE SHEAVE-3"	
50	P0161001	COTTER PIN 1/4" X 2"	

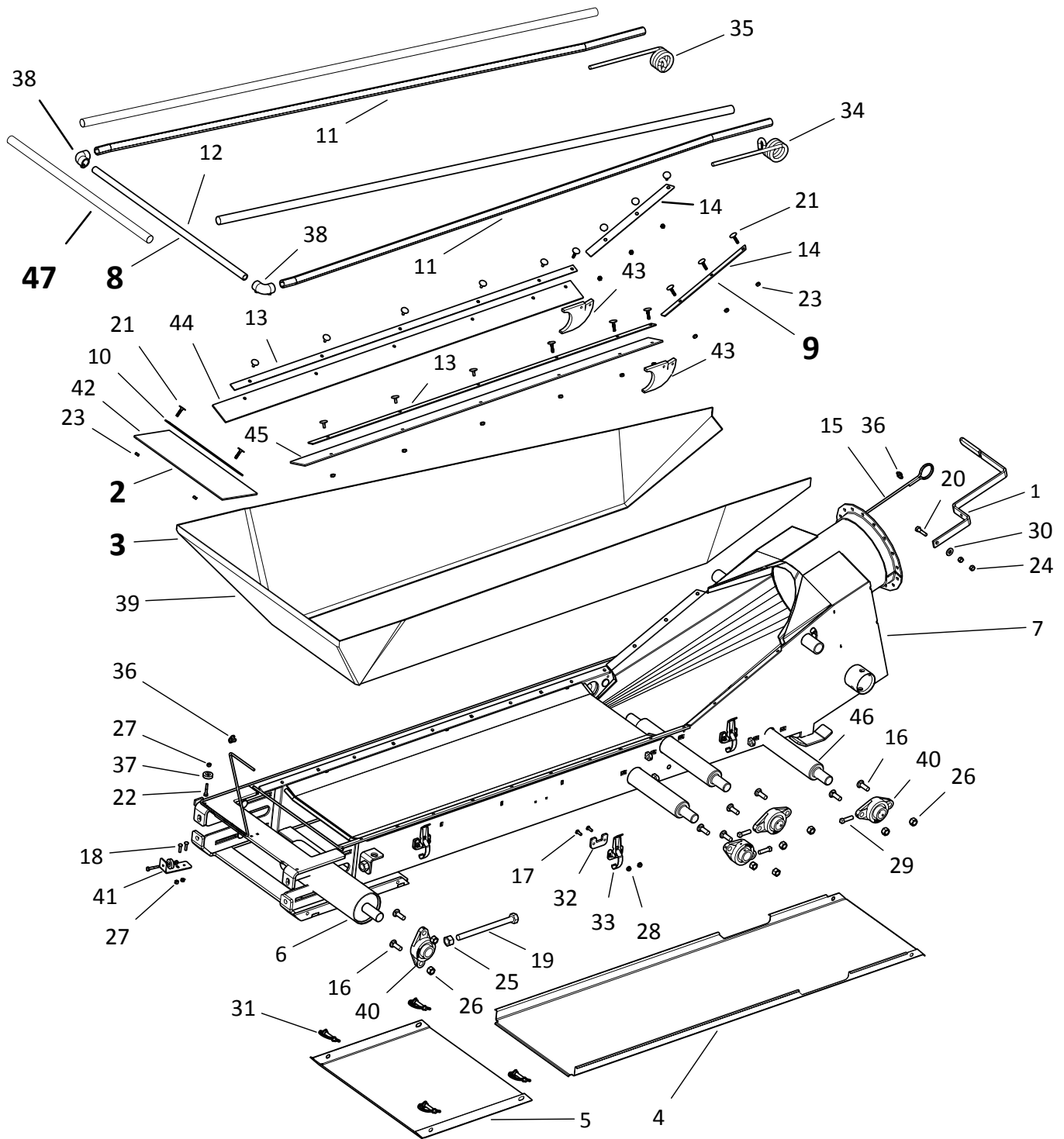
HCX² 1549 FLT D (15504931HM)



HCX² 1549 FLTD (15504931HM)

ITEM	PART NO.	DESCRIPTION	NOTES
51	P0161003	COTTER PIN 3/16"X1-1/2"PLATED	
52	P0614301	TIRE ASM -4BLT ST205/75D15 LRB	
53	P0712105	CABLE CLAMP-5/16" GALV.	
54	P0714102	WINCH-1500# BRAKE	
55	P1010001	UNI-MOUNT PLATE CAST	
56	P1012010	JACK-1000LB ROUND JACK (15" EXT)	
57	P1210030	BELT GUIDE BLOCK	
58	P1211305	ROLLER 2" NYLON	
59	P1211501	HOOD-ROUND 15 SERIES	
60	P01340101	LOCKNUT-NYLON-5/8" GRADE 8	
61	P1711002	FLANGE UNIT-1-1/4"-SAFL206-20	
62	15011037	CONVEYOR ANGLE INDICATOR	
63	P11159062	CONVEYOR ANGLE ARROW	
64	P11159063P	CONVEYOR ANGLE PLATE, PAINTED	
65	P11159061P	CONVEYOR ANGLE, PAINTED	
66	P0151009	FLAT WASHER 3/8 USS PLATED	
67	P0152010	LOCK WASHER 5/16" PLATED	
68	P0113004	CARRIAGE BOLT 1/2X1 1/2	
69	P302000051	HOLDER MANUAL W/CAP	NOT SHOWN
70	P0711108	CABLE-5/16" (44') (50740)	NOT SHOWN
71	15570458	BELT FX 45TDFL (102'5")	NOT SHOWN

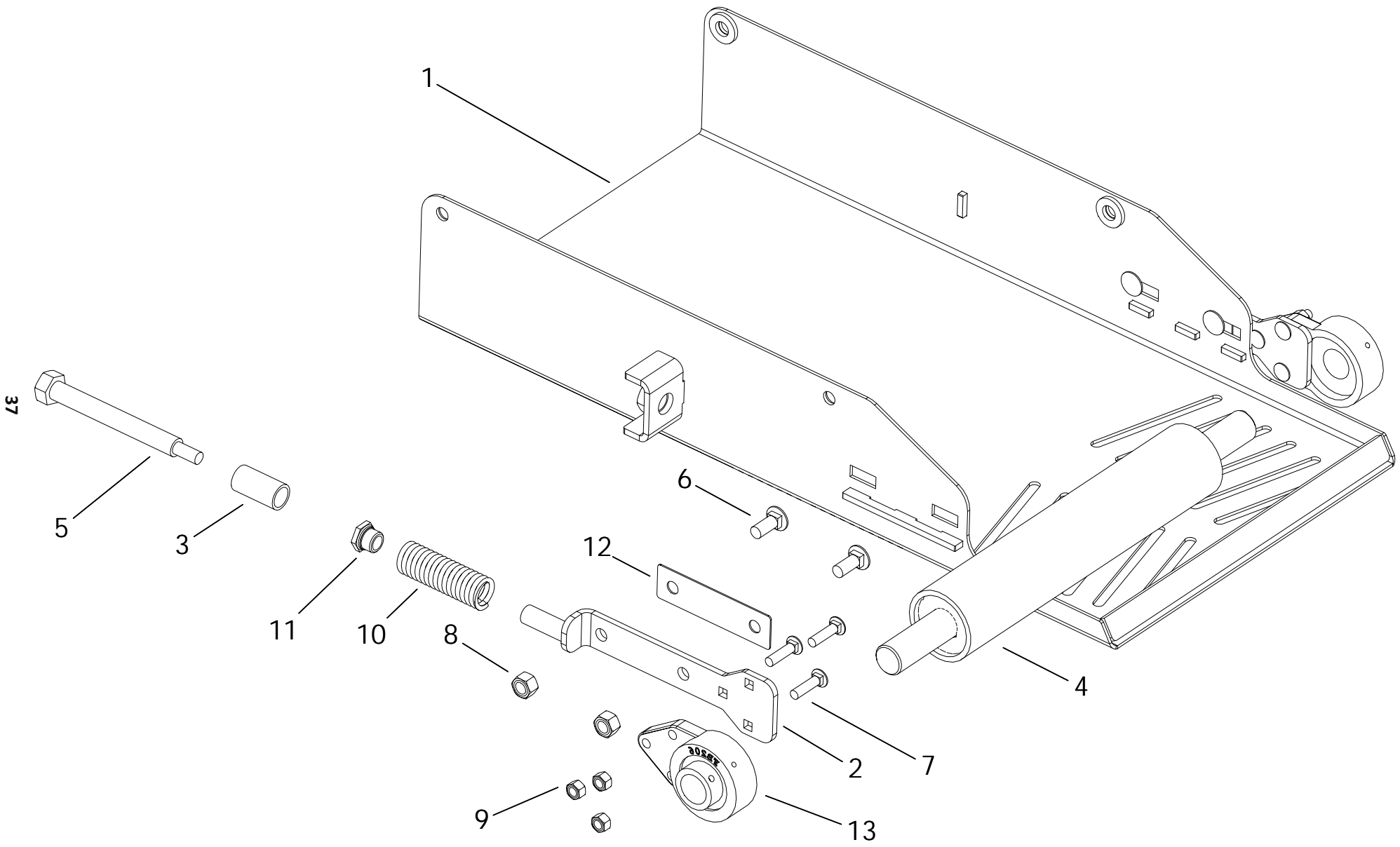
HOPPER (1555547HM)



HOPPER (1555547HM)

ITEM	PART NO.	DESCRIPTION
1	13100029	EXTENDED HOPPER HANDLE
2	15000292	FX-HOPPER -FLASHING ONLY FL
3	15000295HM	HCX2 HOPPER-COLLAPSABLE FL FMD
4	15042303	BCX2 FL UNDERSIDE COVER MAIN
5	15042304	BCX2 FL UNDERSIDE COVER FRONT
6	15070012	TAKE-UP ROLLER-1-1/4" LAGGED
7	15100044HM	HCX2-15FL HOPPER
8	15100126	CX2 HOPPER CLOTH FRAME-UPPER KIT
9	15100127	CX2 HOPPER CLOTH FRAME-LOWER KIT
10	15102058	LOWER CLOTH FRAME TR FRONT
11	15102068	FX2 UPPER CLOTH FRAME SIDES
12	15102069	FX2 UPPER CLOTH FRAME FRONT
13	15102189	15FL LOWER CLOTH FRAME SIDE
14	15102199	CX2 LOWER CLOTH FRAME TRANS
15	15103230	CABLE 1/8" 7X19 GAC (13.25')
16	P0113004	CARRIAGE BOLT 1/2X1 1/2
17	P0113022	CARRIAGE BOLT 1/4" X 3/4"
18	P0113025	BOLT CARRIAGE 1/4"X1" PLATED F/T
19	P0114010	TAP BOLT 3/4 X 9 UNC GR.5 PLATED
20	P0115113	BOLT 3/8" X 1-1/2" GR8 PLATED
21	P0116001	ELEVATOR BOLT 1/4" X 1-1/4" PLATED
22	P0118026	BOLT 1/4" X 1-1/2" GR8 PLATED
23	P0131016	NUT 1/4" PLATED GRADE 8
24	P0131018	NUT 3/8" PLATED GRADE 8 (10-17754)
25	P0131019	NUT 3/4" PLATED GRADE 8 (10-19997)
26	P0134008	LOCKNUT-NYLON-1/2" GRADE 8
27	P0134023	LOCKNUT-NYLON-1/4" GR8
28	P0134104	LOCKNUT-TENSILOCK-1/4"GR5(10-19594)
29	P0145004	SET SCREW-7/16"X1-1/2"SQ.HD.PLATED
30	P0151009	FLAT WASHER 3/8 USS PLATED
31	P0163015	PIN 3/8" X 1-3/8" LOCKING
32	P0184040	SPACER, TENSION CLAMP
33	P0184041	CLAMP TENSION, LATCH071
34	P0521005	HOPPER SPRING-L-.437
35	P0521006	HOPPER SPRING-R-.437
36	P0712104	CABLE CLAMP-1/8" GALV.
37	P0713104	CABLE SHEAVE-1-1/4" W/BEARING
38	P0871013	ELBOW-RAIL FTNG FOR 1/2" SCH PIPE
39	P1621045	HCX2 CANVAS-15FL
40	P1711002	FLANGE UNIT-1-1/4"-SAFL206-20
41	P11159047	BOLT-ON CABLE SHEAVE BRACKET
42	P19159012	HOPPER FRONT FLASHING FL
43	P19159020	FX-HOPPER SIDE FLASHING
44	P19159021	FX-15FL HOPPER FLASHING LH
45	P19159022	FX-15FL HOPPER FLASHING RH
46	P20315003	FX-15FL TRANSITION ROLLER
47	15556802	SPLIT LOOM 15.875FT

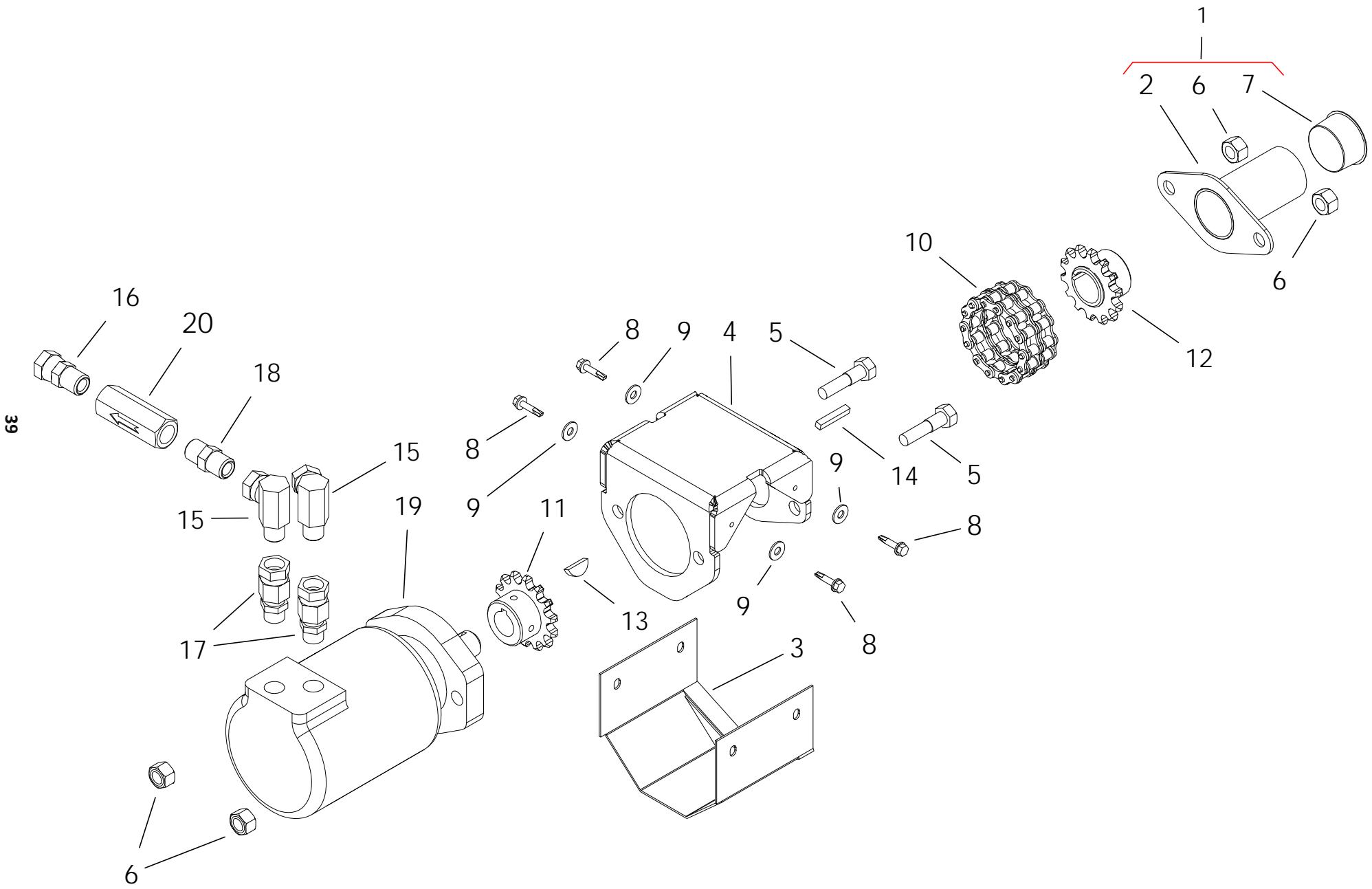
SPOUT PINCH ROLLER KIT (15597003HM)



SPOUT PINCH ROLLER KIT (15597003HM)

ITEM	PART NO.	DESCRIPTION
1	15061022HM	FX - TD PINCH MOUNT HUTCH
2	15061024	FX - PUSH BAR
3	15062110	TD PINCH PIPE (KAN)
4	15070032	FX - PINCH ROLLER
5	P0113000	SPRING TENSION BOLT
6	P0113004	CARRIAGE BOLT 1/2X1 1/2
7	P0113015	CARRIAGE BOLT 3/8" X 1" PLATED
8	P0134008	LOCKNUT-NYLON-1/2" GRADE 8
9	P0134106	LOCKNUT-TENSILOCK-3/8"
10	P0511008	SPRING 13/15'S SDRIVE
11	P0820129	BUSHING BRASS FLANGED
12	P1211023	TD PINCH SLIDER PLATE
13	P1711010	3 BOLT FLANGE UNIT-1-1/4"-206

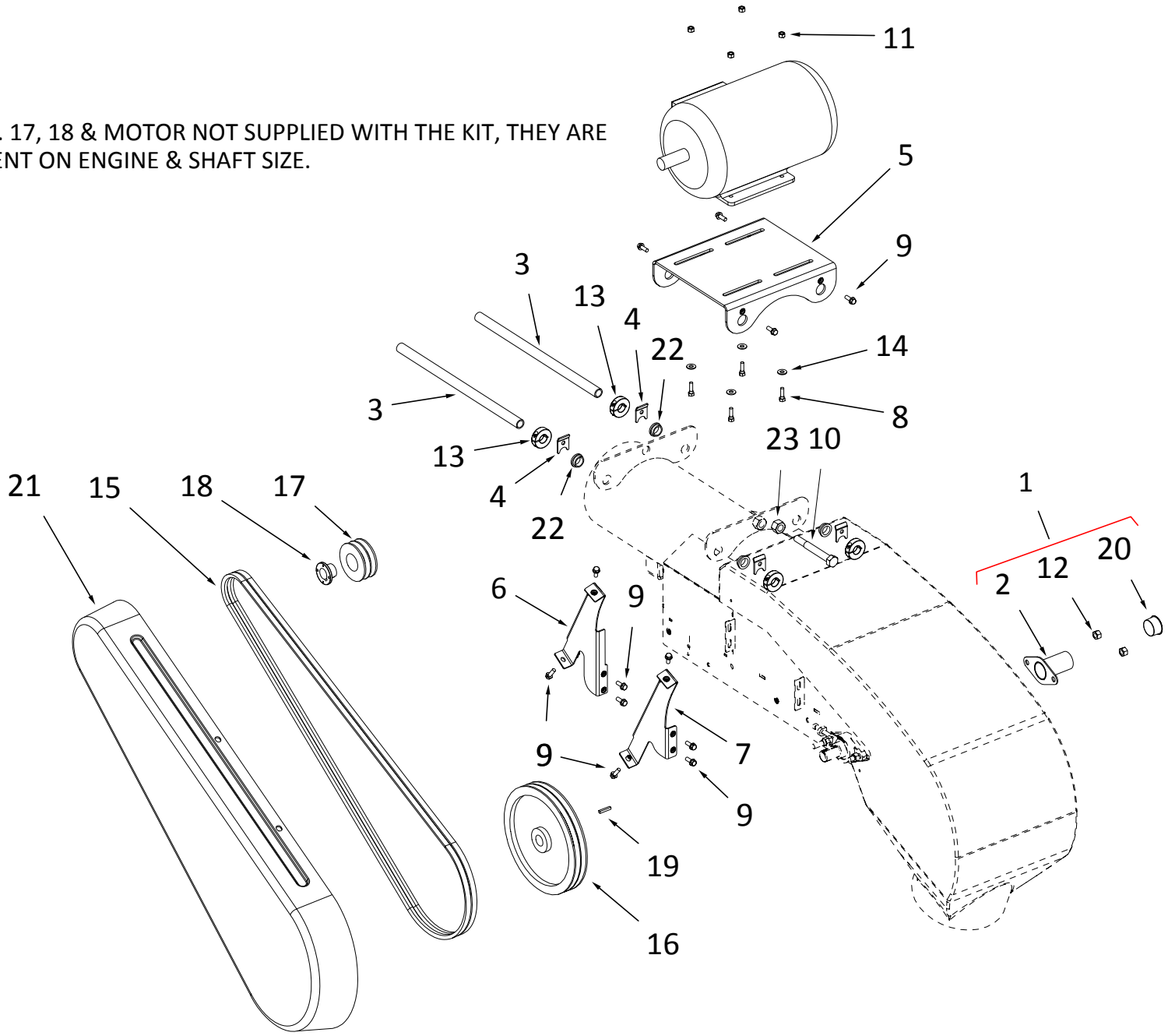
HYDRAULIC DRIVE KIT (15000285)



HYDRAULIC DRIVE KIT (15000285)

ITEM	PART NO.	DESCRIPTION
1	1300035X	SHAFT GUARD FL-206 ASSY KIT
2	13041038	SHAFT GUARD(FL-206)
3	15041040	HYD COUPLER GUARD
4	15062408	HYD MOTOR MOUNT
5	P0118016	BOLT 1/2" X 2" GR8 PLATED
6	P0134008	LOCKNUT-NYLON-1/2" GRADE 8
7	P1210032	FL-206 SHAFT GUARD PLUG
8	P0141002	TEK SCREW 1/4" X 1"
9	P0151006	FLAT WASHER 1/4"PLATED USS
10	P0311001	CHAIN COUPLING 5014
11	P0335140	SPROCKET 5014 1.0(KEY0.25)
12	P0335141	SPROCKET 5014 W 1.25(KEY0.25)
13	P0391001	WOODRUFF (#808) 1/4 X 1
14	P0391003	KEY 1/4"x1-1/2"
15	P0820001	SWIVEL-1/2"PT/90D
16	P0821112	SWIVEL-1/2"MPTX1/2"FPT
17	P0821114	SWIVEL-10MORBX1/2"FPT
18	P0821133	HEX NIPPLE-1/2" (S1022-D)
19	P0841019	HYD MOTOR-6.2-2000-1"
20	P0861035	CHECK VALVE-1/2" (NO HOLE)

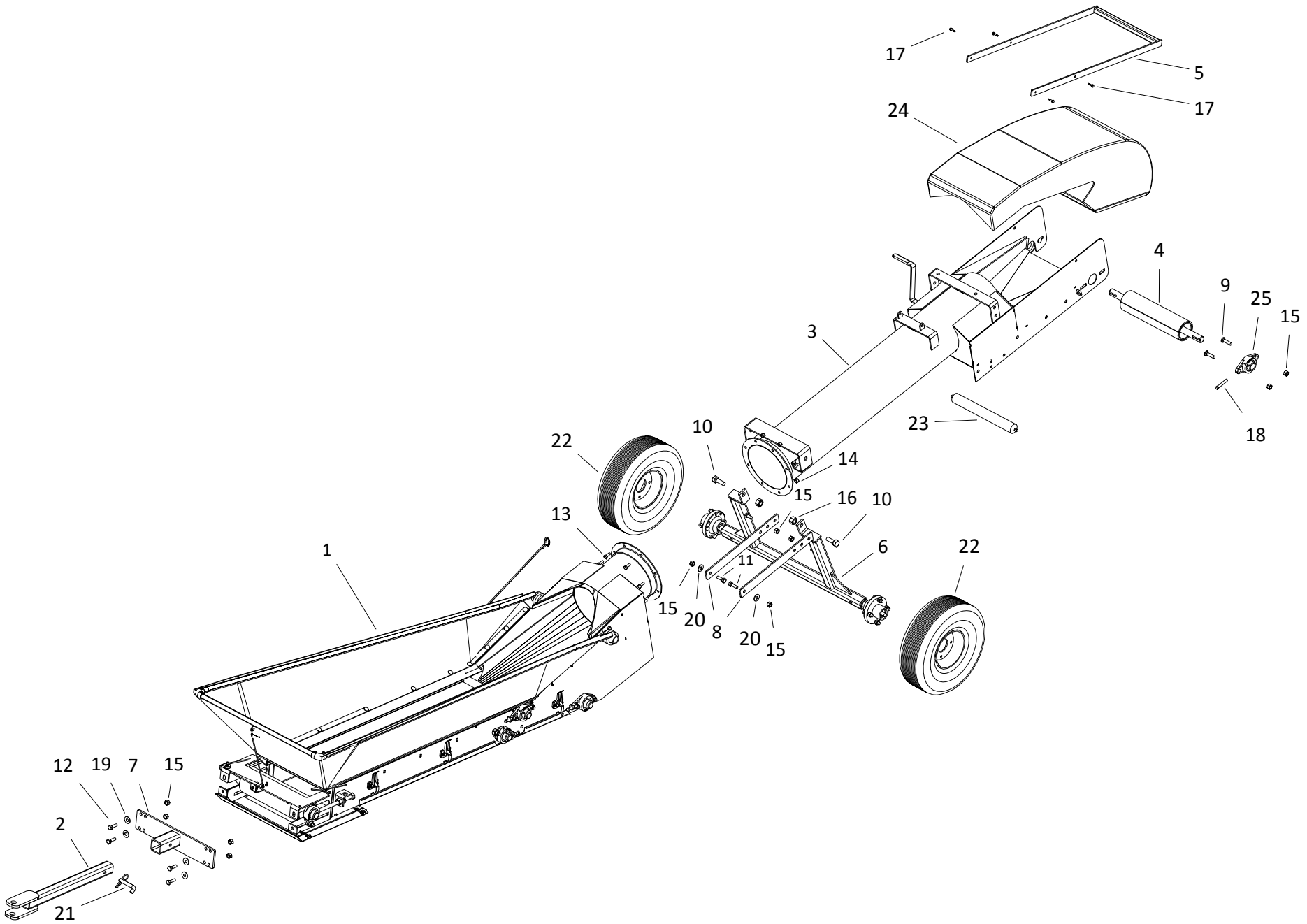
ITEM NO. 17, 18 & MOTOR NOT SUPPLIED WITH THE KIT, THEY ARE DEPENDENT ON ENGINE & SHAFT SIZE.



ELECTRIC DRIVE KIT (15000277)

ITEM	PART NO.	DESCRIPTION
1	1300035X	SHAFT GUARD FL-206 ASSY KIT
2	13041038	SHAFT GUARD(FL-206)
3	15060016	MOTOR RAIL
4	15060088	BUSHING RETAINER (PNT)
5	15060089	MOTOR BASE (PAINTED)
6	15060092	MOTOR SIDE GUARD MOUNT
7	15060093	HOOD SIDE GUARD MOUNT
8	P0118050	BOLT 3/8" X 2" GR8
9	P0115205	BOLT FLANGE 3/8 X 1" PLATED
10	P0113000	SPRING TENSION BOLT
11	P0134006	NUT NYLOCK 3/8"
12	P0134008	LOCKNUT-NYLON-1/2" GRADE 8
13	P0147001	CSC SHAFT COLLER 1"
14	P0151009	FLAT WASHER 3/8 USS PLATED
15	P0321106	BELT B106
16	P0328007	PULLEY -DBL-12"W/1-1/4"BORE
17	P0328018	PULLEY-DBL-BK-4"H
18	P0340320	HUB-H 1-1/4"
19	P0391003	KEY 1/4"x1-1/2"
20	P1210032	FL-206 SHAFT GUARD PLUG
21	P1211805	PIT GUARD (SLOTTED)
22	P1743017	IGUS BUSHING 1" ID X 1/2" WIDE
23	P0131019	NUT 3/4" PLATED GRADE 8 (10-19997)

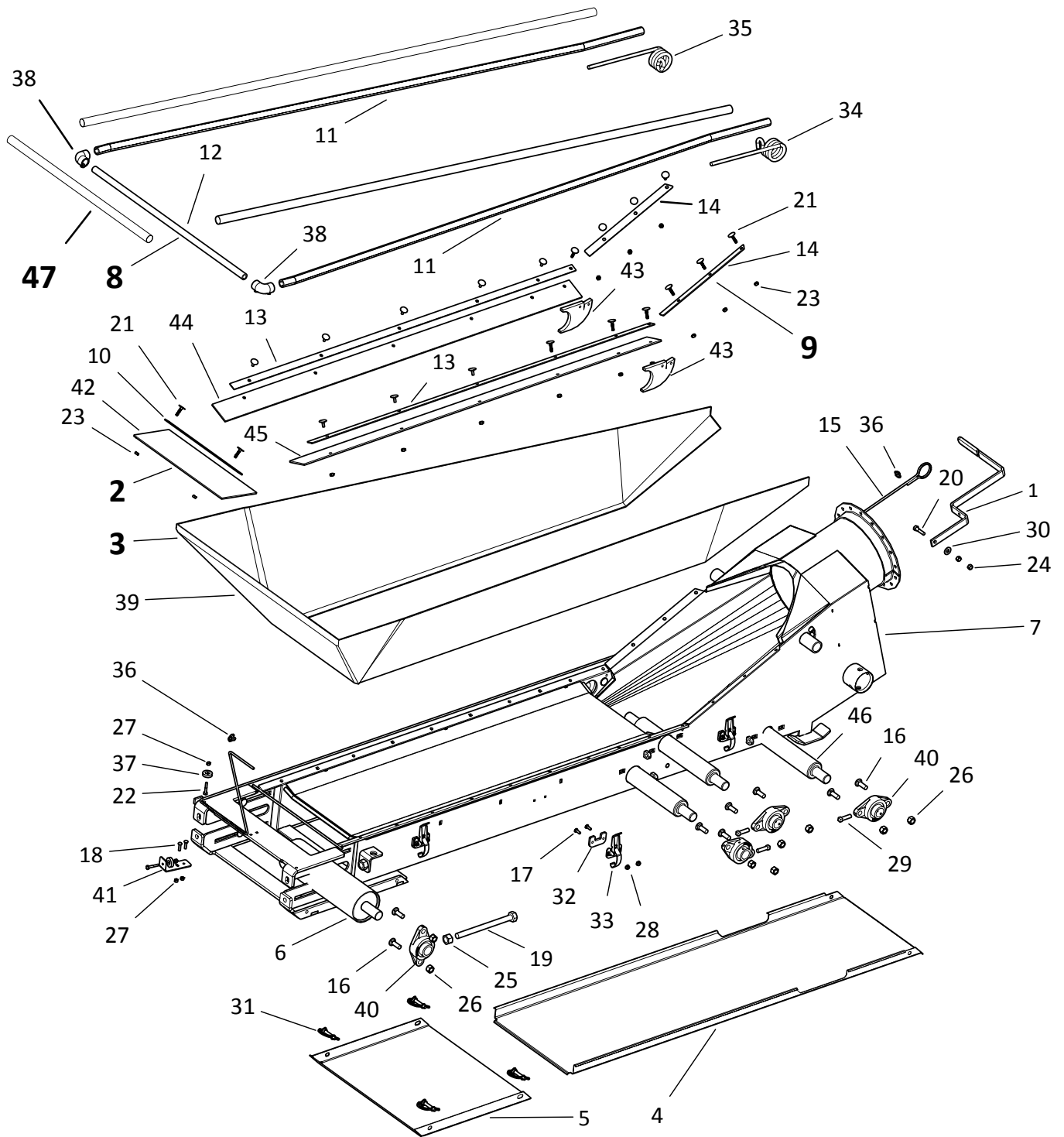
HGX² 1515 LOW PROFILE (15001536HM)



HCX² 1515 LOW PROFILE (15001536HM)

ITEM	PART NO.	DESCRIPTION	NOTES
1	15000323HM	HCX2 HOPPER TYPE TRANSFER	
2	13030001	STRAIGHT TONGUE	
3	15020216WC	TRANSFER SPOUT NEW 5' WESTFIELD	
4	15070013	SPOUT DRIVE ROLLER-1-1/4" LAGGED	
5	15100004WC	TRANSFER SPOUT HANDLE WESTFIELD	
6	15100005	TRANSFER FRAME (WITH 8 LUGS)	
7	15100011	TRANSFER HITCH	
8	15102002	WHEEL STRUT	
9	P0113001	CARRIAGE BOLT 1/2"X2" PLATED	
10	P0115111	BOLT 3/4" X 2" GR8 PLATED(10-19592)	
11	P0118013	BOLT 1/2" X 1-1/2" GR8 PLATED	
12	P0118016	BOLT 1/2" X 2" GR8 PLATED	
13	P0118076	BOLT 7/16" X 1" GR8 PLATED	
14	P0134007	LOCKNUT-NYLON-7/16" GRADE 8	
15	P0134008	LOCKNUT-NYLON-1/2" GRADE 8	
16	P0134029	LOCKNUT-NYLON-3/4" GRADE 8	
17	P0141002	TEK SCREW 1/4" X 1"	
18	P0145002	SQ HD SETSCREW 7/16" X 2 1/2	
19	P0151012	FLAT WASHER 7/16"PLATED USS	
20	P0151029	FLAT WASHER 1/2"PLATED USS	
21	P0162019	HITCH PIN 5/8" X 3" W/ HAIR PIN	
22	P0615304	TIRE ASM -570X8 LRC	
23	P1021006	ROLLER HEX 15-7/8"	
24	P1211503	HOOD-SQUARE 15 SERIES	
25	P1711002	FLANGE UNIT-1-1/4"-SAFL206-20	

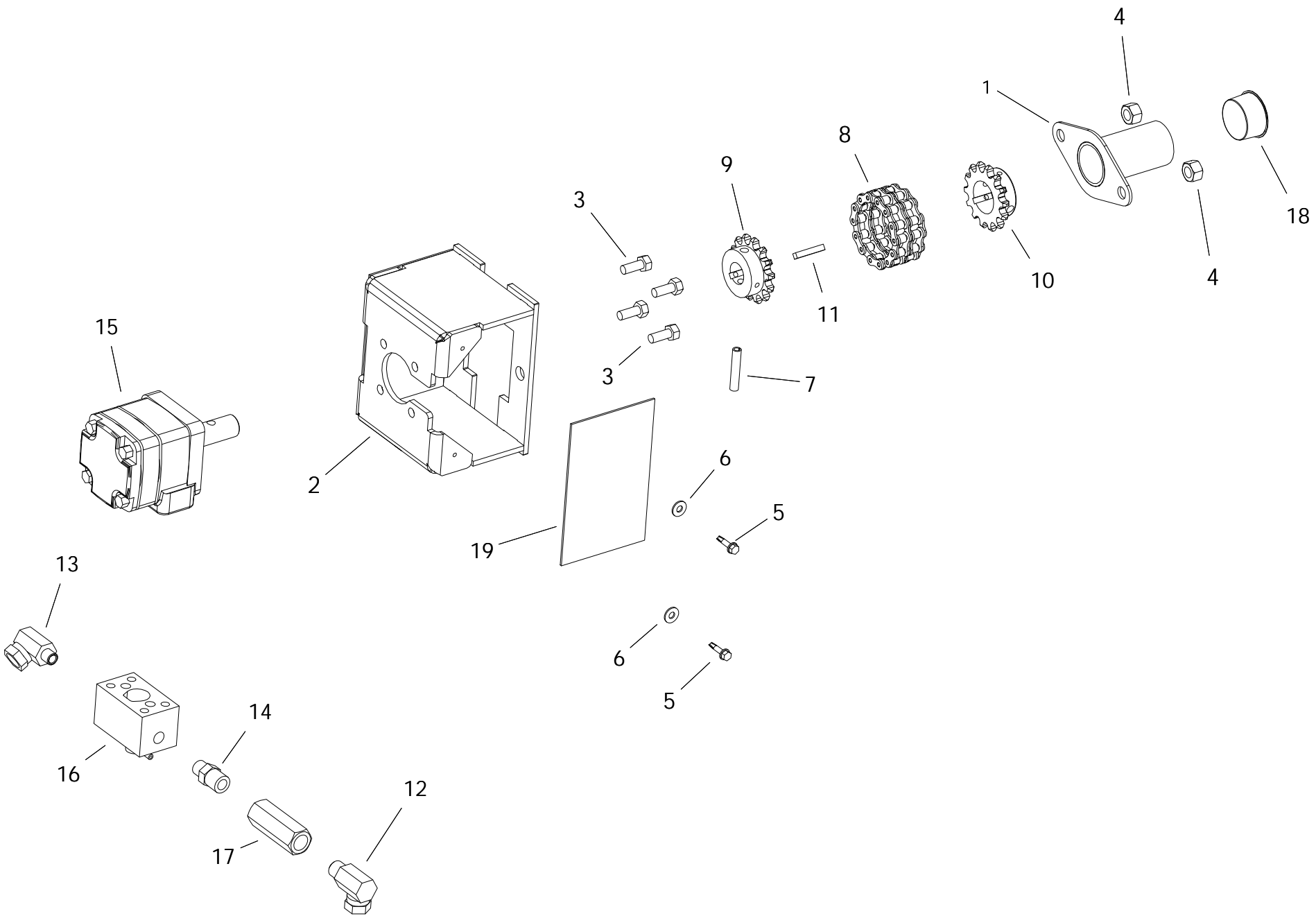
HOPPER (15000323HM)



HOPPER (15000323HM)

ITEM	PART NO.	DESCRIPTION
1	13100029	EXTENDED HOPPER HANDLE
2	15000292	FX-HOPPER -FLASHING ONLY FL
3	15000295HM	HGX2 HOPPER-COLLAPSABLE FL FMD
4	15042303	BCX2 FL UNDERSIDE COVER MAIN
5	15042304	BCX2 FL UNDERSIDE COVER FRONT
6	15070012	TAKE-UP ROLLER-1-1/4" LAGGED
7	15100016HM	HGX2 TRANSFER HOPPER
8	15100126	CX2 HOPPER CLOTH FRAME-UPPER KIT
9	15100127	CX2 HOPPER CLOTH FRAME-LOWER KIT
10	15102058	LOWER CLOTH FRAME TR FRONT
11	15102068	FX2 UPPER CLOTH FRAME SIDES
12	15102069	FX2 UPPER CLOTH FRAME FRONT
13	15102189	15FL LOWER CLOTH FRAME SIDE
14	15102199	CX2 LOWER CLOTH FRAME TRANS
15	15103231	CABLE 1/8" 7X19 GAC (18.25')
16	P0113004	CARRIAGE BOLT 1/2X1 1/2
17	P0113022	CARRIAGE BOLT 1/4" X 3/4"
18	P0113025	BOLT CARRIAGE 1/4"X1" PLATED F/T
19	P0114010	TAP BOLT 3/4 X 9 UNC GR.5 PLATED
20	P0115113	BOLT 3/8" X 1-1/2" GR8 PLATED
21	P0116001	ELEVATOR BOLT 1/4" X 1-1/4" PLATED
22	P0118026	BOLT 1/4" X 1-1/2" GR8 PLATED
23	P0131016	NUT 1/4" PLATED GRADE 8
24	P0131018	NUT 3/8" PLATED GRADE 8 (10-17754)
25	P0131019	NUT 3/4" PLATED GRADE 8 (10-19997)
26	P0134008	LOCKNUT-NYLON-1/2" GRADE 8
27	P0134023	LOCKNUT-NYLON-1/4" GR8
28	P0134104	LOCKNUT-TENSILOCK-1/4"GR5(10-19594)
29	P0145004	SET SCREW-7/16"X1-1/2"SQ.HD.PLATED
30	P0151009	FLAT WASHER 3/8 USS PLATED
31	P0163015	PIN 3/8" X 1-3/8" LOCKING
32	P0184040	SPACER, TENSION CLAMP
33	P0184041	CLAMP TENSION, LATCH071
34	P0521005	HOPPER SPRING-L-.437
35	P0521006	HOPPER SPRING-R-.437
36	P0712104	CABLE CLAMP-1/8" GALV.
37	P0713104	CABLE SHEAVE-1-1/4" W/BEARING
38	P0871013	ELBOW-RAIL FTNG FOR 1/2" SCH PIPE
39	P1621045	HGX2 CANVAS-15FL
40	P1711002	FLANGE UNIT-1-1/4"-SAFL206-20
41	P11159047	BOLT-ON CABLE SHEAVE BRACKET
42	P19159012	HOPPER FRONT FLASHING FL
43	P19159020	FX-HOPPER SIDE FLASHING
44	P19159021	FX-15FL HOPPER FLASHING LH
45	P19159022	FX-15FL HOPPER FLASHING RH
46	P20315003	FX-15FL TRANSITION ROLLER
47	15556802	SPLIT LOOM 15.875FT

HYDRAULIC DRIVE KIT FOR 1515LP (15000281)

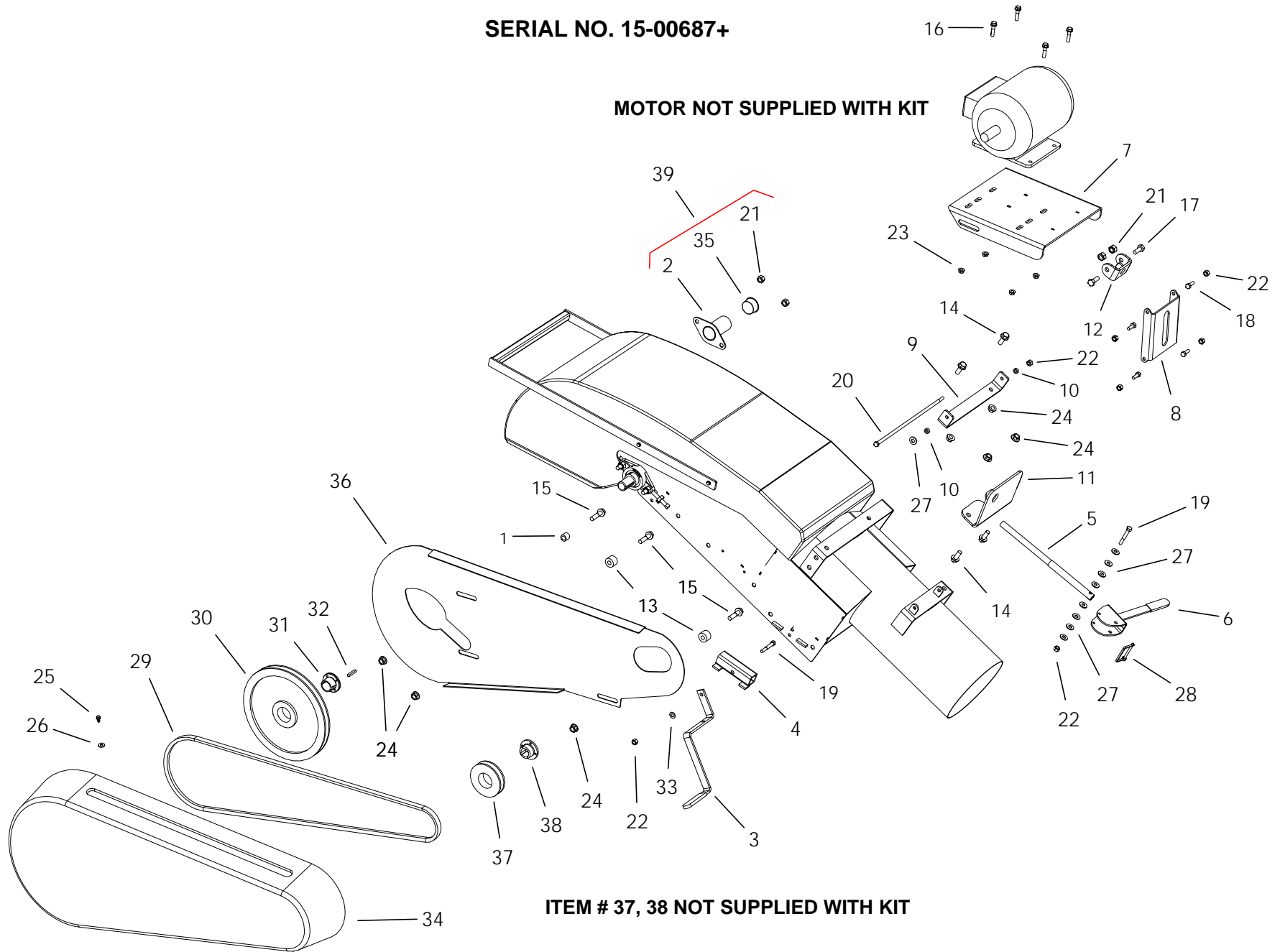


HYDRAULIC DRIVE KIT FOR 1515LP (15000281)

ITEM	PART NO.	DESCRIPTION
1	13041038	SHAFT GUARD(FL-206)
2	13060001	HYD MOTOR MOUNT 1314
3	P0115055	BOLT 3/8" X 3/4" GR5 PLATED
4	P0134008	LOCKNUT-NYLON-1/2" GRADE 8
5	P0141002	TEK SCREW 1/4" X 1"
6	P0151006	FLAT WASHER 1/4"PLATED USS
7	P0167002	SPRING PIN 3/8" X 2"
8	P0311001	CHAIN COUPLING 5014
9	P0335140	SPROCKET 5014 1.0(KEY0.25)
10	P0335141	SPROCKET 5014 W 1.25(KEY0.25)
11	P0391003	KEY 1/4"x1-1/2"
12	P0820001	SWIVEL-1/2"PT/90D
13	P0820008	SWIVEL-3/8"MPTX1/2"FPT/90D
14	P0821134	NIPPLE-1/2"MPT-3/8"MPT-HEX
15	P0841010	HYD MOTOR-6.3RS(5.9H)MAN HOLE
16	P0861004	VALVE-SPEED CONT.
17	P0861035	CHECK VALVE-1/2" (NO HOLE)
18	P1210032	FL-206 SHAFT GUARD PLUG
19	P1210100	1 1/4 HYD MTR GUARD 4.5 x 6.25

SERIAL NO. 15-00687+

MOTOR NOT SUPPLIED WITH KIT

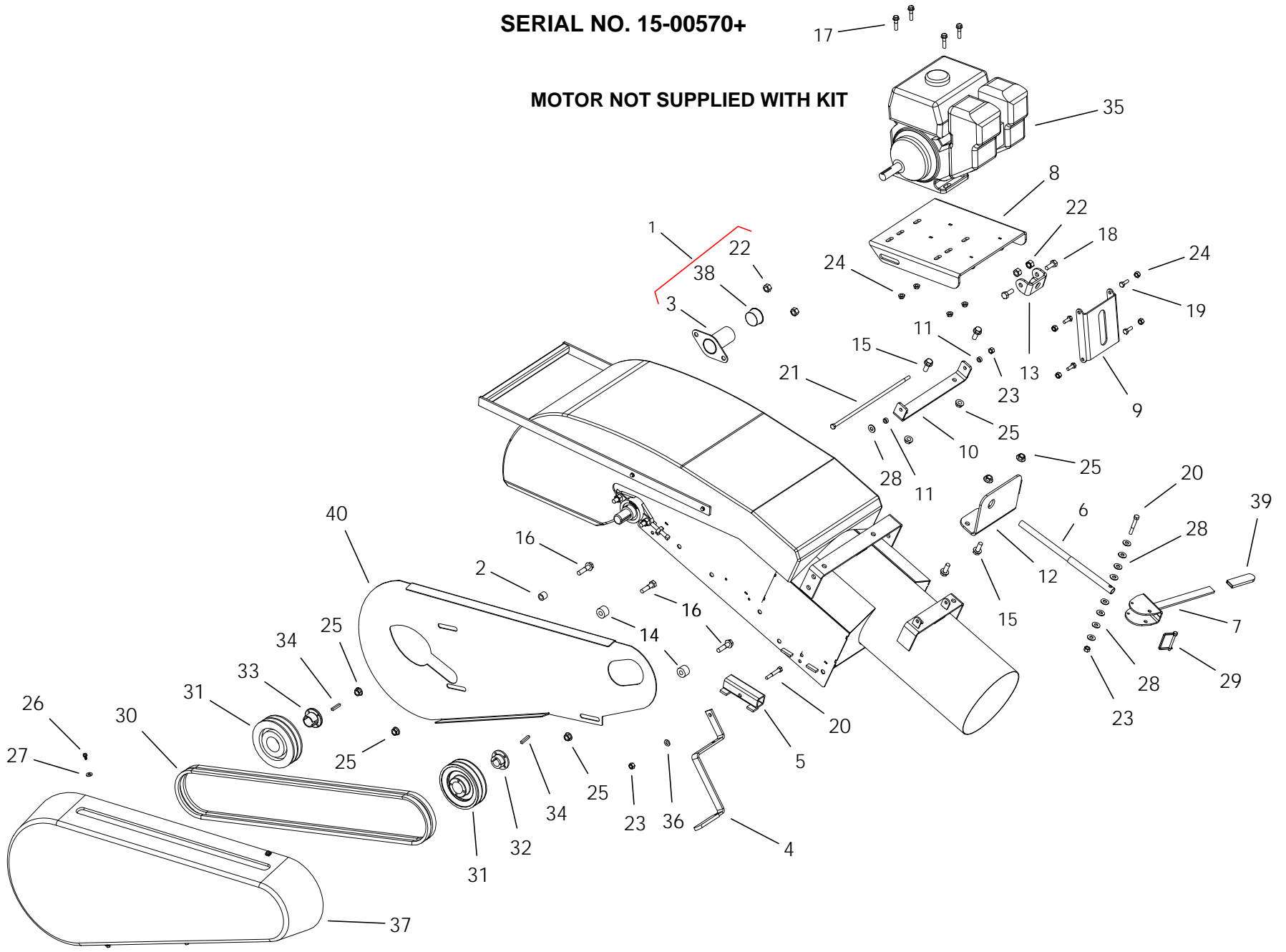


ELECTRIC DRIVE KIT FOR 1515LP (15000273)

ITEM	PART NO.	DESCRIPTION
1	13012185	PIPE-1/2" SCH80 (3/4")
2	13041038	SHAFT GUARD(FL-206)
3	13100008	HOPPER HANDLE
4	13100032	GAS MT HANDLE SPACER
5	13100070	PIVOT HANDLE SHAFT
6	13100072	PIVOT HANDLE EXT
7	15060110	MOTOR MOUNT WELD
8	15060111	MOUNT ANGLE PLATE PAINT
9	15060113	ANGLE BRACKET PAINT
10	15060133	SLIDE BUSHING
11	15060136	MOUNT ANGLE WELD
12	15060137	NUT PIVOT
13	15062407	IDLER SPACER
14	P0115200	FLANGE BOLT 1/2 X 1-1/4" PLATED
15	P0115201	FLANGE BOLT 1/2 X 2" PLATED F/T
16	P0115206	FLANGE BOLT 3/8 X 1-1/2" PLATED
17	P0118020	BOLT 1/2" X 1-1/4" GR8 PLATED
18	P0118046	BOLT 3/8" X 1" GR8 PL (10-18955)
19	P0118051	BOLT 3/8" X 2-1/2" GR8 PLATED
20	P0118111	HEX BOLT 3/8" X 15" GR8 PLATED
21	P0134008	LOCKNUT-NYLON-1/2" GRADE 8
22	P0134026	LOCKNUT-NYLON-3/8" GR 8 (10-17402)
23	P0134106	LOCKNUT-TENSILOCK-3/8"
24	P0134108	LOCKNUT-TENSILOCK-1/2"
25	P0141002	TEK SCREW 1/4" X 1"
26	P0151006	FLAT WASHER 1/4" PLATED USS
27	P0151009	FLAT WASHER 3/8 USS PLATED
28	P0163010	QUICK PIN 1/4X2-1/2
29	P0321087	BELT B87
30	P0328044	PULLEY-SNGL-BK-12"H
31	P0340320	HUB-H 1-1/4"
32	P0391003	KEY 1/4"x1-1/2"
33	P1210010	WASHER NYLON 3/8 USS
34	P1210021	PULLEY GUARD -46.5"L -7" TO 16"
35	P1210032	FL-206 SHAFT GUARD PLUG
36	P11150773	GUARD BACK PLATE PAINTED
37	P0328055	PULLEY-SNGL-BK-4"H
38	P0340318	HUB-H 1-1/8"
39	1300035X	SHAFT GUARD FL-206 ASSY KIT

SERIAL NO. 15-00570+

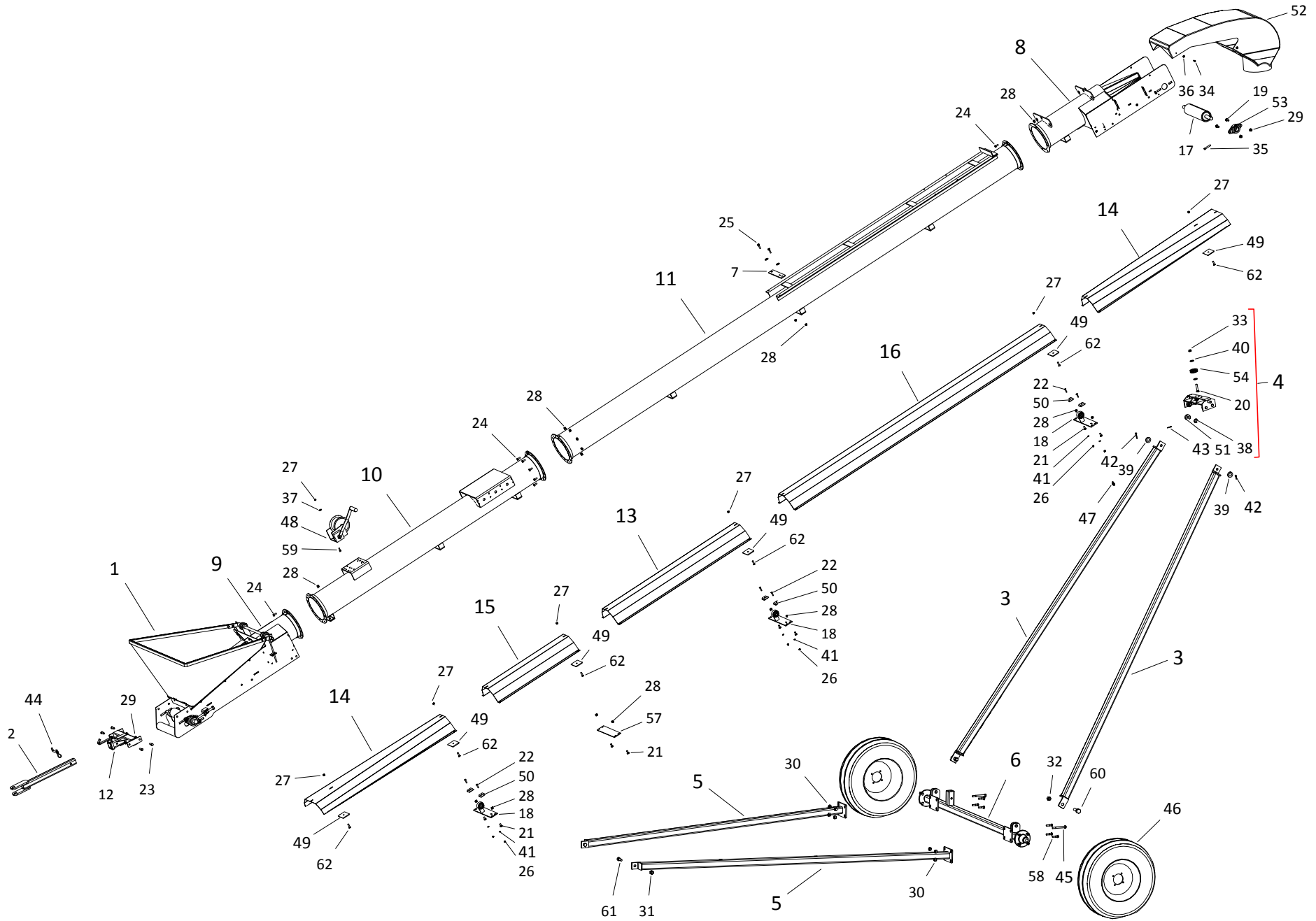
MOTOR NOT SUPPLIED WITH KIT



GAS DRIVE KIT FOR 1515LP (15000895)

ITEM	PART NO.	DESCRIPTION
1	1300035X	SHAFT GUARD FL-206 ASSY KIT
2	13012185	PIPE-1/2" SCH80 (3/4")
3	13041038	SHAFT GUARD(FL-206)
4	13100008	HOPPER HANDLE
5	13100032	GAS MT HANDLE SPACER
6	13100070	PIVOT HANDLE SHAFT
7	13100072	PIVOT HANDLE EXT
8	15060110	MOTOR MOUNT WELD
9	15060111	MOUNT ANGLE PLATE PAINT
10	15060113	ANGLE BRACKET PAINT
11	15060133	SLIDE BUSHING
12	15060136	MOUNT ANGLE WELD
13	15060137	NUT PIVOT
14	15062407	IDLER SPACER
15	P0115200	FLANGE BOLT 1/2 X 1-1/4" PLATED
16	P0115201	FLANGE BOLT 1/2 X 2" PLATED F/T
17	P0115206	FLANGE BOLT 3/8 X 1-1/2" PLATED
18	P0118020	BOLT 1/2" X 1-1/4" GR8 PLATED
19	P0118046	BOLT 3/8" X 1" GR8 PL (10-18955)
20	P0118051	BOLT 3/8" X 2-1/2" GR8 PLATED
21	P0118111	HEX BOLT 3/8" X 15" GR8 PLATED
22	P0134008	LOCKNUT-NYLON-1/2" GRADE 8
23	P0134026	LOCKNUT-NYLON-3/8" GR 8 (10-17402)
24	P0134106	LOCKNUT-TENSILOCK-3/8"
25	P0134108	LOCKNUT-TENSILOCK-1/2"
26	P0141002	TEK SCREW 1/4" X 1"
27	P0151006	FLAT WASHER 1/4"PLATED USS
28	P0151009	FLAT WASHER 3/8 USS PLATED
29	P0163010	QUICK PIN 1/4X2-1/2
30	P0321085	BELT B85
31	P0328023	PULLEY-DBL-BK-6"H
32	P0340316	HUB-H 1"
33	P0340320	HUB-H 1-1/4"
34	P0391003	KEY 1/4"x1-1/2"
35	P1031033	HONDA 9 H.P.
36	P1210010	WASHER NYLON 3/8 USS
37	P1210021	PULLEY GUARD -46.5"L -7" TO 16"
38	P1210032	FL-206 SHAFT GUARD PLUG
39	P1211303	RUBBER HANDLE 1/4X1
40	P11150773	GUARD BACK PLATE PAINTED

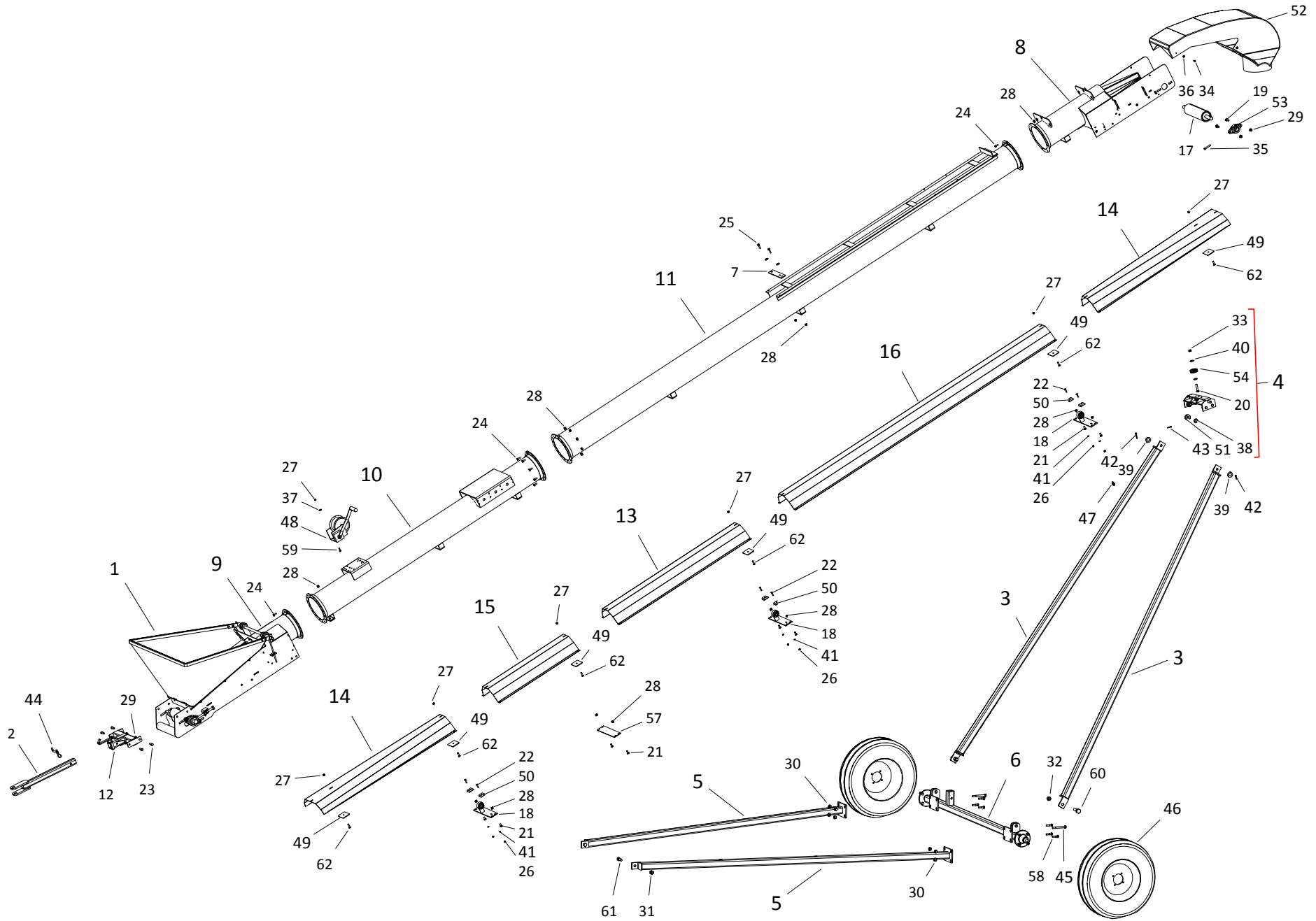
HCX 1535 TD (15503504HM)



HCX 1535 TD (15503504HM)

ITEM	PART NO.	DESCRIPTION	NOTES
1	1555588XHM	HOPPER -COLLAPSABLE HUTCH	
2	13030001WC	STRAIGHT TONGUE - WESTFIELD	
3	13030024WC	1335-40-45 TD UPRIGHT ARMS- WESTFID	
4	13030042WC	13/15 SLIDER WESTFIELD	
5	13030102WC	AXLE ARM 30/35TD/45-2-1/2"-WF	
6	13030115WC	AXLE 30-45-2-1/2" (WITH 8 LUGS)-WF	
7	13032094WC	35/45 SMALL CABLE ATTACH- WF	
8	15020147HM	30" SPOUT SECTION TDFL/TD HUTCH	
9	15020148HM	BT HOPPER SECTION 18" HUTCH	
10	15020155HM	35TD BOTTOM 102" W/ BRKT HUTCH	
11	15020156HM	35TD SPOUT SECTION 210" W/RTRN	
12	15030005WC	BELT TIGHTNER HITCH WESTFIELD	
13	15042122WC	WF WEATHER GUARD 5' - 61-1/2"	
14	15042123WC	WF WEATHER GUARD 5' FLR - 61-1/2"	
15	15042125WC	WF WEATHER GUARD 3' STD - 37-1/2"	
16	15042127WC	WF WEATHER GUARD 10' - 121-1/2"	
17	15070013	SPOUT DRIVE ROLLER-1-1/4" LAGGED	
18	150100811WC	WEATHER GUARD MOUNT BAR KIT-POLY-WF	
19	P0113001	CARRIAGE BOLT 1/2"X2" PLATED	
20	P0113009	CARRIAGE BOLT 1/2 X 2-3/4	
21	P0113013	CARRIAGE BOLT 7/16"X1" PLATED	
22	P0113020	CARRIAGE BOLT 5/16"X1-1/2"PLATED	
23	P0118013	BOLT 1/2" X 1-1/2" GR8 PLATED	
24	P0118076	BOLT 7/16" X 1" GR8 PLATED	
25	P0118077	BOLT 7/16" X 1-1/2" GR8 PLATED	
26	P0131017	NUT 5/16" PLATED GRADE 8	
27	P0134026	LOCKNUT-NYLON-3/8" GR 8 (10-17402)	
28	P0134007	LOCKNUT-NYLON-7/16" GRADE 8	
29	P0134008	LOCKNUT-NYLON-1/2" GRADE 8	
30	P01340101	LOCKNUT-NYLON-5/8" GRADE 8	
31	P01340101	LOCKNUT-NYLON-5/8" GRADE 8	
32	P0134030	LOCKNUT-NYLON-1" GRADE 8	
33	P0134108	LOCKNUT-TENSILOCK-1/2"	
34	P0141002	TEK SCREW 1/4" X 1"	
35	P0145002	SQ HD SETSCREW 7/16" X 2 1/2	
36	P0151006	FLAT WASHER 1/4"PLATED USS	
37	P0151009	FLAT WASHER 3/8 USS PLATED	
38	P0151026	FLAT WASHER 3/4" SAE	
39	P0151015	FLAT WASHER 3/4"PLATED USS	
40	P0151029	FLAT WASHER 1/2"PLATED USS	
41	P0152010	LOCK WASHER 5/16" PLATED	
42	P0161001	COTTER PIN 1/4" X 2"	
43	P0161003	COTTER PIN 3/16"X1-1/2"PLATED	
44	P0162019	HITCH PIN 5/8" X 3" W/ HAIR PIN	
45	P0118074	BOLT 5/8" X 5" GR8 PLATED	
46	P0614301	TIRE ASM -4BLT ST205/75D15 LRB	
47	P0712105	CABLE CLAMP-5/16" GALV.	
48	P0714102	WINCH-1500# BRAKE	
49	P1010001	UNI-MOUNT PLATE CAST	
50	P1210030	BELT GUIDE BLOCK	

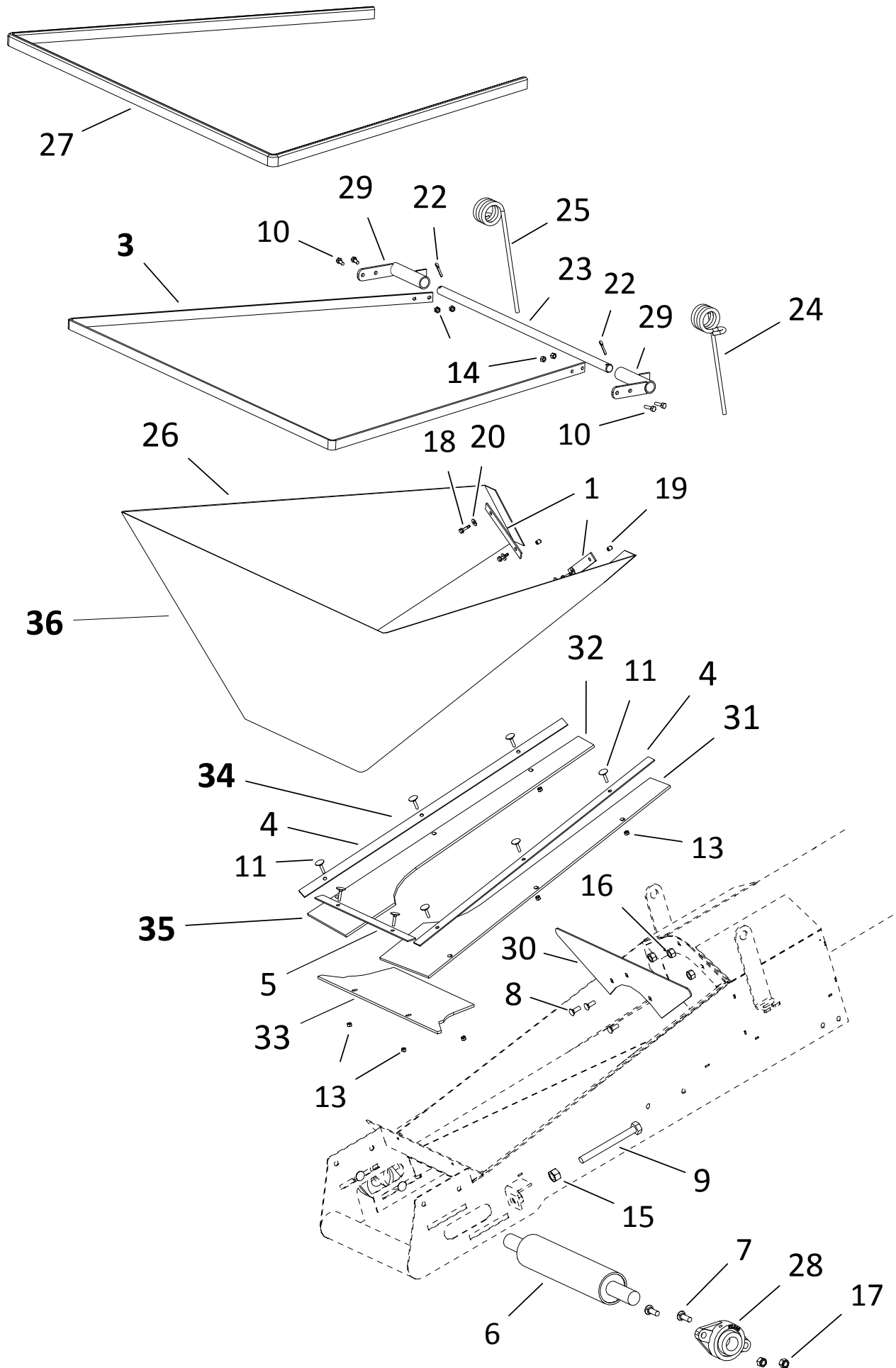
HCX 1535 TD (15503504HM)



HCX 1535 TD (15503504HM)

ITEM	PART NO.	DESCRIPTION	NOTES
51	P1211305	ROLLER 2" NYLON	
52	P1211501	HOOD-ROUND 15 SERIES	
53	P1711002	FLANGE UNIT-1-1/4"-SAFL206-20	
54	P0713105	CABLE SHEAVE-3"	
57	P11150181	WG CROSS BAR (NO ROLLER)	
58	P0118071	BOLT 5/8" X 2" GR8 PLATED	
59	P0118046	BOLT 3/8" X 1" GR8 PL (10-18955)	
60	P0118004	BOLT 1" X 3" GR8 PLATED	
61	P0118071	BOLT 5/8" X 2" GR8 PLATED	
62	P0115303	CAPSCREW 3/8X1-1/4FLT HD SOCKET PTD	

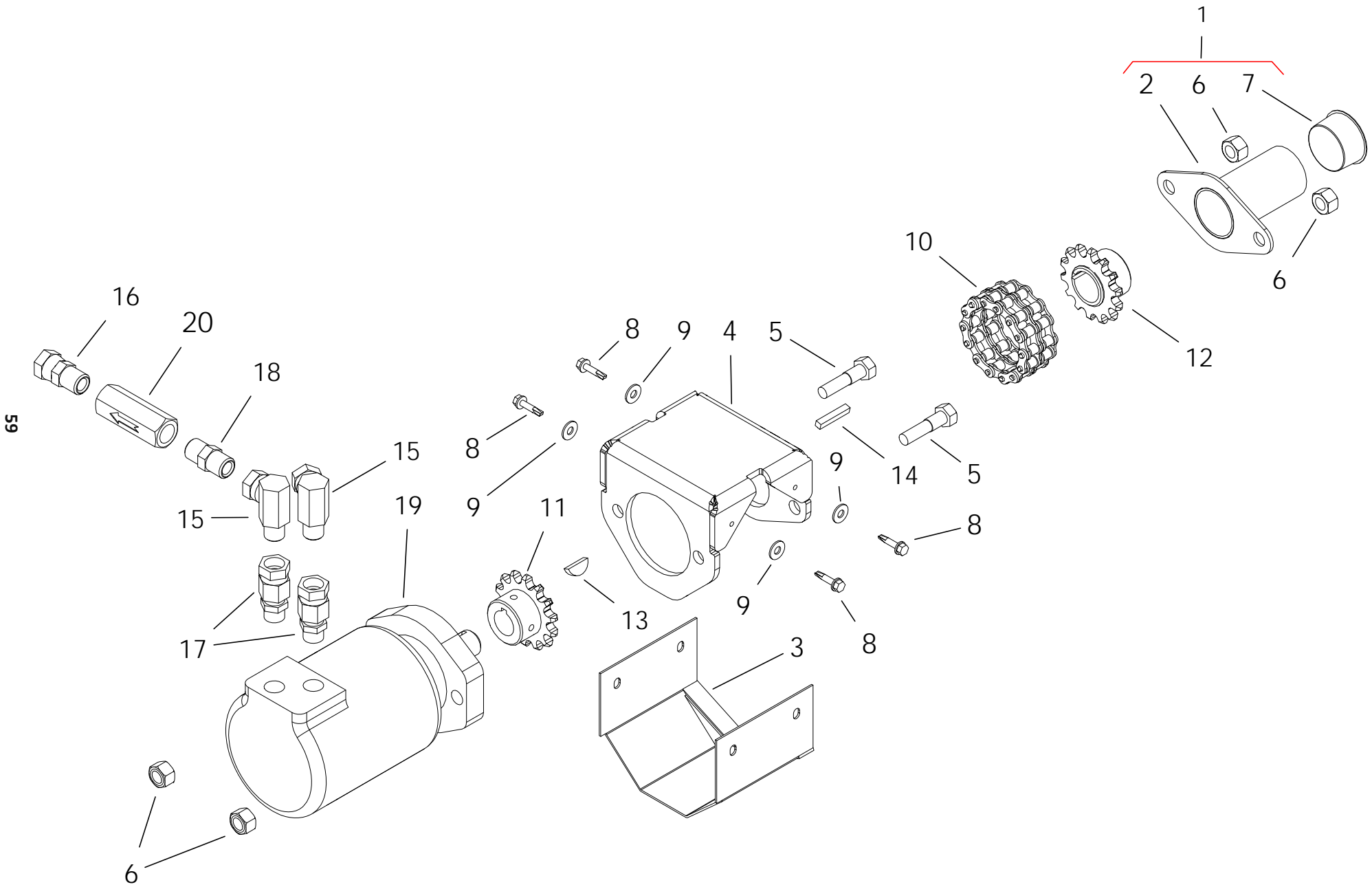
HOPPER (1555588XHM)



HOPPER (1555588XHM)

ITEM	PART NO.	DESCRIPTION
1	13052001	LOWER CLOTH FRAME STD BACK OLD/20S
3	15052004	UPPER CLOTH FRAME STD (3PC)
4	15052101	LOWER CLOTH FRAME STD SIDE
5	15052102	LOWER CLOTH FRAME STD FRONT
6	15070009	HOPPER/SPOUT ROLLER LAGGED
7	P0113004	CARRIAGE BOLT 1/2X1 1/2
8	P0113015	CARRIAGE BOLT 3/8" X 1" PLATED
9	P0114007	TAP BOLT 3/4 X 7 PLATED
10	P0115061	BOLT 5/16" X 1"
11	P0116001	ELEVATOR BOLT 1/4" X 1-1/4" PLATED
13	P0131004	NUT 1/4" PLATED
14	P0131005	NUT 5/16" PLATED
15	P0131112	NUT 3/4" PLATED
16	P0134006	NUT NYLOCK 3/8"
17	P0134008	LOCKNUT-NYLON-1/2" GRADE 8
18	P0141002	TEK SCREW 1/4" X 1"
19	P0145001	SCREW CAP
20	P0151006	FLAT WASHER 1/4"PLATED USS
22	P0161003	COTTER PIN 3/16"X1-1/2"PLATED
23	P0162007	HOPPER PIVOT SHAFT-13/15
24	P0521001	HOPPER SPRING-L
25	P0521002	HOPPER SPRING-R
26	P1621038	CANVAS-15 CONV W HUTCH LOGO
27	P1641015	TRIM LOCK 10FT
28	P1711001	BEARING FLANGE UNIT-FL208
29	P2515017	PIVOT SHAFT BRACKET
30	P11150047	HOPPER SHIELD
31	P19159000	HOPPER LEFT FLASHING STD
32	P19159001	HOPPER RIGHT FLASHING STD
33	P19159002	HOPPER FRONT FLASHING STD
34	15000314	HOPPER -LINER KIT STD
35	1555590X	HOPPER -FLASHING ONLY STD
36	15000304HM	HOPPER -COLLAPSABLE STD - HUTCH

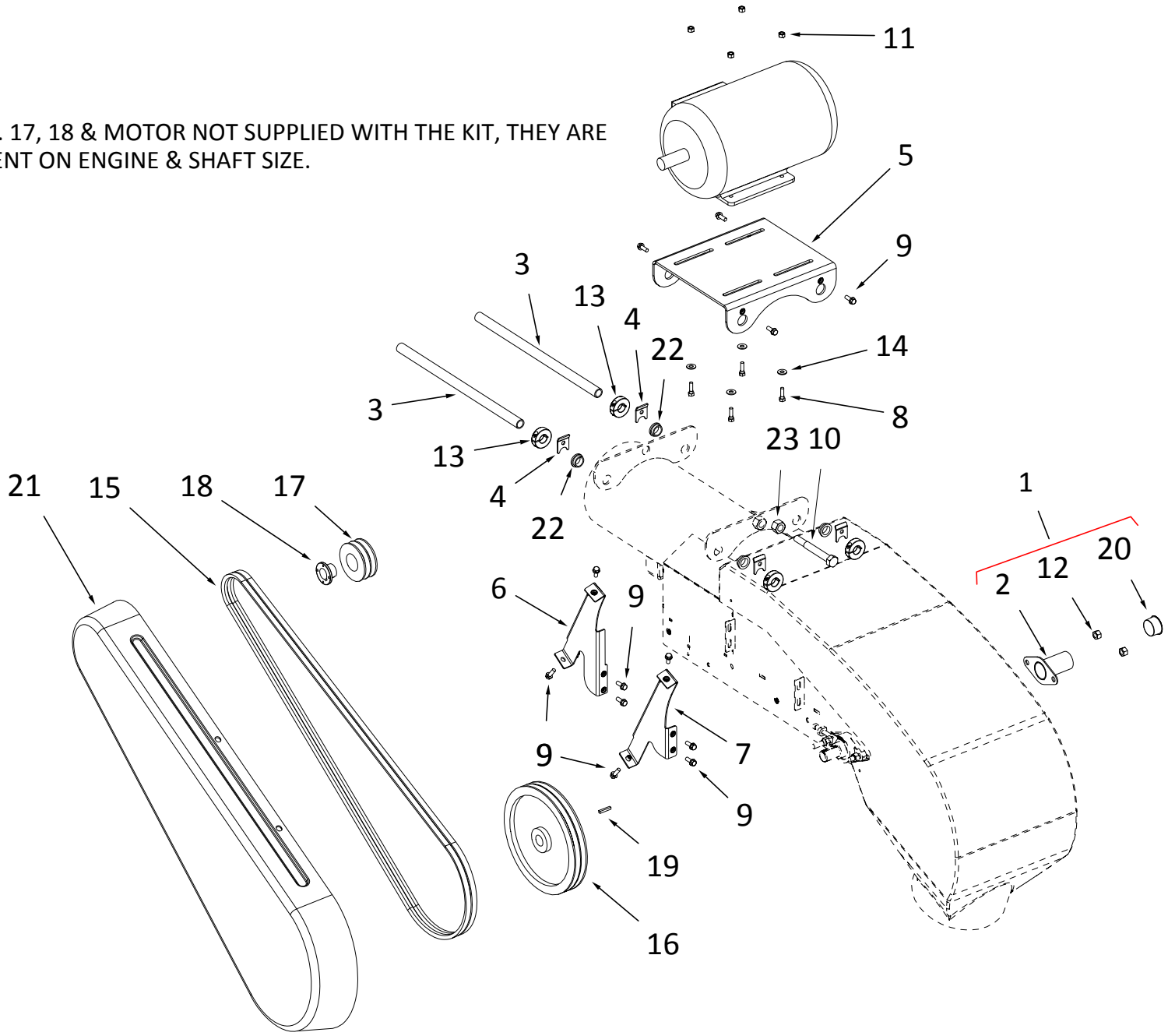
HYDRAULIC DRIVE KIT (15000285)



HYDRAULIC DRIVE KIT (15000285)

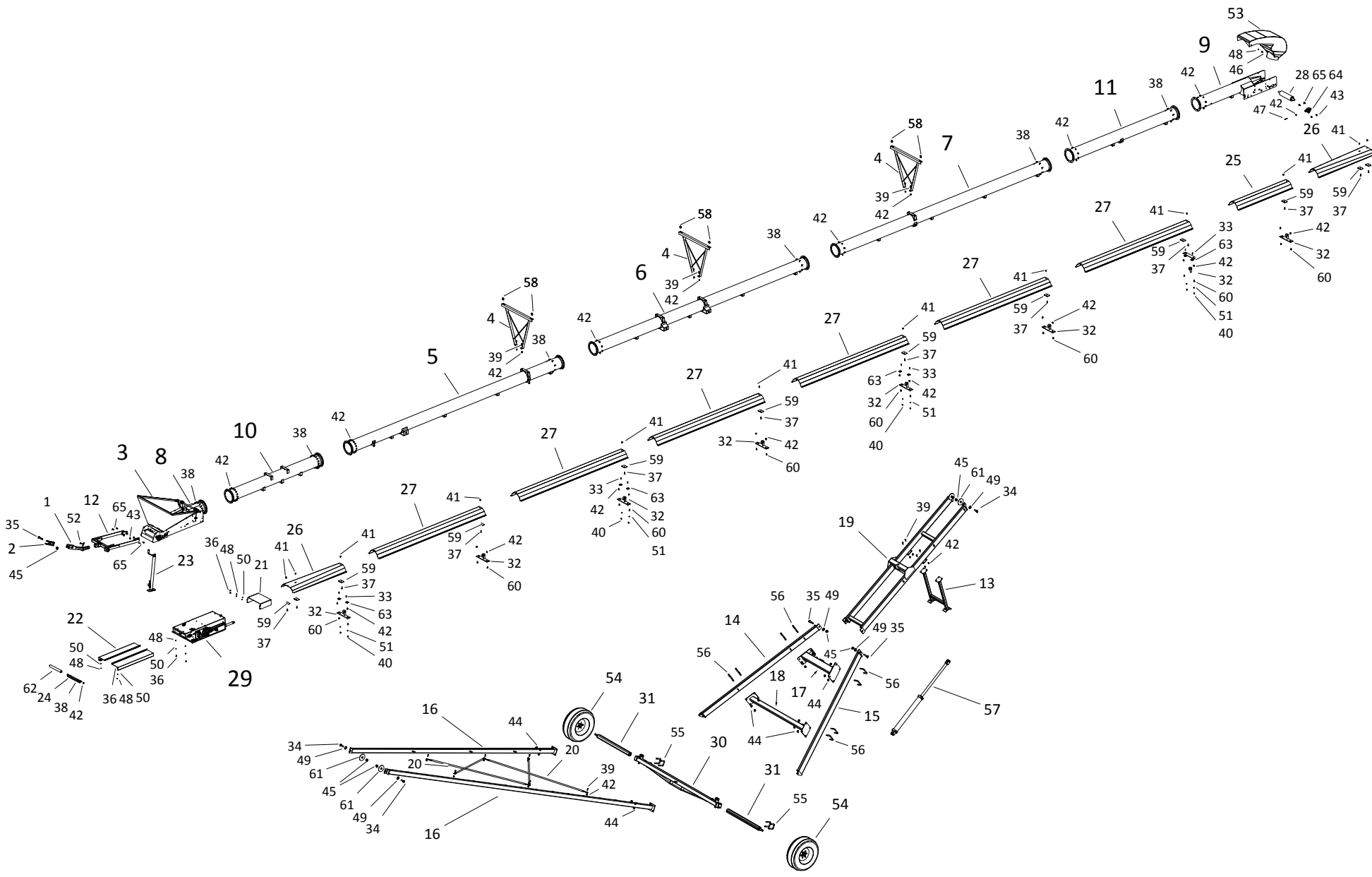
ITEM	PART NO.	DESCRIPTION
1	1300035X	SHAFT GUARD FL-206 ASSY KIT
2	13041038	SHAFT GUARD(FL-206)
3	15041040	HYD COUPLER GUARD
4	15062408	HYD MOTOR MOUNT
5	P0118016	BOLT 1/2" X 2" GR8 PLATED
6	P0134008	LOCKNUT-NYLON-1/2" GRADE 8
7	P1210032	FL-206 SHAFT GUARD PLUG
8	P0141002	TEK SCREW 1/4" X 1"
9	P0151006	FLAT WASHER 1/4"PLATED USS
10	P0311001	CHAIN COUPLING 5014
11	P0335140	SPROCKET 5014 1.0(KEY0.25)
12	P0335141	SPROCKET 5014 W 1.25(KEY0.25)
13	P0391001	WOODRUFF (#808) 1/4 X 1
14	P0391003	KEY 1/4"x1-1/2"
15	P0820001	SWIVEL-1/2"PT/90D
16	P0821112	SWIVEL-1/2"MPTX1/2"FPT
17	P0821114	SWIVEL-10MORBX1/2"FPT
18	P0821133	HEX NIPPLE-1/2" (S1022-D)
19	P0841019	HYD MOTOR-6.2-2000-1"
20	P0861035	CHECK VALVE-1/2" (NO HOLE)

ITEM NO. 17, 18 & MOTOR NOT SUPPLIED WITH THE KIT, THEY ARE DEPENDENT ON ENGINE & SHAFT SIZE.



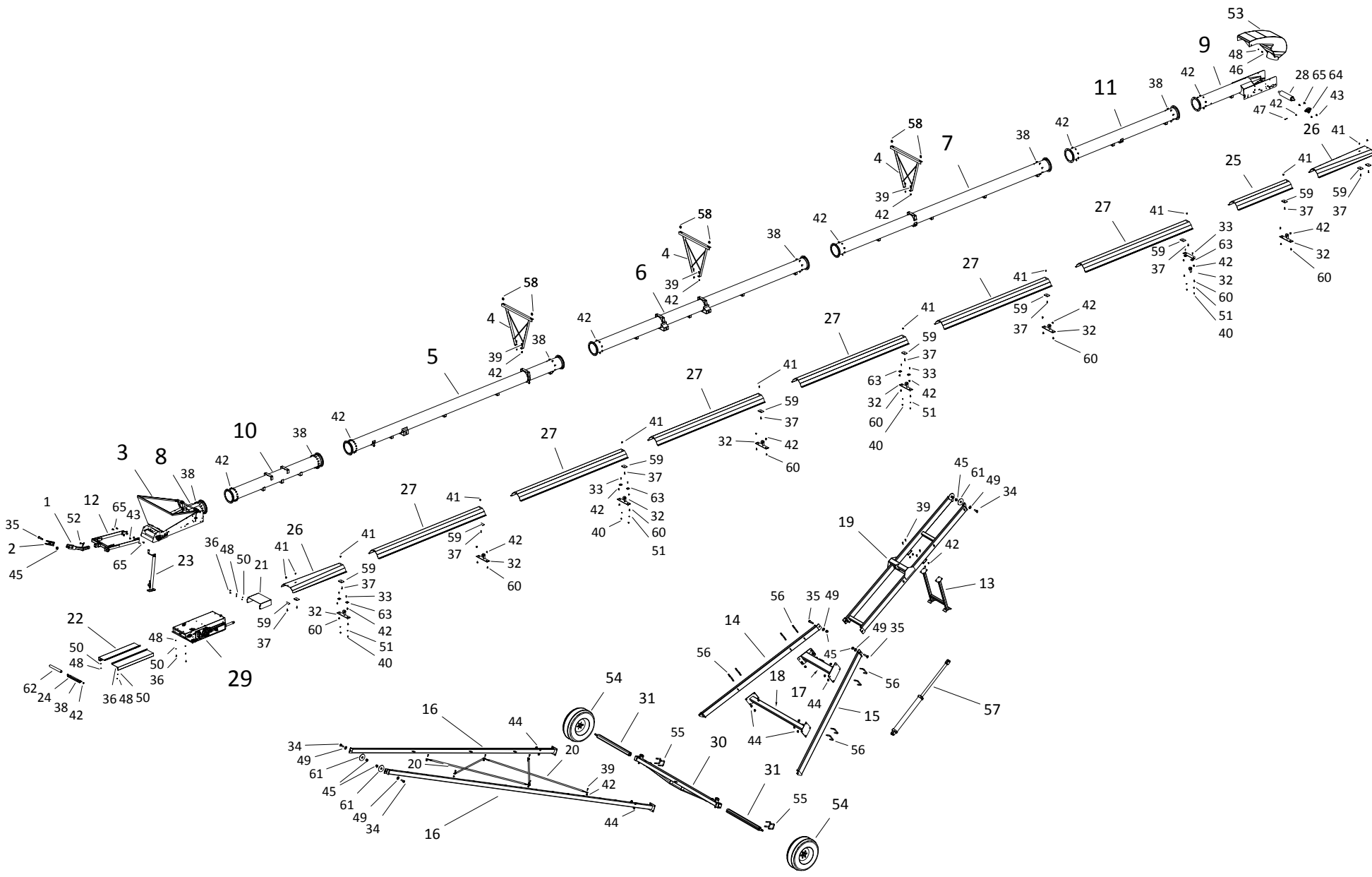
ELECTRIC DRIVE KIT (15000277)

ITEM	PART NO.	DESCRIPTION
1	1300035X	SHAFT GUARD FL-206 ASSY KIT
2	13041038	SHAFT GUARD(FL-206)
3	15060016	MOTOR RAIL
4	15060088	BUSHING RETAINER (PNT)
5	15060089	MOTOR BASE (PAINTED)
6	15060092	MOTOR SIDE GUARD MOUNT
7	15060093	HOOD SIDE GUARD MOUNT
8	P0118050	BOLT 3/8" X 2" GR8
9	P0115205	BOLT FLANGE 3/8 X 1" PLATED
10	P0113000	SPRING TENSION BOLT
11	P0134006	NUT NYLOCK 3/8"
12	P0134008	LOCKNUT-NYLON-1/2" GRADE 8
13	P0147001	CSC SHAFT COLLER 1"
14	P0151009	FLAT WASHER 3/8 USS PLATED
15	P0321106	BELT B106
16	P0328007	PULLEY -DBL-12"W/1-1/4"BORE
17	P0328018	PULLEY-DBL-BK-4"H
18	P0340320	HUB-H 1-1/4"
19	P0391003	KEY 1/4"x1-1/2"
20	P1210032	FL-206 SHAFT GUARD PLUG
21	P1211805	PIT GUARD (SLOTTED)
22	P1743017	IGUS BUSHING 1" ID X 1/2" WIDE
23	P0131019	NUT 3/4" PLATED GRADE 8 (10-19997)



HCX 1590 SD (15509011HM)

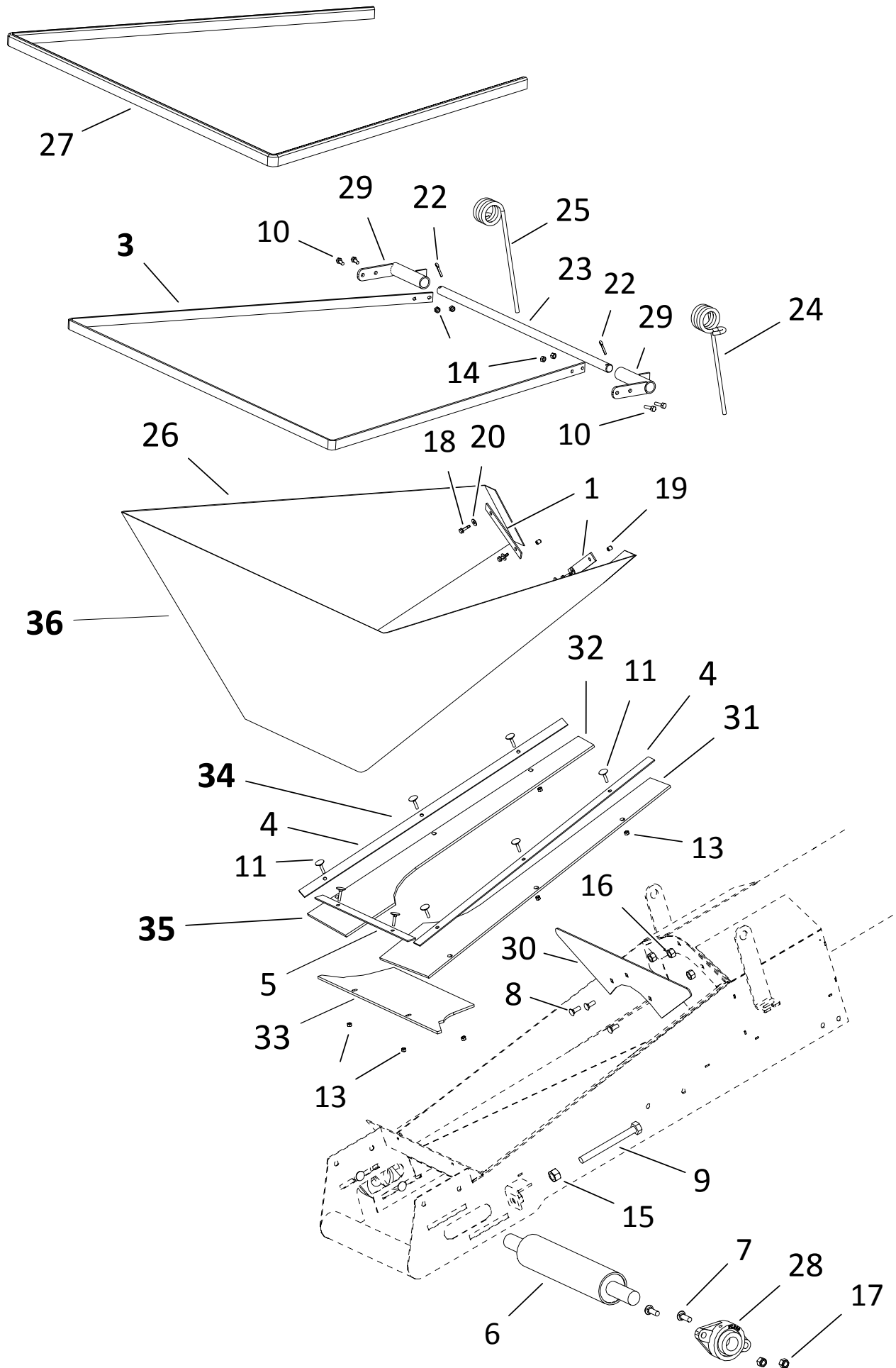
ITEM	PART NO.	DESCRIPTION	NOTES
1	13030016WC	TONGUE- WESTFIELD	
2	13030017WC	CLEVIS- WESTFIELD	
3	1555588XHM	HOPPER -COLLAPSABLE HUTCH	
4	15010103WC	HIGH CABLE BRIDGE - WF	
5	15020051HM	BOTTOM TUBE WITH ANCHORS - HM	
6	15020052HM	SUSPENSION BRACKET TUBE - HM	
7	15020053HM	UPPER CENTER 20' MID TRUSS - HM	
8	15020148HM	BT HOPPER SECTION 18" HUTCH	
9	15020149HM	SPOUT SECTION 60" HUTCH	
10	15020152HM	BOTTOM TUBE 10" WITH SD HUTCH	
11	15020153HM	TOP 10' TUBE -90 HUTCH	
12	15030015WC	15 SERIES HITCH- WESTFIELD	
13	15031038WC	85 TRANSPORT BRACE- WESTFIELD	
14	15031039WC	85 LIFT ARM LEFT- WESTFIELD	
15	15031040WC	85 LIFT ARM RIGHT- WESTFIELD	
16	15031041WC	85 AXLE ARM- WESTFIELD	
17	15031043WC	85 UPPER LIFT ARM BRACE- WESTFIELD	
18	15031044WC	LOWER LIFT ARM BRACE 85- WESTFIELD	
19	15031045WC	LADDER 85- WESTFIELD	
20	15032030WC	CROSS BRACE- WESTFIELD	
21	15040041	PINCH DRIVE FRONT GUARD RED	
22	15042041	SD-HOPPER BELT GUARD PT RED	
23	P1012002	JACK-3000LB,20"-MOUNT AT 3"	
24	15042094WC	HOPPER GUARD BRACKET- WESTFIELD	
25	15042122WC	WF WEATHER GUARD 5' - 61-1/2"	
26	15042123WC	WF WEATHER GUARD 5' FLR - 61-1/2"	
27	15042127WC	WF WEATHER GUARD 10' - 121-1/2"	
28	15070009	HOPPER/SPOUT ROLLER LAGGED	
29	15590020HM	S-DRIVE ASM W/PINCH HUTCH	
30	20030109WC	AXLE EXTENDABLE 85- WESTFIELD	
31	20030500WC	AXLE EXTENSION (WITH 6 LUGS) - WF	
32	150100811WC	WEATHER GUARD MOUNT BAR KIT-POLY-WF	
33	P0113020	CARRIAGE BOLT 5/16"X1-1/2"PLATED	
34	P0118004	BOLT 1" X 3" GR8 PLATED	
35	P0118007	BOLT 1" X 4-1/2" GR8 PLATED	
36	P0118033	BOLT 1/4" X 3/4" GR8 PLATED	
37	P0115303	CAPSCREW 3/8X1-1/4FLT HD SOCKET PTD	
38	P0118076	BOLT 7/16" X 1" GR8 PLATED	
39	P0118077	BOLT 7/16" X 1-1/2" GR8 PLATED	
40	P0131017	NUT 5/16" PLATED GRADE 8	
41	P0134026	LOCKNUT-NYLON-3/8" GR 8 (10-17402)	
42	P0134007	LOCKNUT-NYLON-7/16" GRADE 8	
43	P0134008	LOCKNUT-NYLON-1/2" GRADE 8	
44	P0134029	LOCKNUT-NYLON-3/4" GRADE 8	
45	P0134030	LOCKNUT-NYLON-1" GRADE 8	
46	P0141002	TEK SCREW 1/4" X 1"	
47	P0145002	SQ HD SETSCREW 7/16" X 2 1/2	
48	P0151006	FLAT WASHER 1/4"PLATED USS	
49	P0151031	FLAT WASHER 1"PLATED USS	
50	P0152004	LOCK WASHER 1/4"PLATED	



HCX 1590 SD (15509011HM)

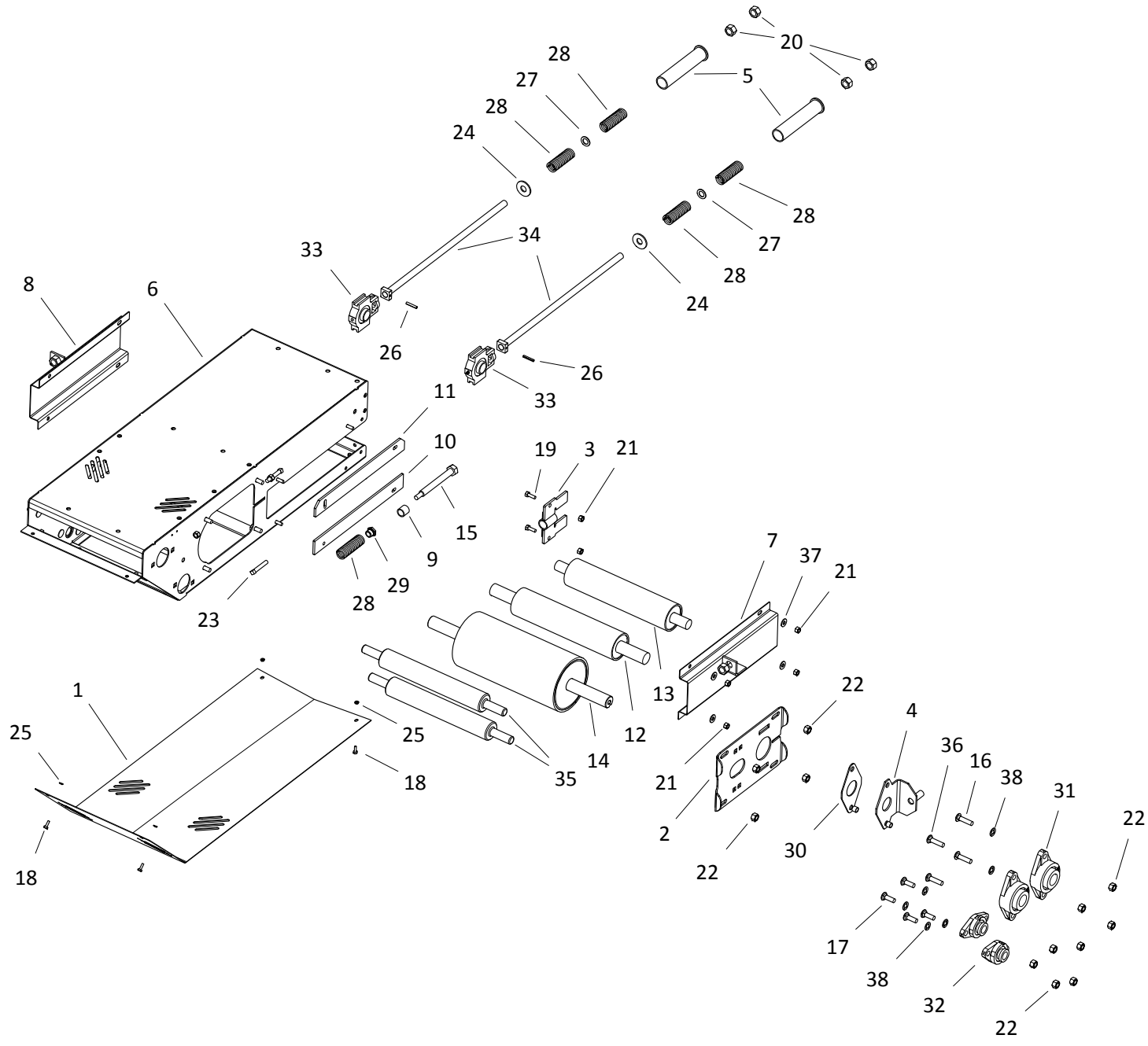
ITEM	PART NO.	DESCRIPTION	NOTES
51	P0152010	LOCK WASHER 5/16" PLATED	
52	P0162019	HITCH PIN 5/8" X 3" W/ HAIR PIN	
53	P1211501	HOOD-ROUND 15 SERIES	
54	P0615308	TIRE ASM -6BLT ST205/75R15 LRC 6PL	
55	P0183012	U-BOLT 3-1/2"X3-1/2" (3/4") PTD	
56	P0183006	U-BOLT 6"X2" (3/4") PTD	
57	P0814036	HYD CYL-4X36	
58	P0712109	CABLE CLAMP-3/8"	
59	P1010001	UNI-MOUNT PLATE CAST	
60	P0113013	CARRIAGE BOLT 7/16"X1" PLATED	
61	P2515002	FRAME BUSHING	
62	P1021006	ROLLER HEX 15-7/8"	
63	P1210030	BELT GUIDE BLOCK	
64	P1711001	BEARING FLANGE UNIT-FL208	
65	P0113004	CARRIAGE BOLT 1/2X1 1/2	
66	P302000051	HOLDER MANUAL W/CAP	NOT SHOWN
67	15570901	BELT ASM 90SD (185') PC INC PINS/CL	NOT SHOWN
68	P0711112	CABLE-3/8" (136')	NOT SHOWN
69	P0711115	CABLE-3/8" (68')	NOT SHOWN

HOPPER (1555588XHM)



HOPPER (1555588XHM)

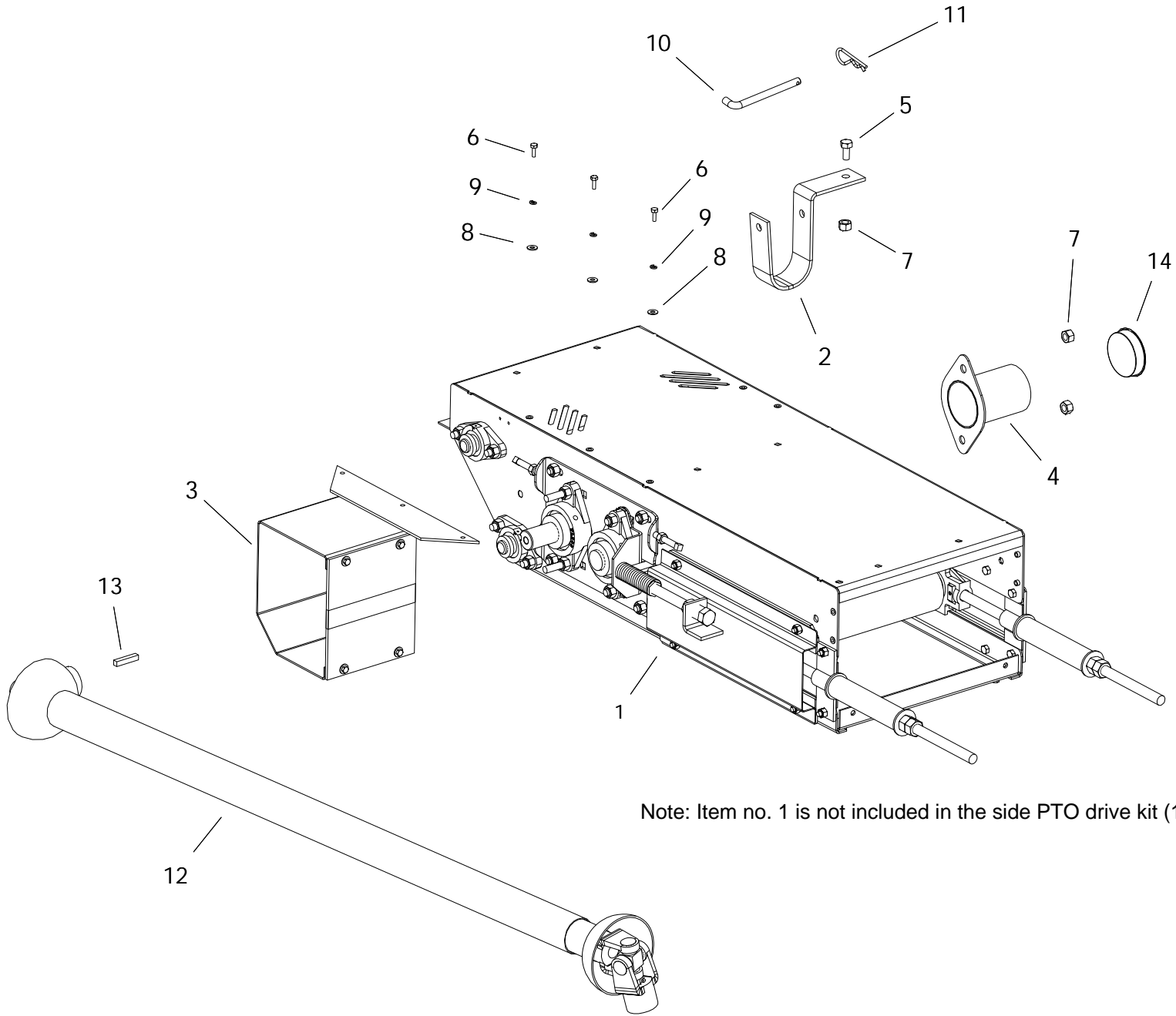
ITEM	PART NO.	DESCRIPTION
1	13052001	LOWER CLOTH FRAME STD BACK OLD/20S
3	15052004	UPPER CLOTH FRAME STD (3PC)
4	15052101	LOWER CLOTH FRAME STD SIDE
5	15052102	LOWER CLOTH FRAME STD FRONT
6	15070009	HOPPER/SPOUT ROLLER LAGGED
7	P0113004	CARRIAGE BOLT 1/2X1 1/2
8	P0113015	CARRIAGE BOLT 3/8" X 1" PLATED
9	P0114007	TAP BOLT 3/4 X 7 PLATED
10	P0115061	BOLT 5/16" X 1"
11	P0116001	ELEVATOR BOLT 1/4" X 1-1/4" PLATED
13	P0131004	NUT 1/4" PLATED
14	P0131005	NUT 5/16" PLATED
15	P0131112	NUT 3/4" PLATED
16	P0134006	NUT NYLOCK 3/8"
17	P0134008	LOCKNUT-NYLON-1/2" GRADE 8
18	P0141002	TEK SCREW 1/4" X 1"
19	P0145001	SCREW CAP
20	P0151006	FLAT WASHER 1/4" PLATED USS
22	P0161003	COTTER PIN 3/16"X1-1/2" PLATED
23	P0162007	HOPPER PIVOT SHAFT-13/15
24	P0521001	HOPPER SPRING-L
25	P0521002	HOPPER SPRING-R
26	P1621038	CANVAS-15 CONV W HUTCH LOGO
27	P1641015	TRIM LOCK 10FT
28	P1711001	BEARING FLANGE UNIT-FL208
29	P2515017	PIVOT SHAFT BRACKET
30	P11150047	HOPPER SHIELD
31	P19159000	HOPPER LEFT FLASHING STD
32	P19159001	HOPPER RIGHT FLASHING STD
33	P19159002	HOPPER FRONT FLASHING STD
34	15000314	HOPPER -LINER KIT STD
35	1555590X	HOPPER -FLASHING ONLY STD
36	15000304HM	HOPPER -COLLAPSABLE STD - HUTCH



S-DRIVE (15590020HM)

ITEM	PART NO.	DESCRIPTION
1	15040001	PINCH SD BOTTOM GUARD
2	15060061	SD COVER PLATE 6-1/2" ROLLER
3	15060027	S-DRIVE TENSION INDICATOR
4	15060082	PINCH TIGHTENER PLATE
5	15060504	PRETENSIONER 1550
6	15061045HM	S-DRIVE PINCH HM
7	15061046	SIDE GUARD LH
8	15061047	SIDE GUARD RH
9	15062010	PINCH PIPE
10	15062179	S-DRIVE SLIDER BOLT PLATE - BOTTOM
11	15062180	S-DRIVE SLIDER BOLT PLATE - TOP
12	15070019	3-1/2" TAKEUP PINCH
13	15070020	3-1/2" TAKEUP 19-1/2" SHAFT
14	15070030	DRIVE ROLLER-6-1/2" W/EXT SHAFT
15	P0113000	SPRING TENSION BOLT
16	P0113001	CARRIAGE BOLT 1/2"X2" PLATED
17	P0113004	CARRIAGE BOLT 1/2X1 1/2
18	P0118033	BOLT 1/4" X 3/4" GR8 PLATED
19	P0118046	BOLT 3/8" X 1" GR8 PL (10-18955)
20	P0131019	NUT 3/4" PLATED GRADE 8 (10-19997)
21	P0134026	LOCKNUT-NYLON-3/8" GR 8 (10-17402)
22	P0134008	LOCKNUT-NYLON-1/2" GRADE 8
23	P0145004	SET SCREW-7/16"X1-1/2"SQ.HD.PLATED
24	P0151015	FLAT WASHER 3/4"PLATED USS
25	P0152004	LOCK WASHER 1/4"PLATED
26	P0167001	SPRING PIN 1/4" X 1-1/2"
27	P0351015	MACHINERY BUSHING
28	P0511008	SPRING 13/15'S SDRIVE
29	P0820129	BUSHING BRASS FLANGED
30	P1210102	BELT TIGHTENER SLIDER PLATE FL208
31	P1711001	BEARING FLANGE UNIT-FL208
32	P1711004	FLANGE UNIT-1"-SAFL205-16
33	P1721001	TAKE UP UNIT 1-1/4"-T206-20
34	P2515006	15 S-DRIVE TIGHTENER BOLT
35	P20315001	S-DRIVE RETURN
36	P0113003	BOLT CARRIAGE 1/2"X2-1/2"PLATED
37	P0151009	FLAT WASHER 3/8 USS PLATED
38	P0151037	WASHER FLAT 0.531 SQUARE-1.00-0.060

SIDE P.T.O. DRIVE KIT (15592200)

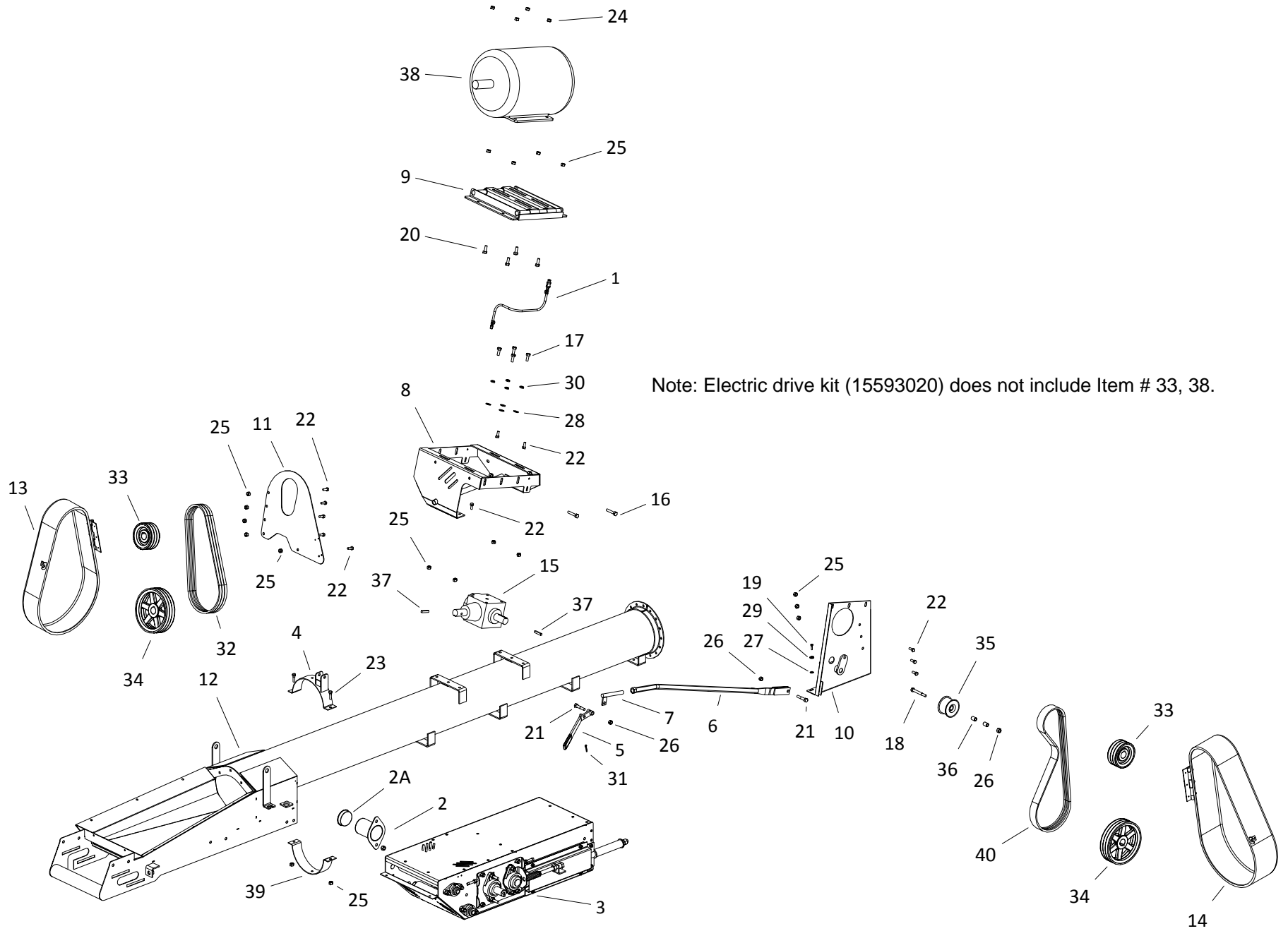


Note: Item no. 1 is not included in the side PTO drive kit (15592200)

SIDE P.T.O. DRIVE KIT (15592200)

ITEM	PART NO.	DESCRIPTION
1	15590020HM	S-DRIVE ASM W/PINCH HUTCH
2	13042018	PTO CRADLE
3	15040002	PTO GUARD
4	15041038	SHAFT GUARD(FL-208)
5	P0115012	BOLT 1/2" X 1" GR5 PLATED
6	P0115033	BOLT 1/4" X 3/4" GR5 PLATED
7	P0134008	LOCKNUT-NYLON-1/2" GRADE 8
8	P0151006	FLAT WASHER 1/4"PLATED USS
9	P0152004	LOCK WASHER 1/4"PLATED
10	P0162004	HITCH PIN 1/2" X 5" PLATED
11	P0163001	HAIRPIN 3/16 X 3 1/4
12	P0381014	PTO SHAFT 1-1/2"X75"
13	P0391002	KEY 3/8" X 2" LONG
14	P1210033	501 SHAFT GUARD PLUG

ELECTRIC DRIVE KIT (15593020)

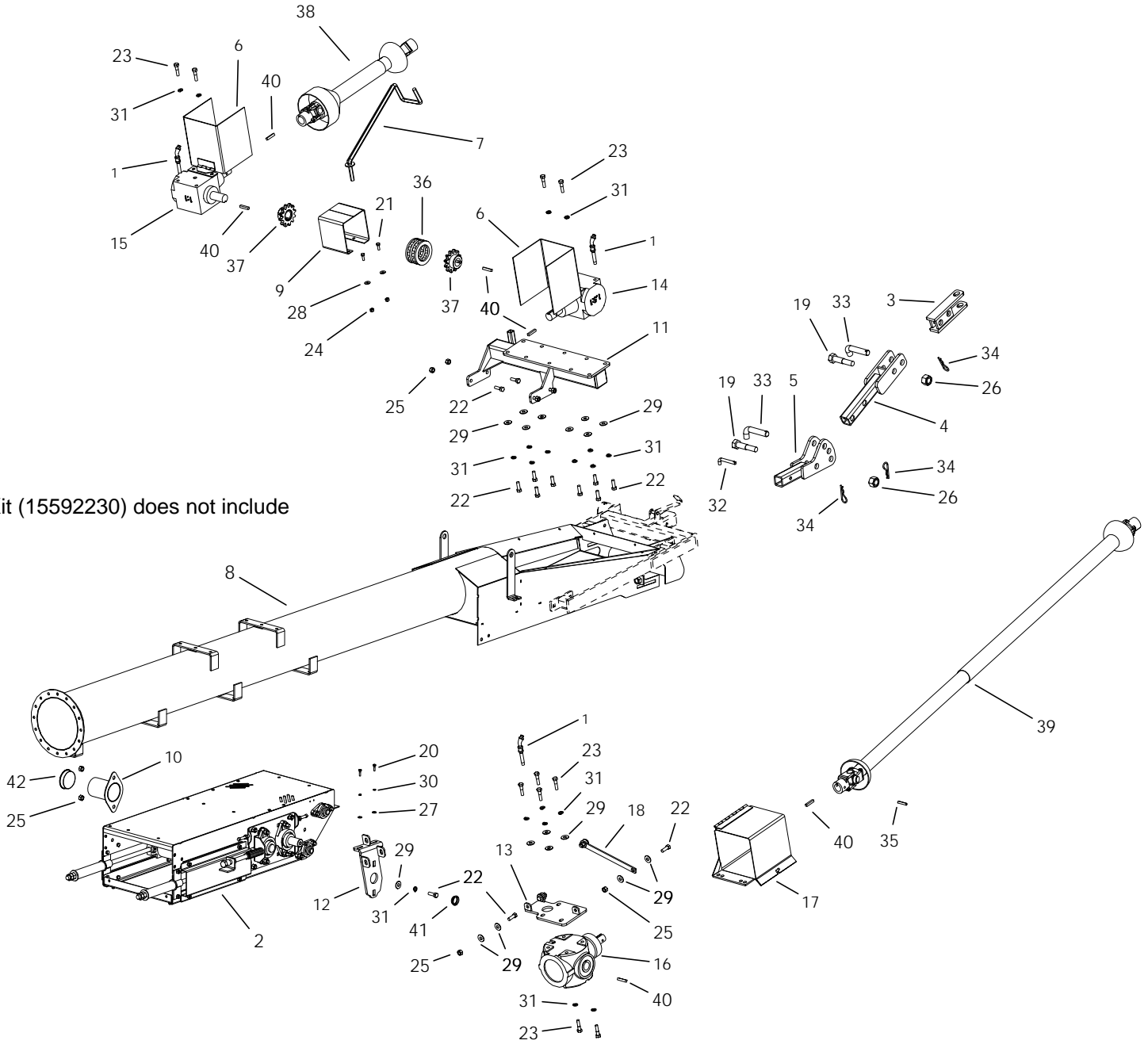


Note: Electric drive kit (15593020) does not include Item # 33, 38.

ELECTRIC DRIVE KIT (15593020)

ITEM	PART NO.	DESCRIPTION
1	01010003	BREATHER DIRECT DRIVE
2	24041038	SHAFT GUARD(FL-210)
2A	P1210033	501 SHAFT GUARD PLUG
3	15590020HM	S-DRIVE ASM W/PINCH HUTCH
4	13010048	MOTOR MT OVERCENTER ANCHOR BKT
5	13010054	MOTOR MT OVERCENTER HANDLE
6	13060068	MOTOR MT OVERCENTER PUSHROD
7	13060074	OVERCENTER ADJUSTER
8	13060102	MOTOR MOUNT
9	13060103	SLIDER MOUNT
10	13060105	MOTOR MOUNT BACK PLATE
11	13060107	ENGINE GUARD BACK
12	15020040WC	
13	15040055	PINCH GUARD SMALL ASSEMBLED
14	15040056	PINCH GUARD MED ASSEMBLED
15	15591001	GBOX 90 2:1 CW/CW 1-1/2 4190 W/OIL
16	P0114005	TAP BOLT 1/2 X 2-1/2 GR8 PLATED
17	P0115020	BOLT 1/2" X 1-1/4" GR5 PLATED
18	P0115021	BOLT 1/2" X 4" GR5 PLATED
19	P0115025	BOLT 1/4" X 1" GR5 PLATED
20	P0115061	BOLT 5/16" X 1"
21	P0118016	BOLT 1/2" X 2" GR8 PLATED
22	P0118076	BOLT 7/16" X 1" GR8 PLATED
23	P0118077	BOLT 7/16" X 1-1/2" GR8 PLATED
24	P0134005	NUT NYLOCK 5/16
25	P0134007	LOCKNUT-NYLON-7/16" GRADE 8
26	P0134008	LOCKNUT-NYLON-1/2" GRADE 8
27	P0151006	FLAT WASHER 1/4"PLATED USS
28	P0151029	FLAT WASHER 1/2"PLATED USS
29	P0152004	LOCK WASHER 1/4"PLATED
30	P0152008	LOCK WASHER 1/2" PLATED
31	P0161003	COTTER PIN 3/16"X1-1/2"PLATED
32	P0321052	BELT B52
33	P0328050	PULLEY-TRPL-6" W/1-1/2"BORE
34	P0328079	PULLEY-TRPL-10" W/1-1/2"BORE
35	P0328908	IDLER-FLAT-4"TRPL 2-7/16"WIDE
36	P0351019	BUSHING 3/4"ODX1/2"IDX1"BRONZE
37	P0391002	KEY 3/8" X 2" LONG
38	P0931005	MOTOR 10HP 3PH 230/460V 1740RPM
39	P2219801P	U-CLAMP HANGER-10"X2-1/2"-BLACK
40	P03210652	BELT 3B65 BANDED

FRONT DRIVE PTO KIT 15 SERIES (15592230)

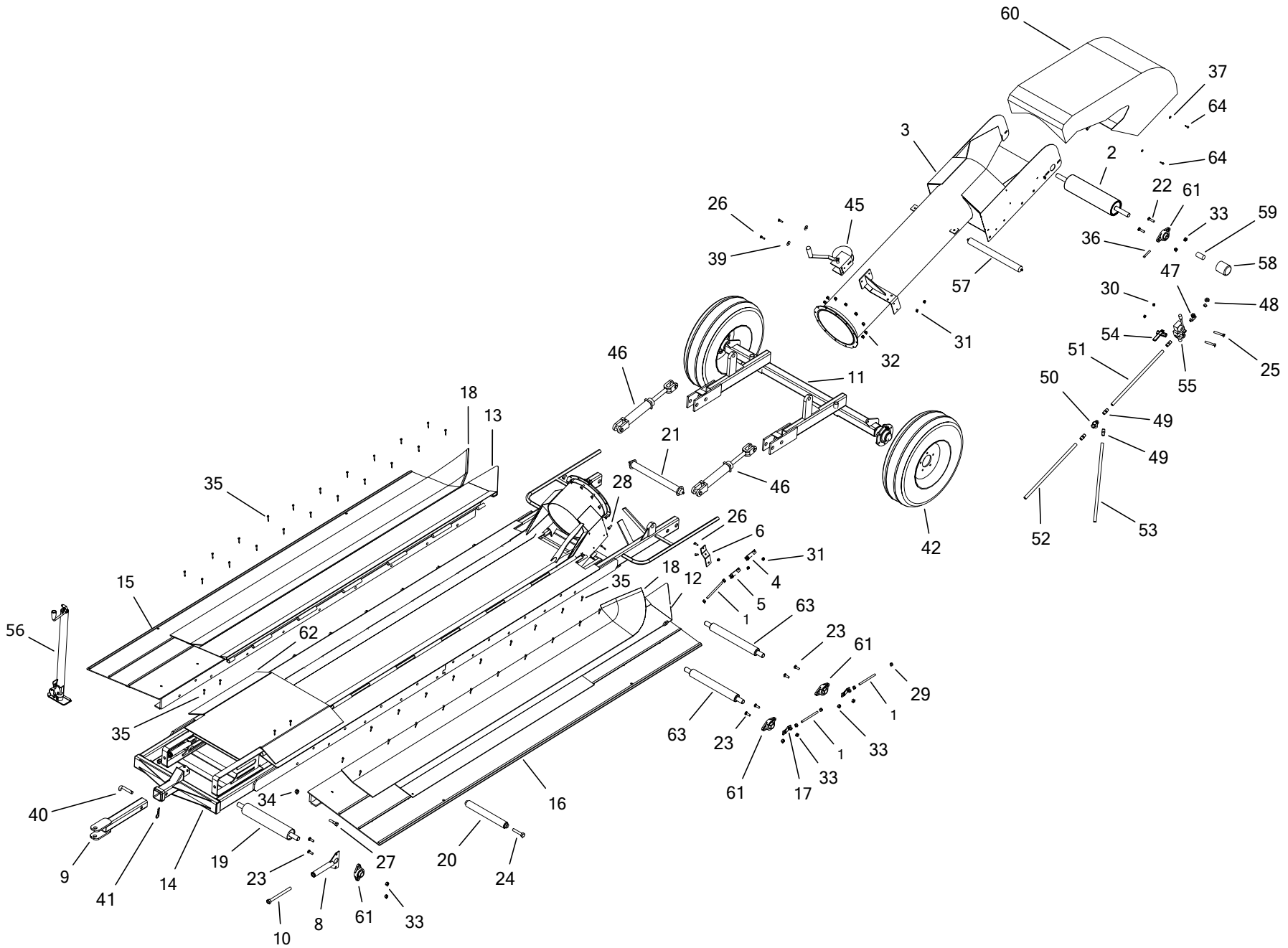


Note: Front PTO Kit (15592230) does not include item # 2, 8

FRONT DRIVE PTO KIT 15 SERIES (15592230)

ITEM	PART NO.	DESCRIPTION
1	01010002	BREATHER -SWING AWAY
2	15590020HM	S-DRIVE ASM W/PINCH HUTCH
3	13030017	CLEVIS
4	13030064	13/15 ADJUSTABLE CLEVIS
5	13030065	15 SWING ADJUSTABLE TONGUE
6	13040011	PTO GUARD SWING
7	13090019	SWING PTO CRADLE
8	15020040WC	
9	15040009	COUPLING GUARD
10	15041038	SHAFT GUARD(FL-208)
11	15090067	GEARBOX MOUNT PLATFORM
12	15090071	SWING GEARBOX SIDE MT (SD)
13	15090072	SWING GEARBOX SIDE MT (GBOX)
14	15591000	GBOX 90 1:1 CW/CW 1-1/2 4190 W/OIL
15	15591002	GBOX 90 1:1 CW/CCW 1-1/2 4190 W/OIL
16	15591003	GBOX 90 1.5:1SFTMT 1-1/2 5190 W/OIL
17	20040008	GUARD 6190GB FLIP-UP
18	20092097	SWING 6190 GBOX SIDE MT (LINK ARM)
19	P0115007	BOLT 1" X 4-1/2" GR5 PLATED
20	P0115025	BOLT 1/4" X 1" GR5 PLATED
21	P0115046	BOLT HEX 3/8 X 1
22	P0118013	BOLT 1/2" X 1-1/2" GR8 PLATED
23	P0118016	BOLT 1/2" X 2" GR8 PLATED
24	P0134006	NUT NYLOCK 3/8"
25	P0134008	LOCKNUT-NYLON-1/2" GRADE 8
26	P0134016	LOCKNUT-NYLON-1"
27	P0151006	FLAT WASHER 1/4"PLATED USS
28	P0151009	FLAT WASHER 3/8 USS PLATED
29	P0151029	FLAT WASHER 1/2"PLATED USS
30	P0152004	LOCK WASHER 1/4"PLATED
31	P0152008	LOCK WASHER 1/2" PLATED
32	P0162001	HITCH PIN 1/2" X 3" PLATED
33	P0162003	HITCH PIN 1" X 3-1/2" PLATED
34	P0163001	HAIRPIN 3/16 X 3 1/4
35	P0167002	SPRING PIN 3/8" X 2"
36	P0311003	CHAIN FOR DRIVE(80-2RX12L INCL.CL)
37	P0338122	SPROCKET-H80B12 X 1-1/2
38	P0381003	CV SHAFT-14E W/1-1/2"IMP.END-540RPM
39	P0381028	PTO SHAFT-1-1/2" BOTH ENDS-105"-35
40	P0391002	KEY 3/8" X 2" LONG
41	P1210022	RECESSED HEAD BUTTON PLUG 1-1/2"
42	P1210033	501 SHAFT GUARD PLUG

HCX 1800 PITSTOP (25001068HM)



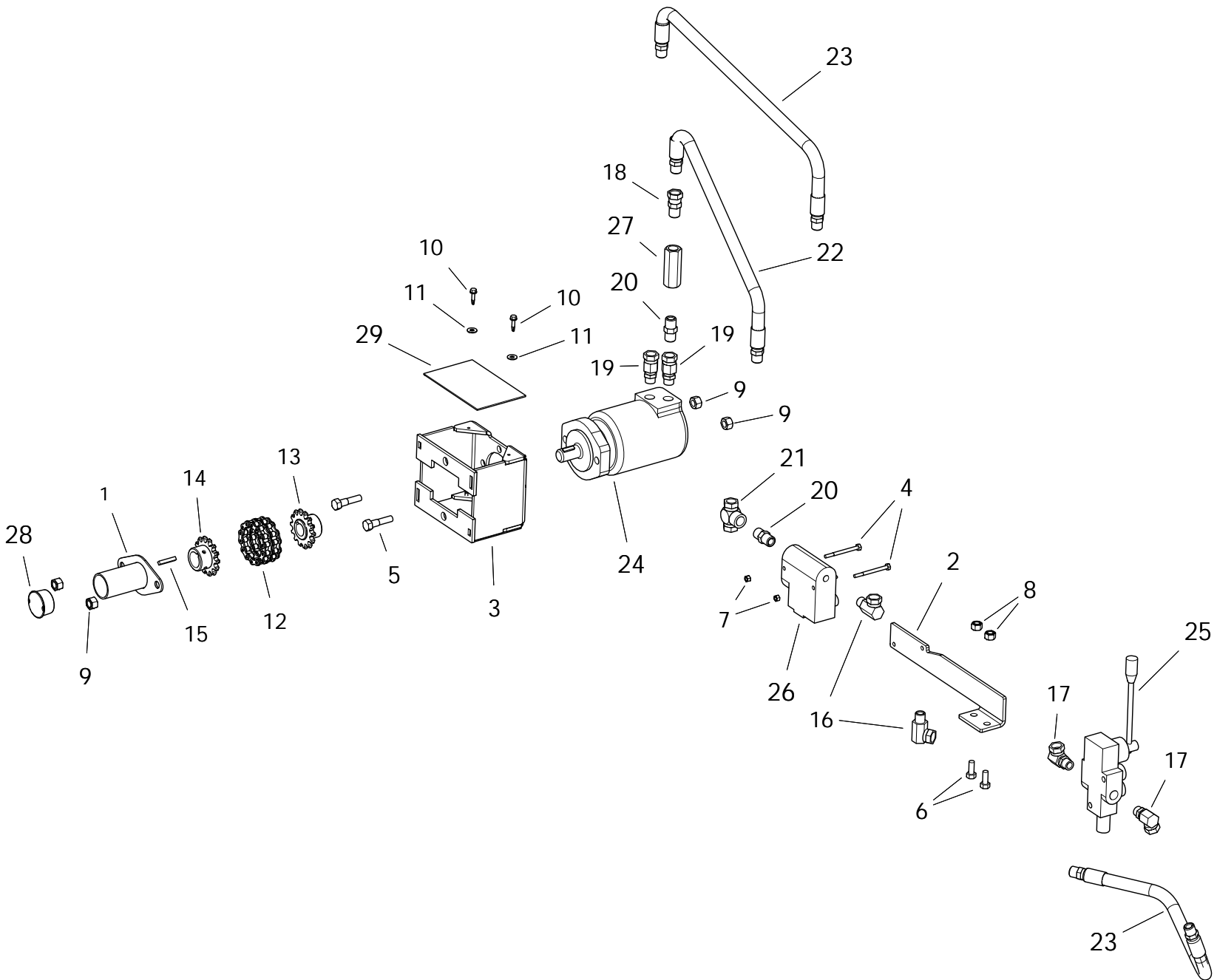
HCX 1800 PITSTOP (25001068HM)

ITEM	PART NO.	DESCRIPTION	NOTES
1	13102055	TAB ADJUSTER ROD-1/2" X 7"	
2	18070007	SPOUT DRIVE	
3	18100009WC	68" PITSTOP SPOUT WESTFIELD	
4	18100012WC	ADJUSTMENT LINK LEFT WESTFIELD	
5	18100014	ADJUSTMENT LINK RIGHT	
6	18102021WC	BENT ADJUSTMENT ARM LEFT WESTFIELD	
7	25000700	BELT PITSTOP (46'8") PC INC PINS/C	NOT SHOWN
8	25010001WC	PITSTOP TIGHTENER WESTFIELD	
9	25010005	PITSTOP TONGUE	
10	25010006	PIT BELT TIGHTENER BOLT	
11	25030003WC	AXLE WELDMENT WESTFIELD	
12	25030007WC	FLAP WELDMENT RIGHT WESTFIELD	
13	25030008WC	FLAP WELDMENT LEFT WESTFIELD	
14	25030110WC	18 PITSTOP CENTER WELDMENT - WF	
15	25030111WC	PITSTOP RAMP WELDMENT LEFT - WF	
16	25030112WC	PITSTOP RAMP WELDMENT RIGHT - WF	
17	25050002WC	BEARING TIGHTENER MOUNT WESTFIELD	
18	25053005	HOPPER BELT FLAP	
19	25070002	PITSTOP TAKE-UP ROLLER	
20	25070003	PIT TRENCH RETURN ROLLER	
21	25070004	PITSTOP GUIDING RETURN ROLLER	
22	P0113001	CARRIAGE BOLT 1/2"X2" PLATED	
23	P0113004	CARRIAGE BOLT 1/2X1 1/2	
24	P0114001	BOLT TAP 3/4 X 3-1/2 PLATED	
25	P0114010	TAP BOLT 3/4 X 9 UNC GR.5 PLATED	
26	P0115046	BOLT HEX 3/8 X 1	
27	P0118070	BOLT 5/8" X 2-1/2" GR8 PLATED	
28	P0118076	BOLT 7/16" X 1" GR8 PLATED	
29	P0131108	NUT HEX GR.5 1/2	
30	P0134005	NUT NYLOCK 5/16	
31	P0134006	NUT NYLOCK 3/8"	
32	P0134007	LOCKNUT-NYLON-7/16" GRADE 8	
33	P0134008	LOCKNUT-NYLON-1/2" GRADE 8	
34	P0134010	LOCKNUT-NYLON-5/8"	
35	P0141003	TEK SCREW 1/4"X1-1/2" HEX WASHER	
36	P0145002	SQ HD SETSCREW 7/16" X 2 1/2	
37	P0151006	FLAT WASHER 1/4"PLATED USS	
38	P0151015	FLAT WASHER 3/4"PLATED USS	
39	P0151027	FLAT WASHER 1/2 USS BARE	
40	P0162002	HITCH PIN 3/4" X 3-1/2" PLATED	
41	P0163001	HAIRPIN 3/16 X 3 1/4	
42	P0615307	TIRE ASM -6BLT ST205/75D15 LRB	
43	P0711103	CABLE-5/16" 7 X 19 GAC	NOT SHOWN
44	P0712105	CABLE CLAMP-5/16" GALV.	NOT SHOWN
45	P0714105	WINCH K1051 0301	
46	P0812008	HYD CYL 2 X 8	
47	P0820009	SWIVEL-6MORBX1/2"FPT/90D	
48	P0820614	ELBOW/STR-3/8"PT/90D(NOT SHOWN)	
49	P0821133	HEX NIPPLE-1/2" (S1022-D)	
50	P0821201	TEE-SWIVEL-1/2"FEM	

HCX 1800 PITSTOP (25001068HM)

ITEM	PART NO.	DESCRIPTION	NOTES
51	P0832023	HOSE 3/8(10")-1/2MPT-1/2MPT PC	
52	P0832034	HOSE 3/8(3'7")-1/2MPT-1/2MPT PC	
53	P0832035	HOSE 3/8(5")-1/2MPT-1/2MPT PC	
54	P0861001	BALL VALVE 1/2"	
55	P0861014	VALVE SINGLE SPOOL	
56	P1012002	JACK-3000LB,20"-MOUNT AT 3"	
57	P1021003	ROLLER HEX 21"	
58	P1210005	PLASTIC-GUARD-KEYED SHAFT	
59	P1210012	VINYL CAP 1 1/4 X 2 1/2	
60	P1211802	PITSTOP HOOD	
61	P1711002	FLANGE UNIT-1-1/4"-SAFL206-20	
62	P11259005	FOOT GUARD FLASHING	
63	P20325001	PITSTOP TRANSITION ROLLER	
64	P0141002	TEK SCREW 1/4" X 1"	
65	P302000051	HOLDER MANUAL W/CAP	NOT SHOWN

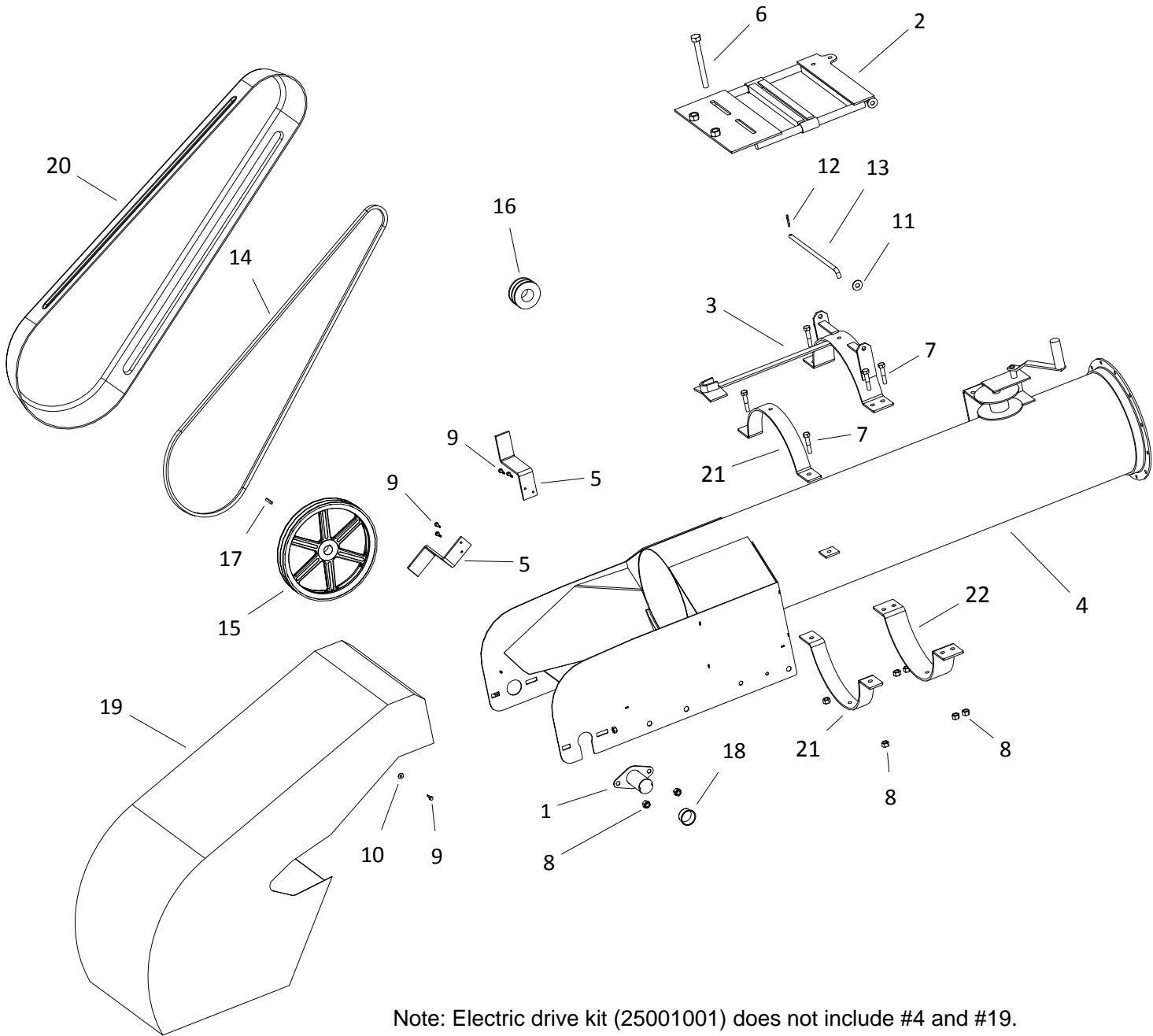
HYDRAULIC DRIVE KIT (25001003)



HYDRAULIC DRIVE KIT (25001003)

ITEM	PART NO.	DESCRIPTION
1	13041038	SHAFT GUARD(FL-206)
2	25010002	FLOW CONTROL BRACKET
3	25060003	2000 SERIES PITSTOP MOUNT HYD
4	P0115032	BOLT 1/4" X 3" GR5 PLATED
5	P0118016	BOLT 1/2" X 2" GR8 PLATED
6	P0118076	BOLT 7/16" X 1" GR8 PLATED
7	P0134004	LOCKNUT-NYLON-1/4"
8	P0134007	LOCKNUT-NYLON-7/16" GRADE 8
9	P0134008	LOCKNUT-NYLON-1/2" GRADE 8
10	P0141002	TEK SCREW 1/4" X 1"
11	P0151006	FLAT WASHER 1/4"PLATED USS
12	P0311001	CHAIN COUPLING 5014
13	P0335140	SPROCKET 5014 1.0(KEY0.25)
14	P0335141	SPROCKET 5014 W 1.25(KEY0.25)
15	P0391003	KEY 1/4"x1-1/2"
16	P0820001	SWIVEL-1/2"PT/90D
17	P0820010	SWIVEL 90 - #10 ORB X 1/2 FPT
18	P0821112	SWIVEL-1/2"MPTX1/2"FPT
19	P0821114	SWIVEL-10MORBX1/2"FPT
20	P0821133	HEX NIPPLE-1/2" (S1022-D)
21	P0821201	TEE-SWIVEL-1/2"FEM
22	P0832013	HOSE 1/2(6'7")-1/2"MPT-1/2"MPT PC
23	P0832014	HOSE 1/2(1'10")-1/2"MPT-1/2"MPT PC
24	P0841019	HYD MOTOR-6.2-2000-1"
25	P0861014	VALVE SINGLE SPOOL
26	P0861016	VALVE-FLOW CONTROL 1/2
27	P0861035	CHECK VALVE-1/2" (NO HOLE)
28	P1210032	FL-206 SHAFT GUARD PLUG
29	P1210100	1 1/4 HYD MTR GUARD 4.5 x 6.25

18" PS ELECTRIC DRIVE KIT (25001001)

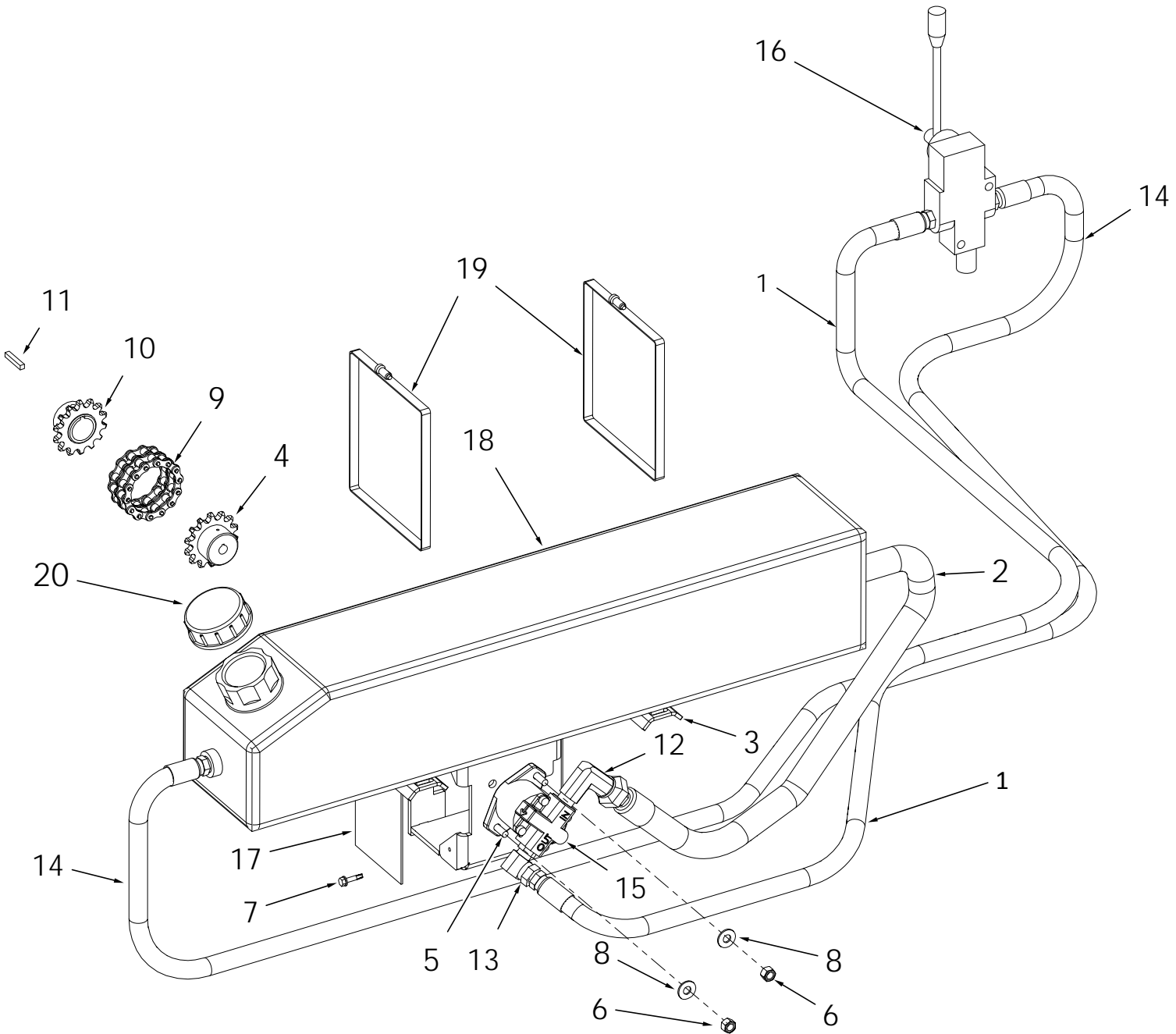


Note: Electric drive kit (25001001) does not include #4 and #19.

18" PS ELECTRIC DRIVE KIT (25001001)

ITEM	PART NO.	DESCRIPTION
1	13041038	SHAFT GUARD(FL-206)
2	13060027	13 SERIES HD MOTOR MOUNT PLATE
3	18060004	ELECTRIC MOTOR CLAMP
4	18100009	68" PITSTOP SPOUT
5	25013011	PIT GUARD MOUNT
6	P0114007	TAP BOLT 3/4 X 7 PLATED
7	P0118017	BOLT 1/2" X 2-1/2" GR8 PLATED
8	P0134008	LOCKNUT-NYLON-1/2" GRADE 8
9	P0141002	TEK SCREW 1/4" X 1"
10	P0151006	FLAT WASHER 1/4"PLATED USS
11	P0151029	FLAT WASHER 1/2"PLATED USS
12	P0161003	COTTER PIN 3/16"X1-1/2"PLATED
13	P0162006	PIN-ELECT.MTR.MNT-LONG
14	P0321108	BELT B108
15	P0328009	PULLEY-DBL-B-14" W/1-1/4"BORE
16	P0328016	PULLEY 2BK34H
17	P0391003	KEY 1/4"x1-1/2"
18	P1210032	FL-206 SHAFT GUARD PLUG
19	P1211801	PLASTIC HOOD ROUND (18/20)
20	P1211803	PIT GUARD
21	P2518202P	2" U-CLAMP PAINTED
22	P2518203P	3" U-CLAMP PAINTED

18" PS HYDRAULIC WET KIT (25001004)



18" PS HYDRAULIC WET KIT (25001004)

ITEM	PART NO.	DESCRIPTION
1	01010008	HOSE 1/2(7'6")-1/2"MPT-1/2"MPT
2	01010009	HOSE 3/4(3')-1/2"MPT-HOSE
3	25010007	PUMP WET KIT
4	99501408	SPROCKET 5014 W 0.5(KEY0.125)
5	P0115047	BOLT HEX 3/8" X 1-1/2"
6	P0134006	NUT NYLOCK 3/8"
7	P0141002	TEK SCREW 1/4" X 1"
8	P0151009	FLAT WASHER 3/8 USS PLATED
9	P0311001	CHAIN COUPLING 5014
10	P0335141	SPROCKET 5014 W 1.25(KEY0.25)
11	P0391003	KEY 1/4"x1-1/2"
12	P0820003	SWIVEL-10MORBX1/2"FPT/90D
13	P0820010	SWIVEL 90 - #10 ORB X 1/2 FPT
14	P0832012	HOSE 1/2(9'6")-1/2"MPT-1/2"MPT PC
15	P0841032	PUMP-PARKER WITH SIDE PORTS
16	P0861014	VALVE SINGLE SPOOL
17	P1210100	1 1/4 HYD MTR GUARD 4.5 x 6.25
18	P029900052-3	TANK, 22L, BLK_FTG, CAP HOSE
19	P029900216	CLAMP, GEAR (116) 32"
20	1200011	CAP,FOR RESERVOIR & GAS TANK

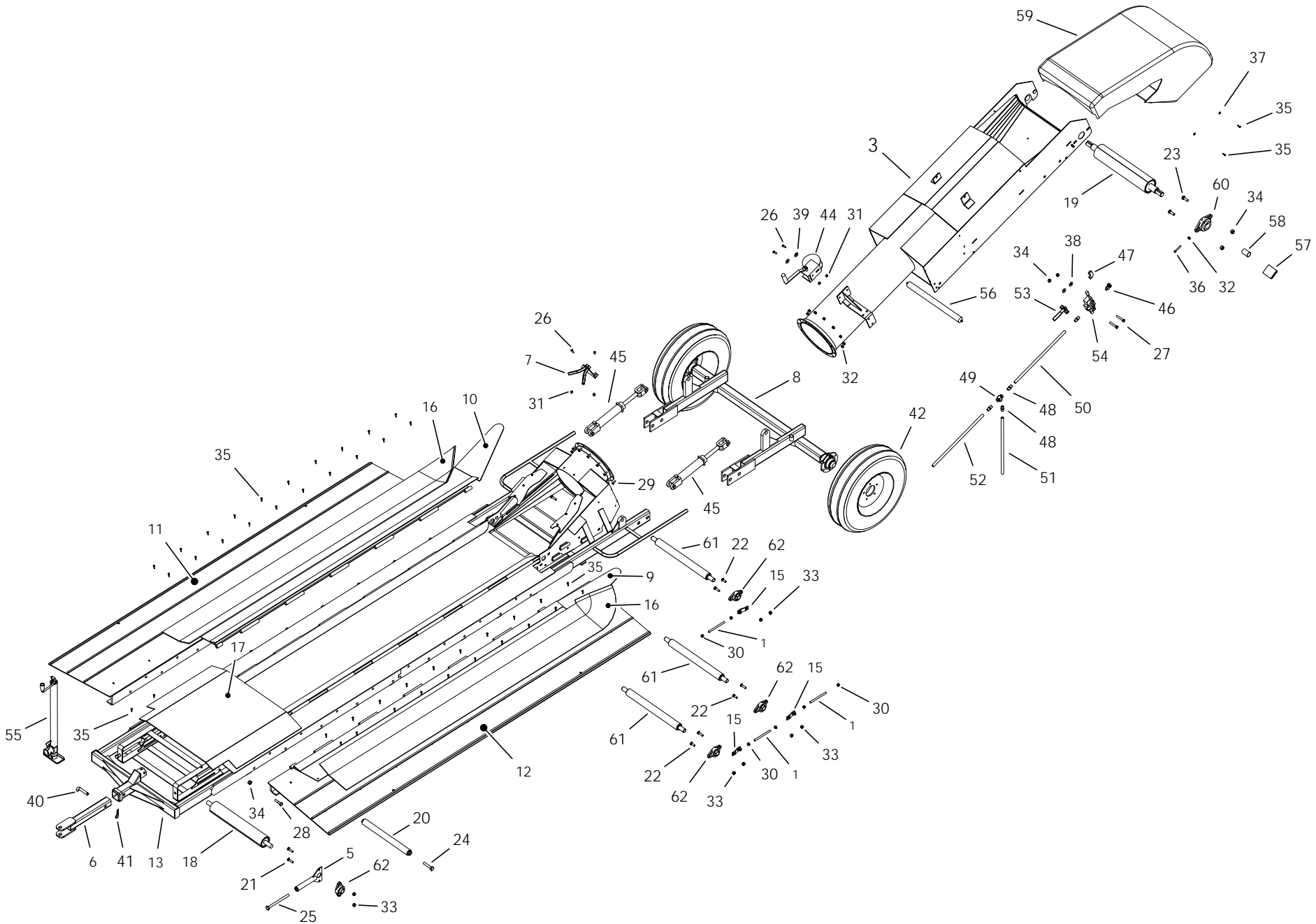
HCX 2400 PITSTOP (25001070HM)



HCX 2400 PITSTOP (25001070HM)

ITEM	PART NO.	DESCRIPTION	NOTES
1	13102055	TAB ADJUSTER ROD-1/2" X 7"	
2	24011001WC	RETURN ROLLER BRACKET	
3	24020011WC	PITSTOP SPOUT - 24" BELT NEW WF	
4	25000702	BELT PITSTOP 24" BELT (52'4")	NOT SHOWN
5	25010001WC	PITSTOP TIGHTENER WESTFIELD	
6	25010005	PITSTOP TONGUE	
7	25010015WC	CABLE GUIDE - WF	
8	25030036WC	AXLE WELDMENT - 24" BELT WF	
9	25030037WC	FLAP WELDMENT RIGHT - 24" BELT-WF	
10	25030038WC	FLAP WELDMENT LEFT - 24" BELT WF	
11	25030111WC	PITSTOP RAMP WELDMENT LEFT - WF	
12	25030112WC	PITSTOP RAMP WELDMENT RIGHT - WF	
13	25030120WC	24 PITSTOP CENTER WELDMENT WF	
14	25033076	HINGE PIN	
15	25050002WC	BEARING TIGHTENER MOUNT WESTFIELD	
16	25053005	HOPPER BELT FLAP	
17	25053040	FOOT GUARD FLASHING - 24" BELT	
18	25070006	PITSTOP TAKE-UP ROLLER - 24" BELT	
19	25070007	PITSTOP SPOUT ROLLER - 24" BELT	
20	25070008	PIT TRENCH ROLLER W/ LOCKING COLLAR	
21	P0113001	CARRIAGE BOLT 1/2"X2" PLATED	
22	P0113004	CARRIAGE BOLT 1/2X1 1/2	
23	P0113007	BOLT CARRIAGE 5/8"X2" PLATED	
24	P0114001	BOLT TAP 3/4 X 3-1/2 PLATED	
25	P0114010	TAP BOLT 3/4 X 9 UNC GR.5 PLATED	
26	P0115046	BOLT HEX 3/8 X 1	
27	P0118063	BOLT 5/16" X 2-1/2" GR8 PLATED	
28	P0118070	BOLT 5/8" X 2-1/2" GR8 PLATED	
29	P0118076	BOLT 7/16" X 1" GR8 PLATED	
30	P0131108	NUT HEX GR.5 1/2	
31	P0134006	NUT NYLOCK 3/8"	
32	P0134007	LOCKNUT-NYLON-7/16" GRADE 8	
33	P0134008	LOCKNUT-NYLON-1/2" GRADE 8	
34	P0134010	LOCKNUT-NYLON-5/8"	
35	P0141003	TEK SCREW 1/4"X1-1/2" HEX WASHER	
36	P0145002	SQ HD SETSCREW 7/16" X 2 1/2	
37	P0151006	FLAT WASHER 1/4"PLATED USS	
38	P0151015	FLAT WASHER 3/4"PLATED USS	
39	P0151027	FLAT WASHER 1/2 USS BARE	
40	P0162002	HITCH PIN 3/4" X 3-1/2" PLATED	
41	P0163001	HAIRPIN 3/16 X 3 1/4	
42	P0615307	TIRE ASM -6BLT ST205/75D15 LRB	
43	P0712105	CABLE CLAMP-5/16" GALV.	
44	P0714105	WINCH K1051 0301	
45	P0812008	HYD CYL 2 X 8	
46	P0820009	SWIVEL-6MORBX1/2"FPT/90D	
47	P0820614	ELBOW/STR-3/8"PT/90D(NOT SHOWN)	
48	P0821133	HEX NIPPLE-1/2" (S1022-D)	
49	P0821201	TEE-SWIVEL-1/2"FEM	
50	P0832023	HOSE 3/8(10")-1/2MPT-1/2MPT PC	

HCX 2400 PITSTOP (25001070HM)



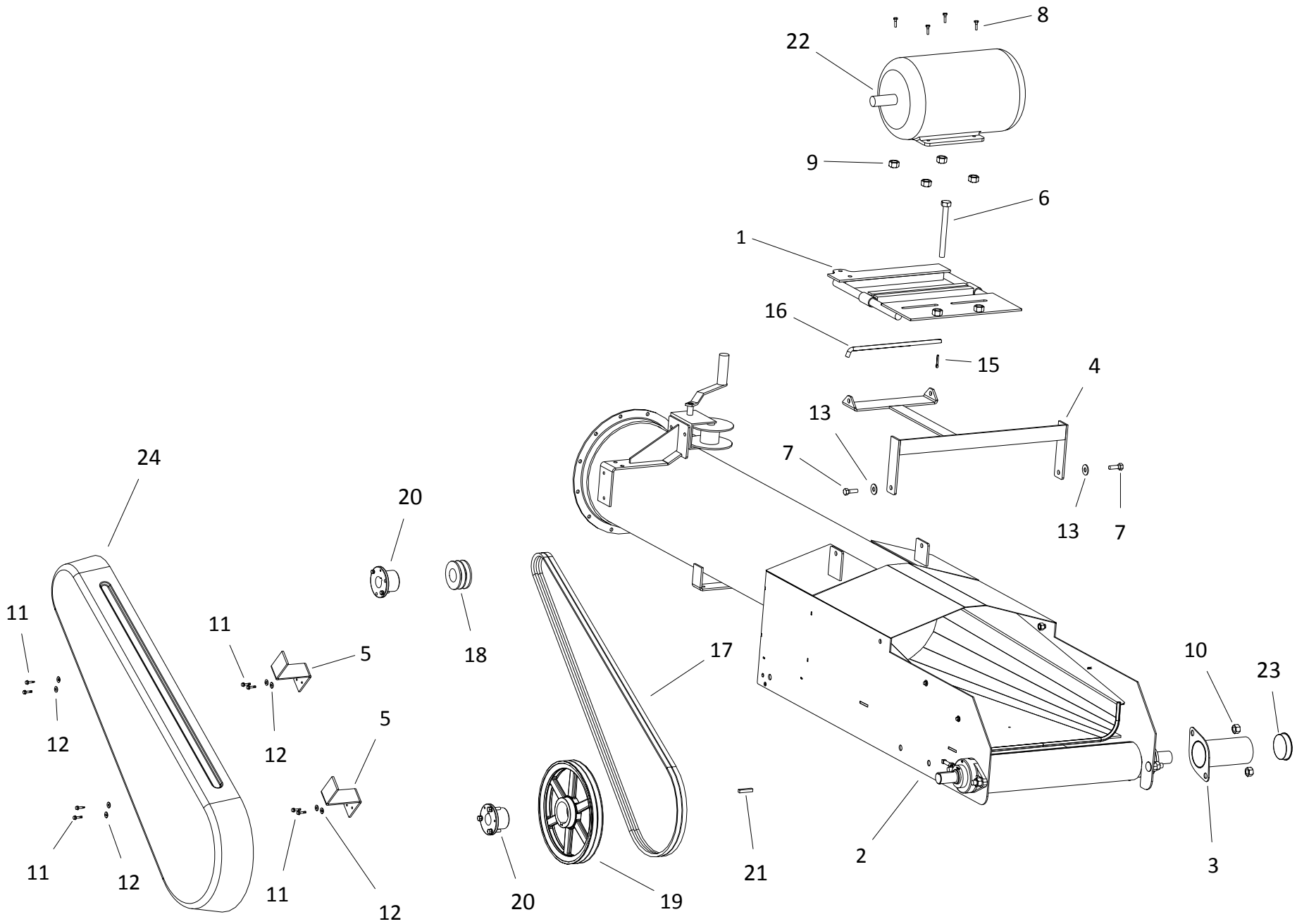
HCX 2400 PITSTOP (25001070HM)

ITEM	PART NO.	DESCRIPTION	NOTES
51	P0832034	HOSE 3/8(3'7")-1/2MPT-1/2MPT PC	
52	P0832035	HOSE 3/8(5")-1/2MPT-1/2MPT PC	
53	P0861001	BALL VALVE 1/2"	
54	P0861014	VALVE SINGLE SPOOL	
55	P1012009	JACK-7000LB SQ.TUBE 25" EXT	
56	P1021011	ROLLER HEX 25"	
57	P1210005	PLASTIC-GUARD-KEYED SHAFT	
58	P1210013	VINYL CAP (1-1/2"X2-1/2")	
59	P1212401	HOOD-SQUARE 24 SERIES	
60	P1711006	FLANGE UNIT-1-15/16"-PREMIUM	
61	P20325002	PITSTOP TRANSITION ROLLER -24" BELT	
62	P1711005	FLANGE UNIT-1-1/4"-PREMIUM	
63	P302000051	HOLDER MANUAL W/CAP	NOT SHOWN

HYDRAULIC DRIVE KIT (250010031)

ITEM	PART NO.	DESCRIPTION
1	20060003	1-15/16" HYD MOUNT 2000 SER
2	24000349	SPOUT -SQUARE STEEL W/DBL DRIVE
3	24041038	SHAFT GUARD(FL-210)
4	25010002	FLOW CONTROL BRACKET
5	25041007	24" PIT HYD DRIVE GUARD
6	P0115032	BOLT 1/4" X 3" GR5 PLATED
7	P0118016	BOLT 1/2" X 2" GR8 PLATED
8	P0118076	BOLT 7/16" X 1" GR8 PLATED
9	P0134004	LOCKNUT-NYLON-1/4"
10	P0134007	LOCKNUT-NYLON-7/16" GRADE 8
11	P0134008	LOCKNUT-NYLON-1/2" GRADE 8
12	P0134010	LOCKNUT-NYLON-5/8"
14	P0141002	TEK SCREW 1/4" X 1"
15	P0151006	FLAT WASHER 1/4"PLATED USS
16	P0311007	R/CHAIN-DRIVE(60-2RX14+CL+OL)
17	P0336154	SPROCKET-6015-1"BORE
18	P0336155	SPROCKET-6015-1-1/2"BORE
19	P0391002	KEY 3/8" X 2" LONG
20	P0820001	SWIVEL-1/2"PT/90D
21	P0820010	SWIVEL 90 - #10 ORB X 1/2 FPT
22	P0821112	SWIVEL-1/2"MPTX1/2"FPT
23	P0821114	SWIVEL-10MORBX1/2"FPT
24	P0821133	HEX NIPPLE-1/2" (S1022-D)
25	P0821133	HEX NIPPLE-1/2" (S1022-D)
26	P0821201	TEE-SWIVEL-1/2"FEM
27	P0832012	HOSE 1/2(9'6")-1/2"MPT-1/2"MPT PC
28	P0832014	HOSE 1/2(1'10")-1/2"MPT-1/2"MPT PC
29	P0841040	HYD MOTOR 8.0 2000S
30	P0861014	VALVE SINGLE SPOOL
31	P0861016	VALVE-FLOW CONTROL 1/2
32	P0861035	CHECK VALVE-1/2" (NO HOLE)
33	P1210033	501 SHAFT GUARD PLUG
34	13202119	KEY 1/4" X 1-1/2"
35	P1243001	CABLE TIE 14" 120 LB (NOT SHOWN)

ELECTRIC DRIVE KIT (250010011)



ELECTRIC DRIVE KIT (250010011)

ITEM	PART NO.	DESCRIPTION
1	13060027	13 SERIES HD MOTOR MOUNT PLATE
2	24000349	SPOUT -SQUARE STEEL W/DBL DRIVE
3	24041038	SHAFT GUARD(FL-210)
4	24060004	24 TD ELECTRIC MOTOR CLAMP
5	25013011	PIT GUARD MOUNT
6	P0114007	TAP BOLT 3/4 X 7 PLATED
7	P0115020	BOLT 1/2" X 1-1/4" GR5 PLATED
8	P0115061	BOLT 5/16" X 1"
9	P0124005	LOCKNUT 5/16"
10	P0134010	LOCKNUT-NYLON-5/8"
11	P0141002	TEK SCREW 1/4" X 1"
12	P0151006	FLAT WASHER 1/4"PLATED USS
13	P0151029	FLAT WASHER 1/2"PLATED USS
14	P0152008	LOCK WASHER 1/2" PLATED
15	P0161003	COTTER PIN 3/16"X1-1/2"PLATED
16	P0162006	PIN-ELECT.MTR.MNT-LONG
17	P0321108	BELT B108
18	P0328016	PULLEY 2BK34H
19	P0328100	PULLEY-DBL-B-13.6"SK
20	P0341924	HUB SK 1-1/2
21	P0391002	KEY 3/8" X 2" LONG
22	P0931005	MOTOR 10HP 3PH 230/460V 1740RPM
23	P1210033	501 SHAFT GUARD PLUG
24	P1211803	PIT GUARD



514 W. Crawford Street
Clay Center, Kansas, 67432 USA
Phone: (800) 523-6993 or (785) 632-2161
Fax: (785) 632-5964
Website: www.hutchinson-mayrath.com
Email: sales@hutchinson-mayrath.com

©Ag Growth International Inc. 2019
Printed in Canada